

Thermal Physics, Acoustics and Environment Department

Ksawerów 21, 02-656 Warsaw,
tel.: 22 5664 133; fizyka@itb.pl
Thermal Physics Section
tel.: 22 5664 269,183; fizyka@itb.pl
Department at Katowice;
al. W. Korfantego 191, 40-153 Katowice
tel.: 32 7302 925; fizyka@itb.pl
Acoustics Section
tel.: 22 5664 311; akustyka@itb.pl
Energy and Environmental Efficiency Workshop
tel.: 22 5664 352; energia@itb.pl
Environmental Chemistry Laboratory
tel.: 22 5796 187; chemia@itb.pl

Warsaw, 17.04.2024

**PORTOS TR7 Spółka z ograniczoną
odpowiedzialnością
ul. Złota 71
62-800 KALISZ**

NZF.410.165.2024 01066.26.JA

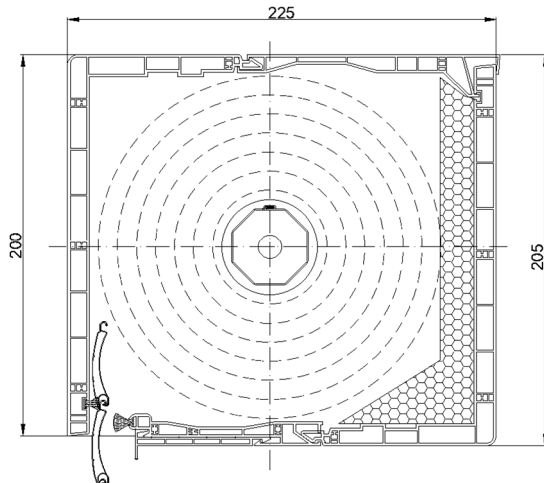
IT CONCERNS: LZF00-00918/24/Z00NZF

OBJECT TESTED: CC1000 top-mounted window roller shutter with a 200 mm box.

TEST RESULT: The thermal transmittance U_{sb} the CC1000 window roller blind with a 200 mm box, shown in the drawing, calculated according to PN-EN ISO 10077-2:2017-10, with dimensions 225 x 205 mm is equal to:

$$U_{sb} = 1.3 \text{ W}/(\text{m}^2 \cdot \text{K})$$

DOCUMENT NUMBER: LZF00-00918/24/Z00NZF



Done by:

M. Sc. Eng. Jarosław Awksientjuk

Manager of Thermal Physic, Acoustics
and Environment Laboratory

PhD Eng. Agnieszka Winkler-Skalna

KI-II