



INSTALLATION OF A PLEATED MOSQUITO NET INSTALLATION ON THE ELEVATION

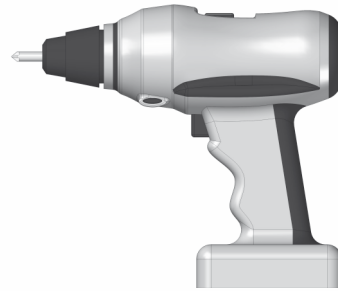
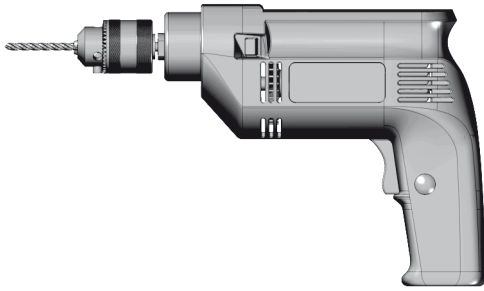


Prior to any mosquito net installation works, read the following installation manual.
All and any changes or modifications to the structure of the mosquito net are permissible only after prior consultation with the manufacturer. The mosquito net must always be installed on even surfaces.
The mosquito net shall be installed only by competent personnel, properly trained in OHS rules and applicable construction laws.

Directly prior to installation, the mosquito net shall be unpacked and checked for completeness of all parts necessary for its installation.

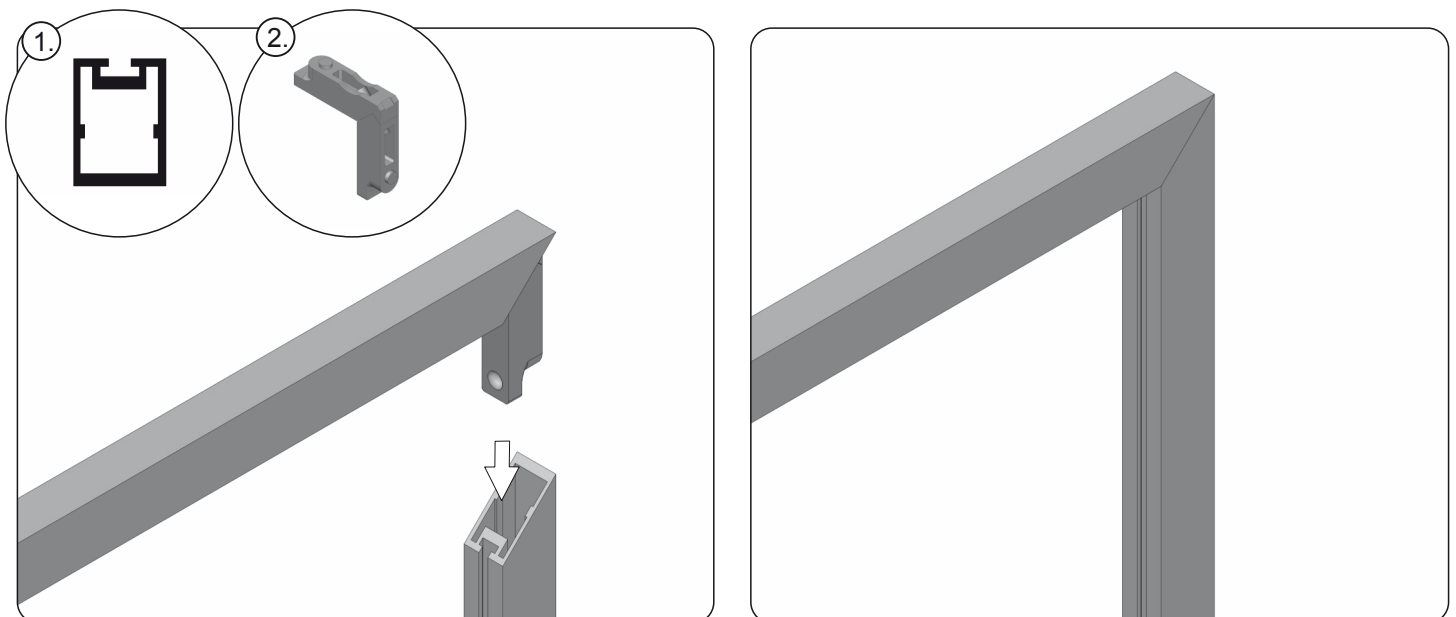
Tools necessary for the installation of the mosquito net:

- Drill-driver
- Drilling machine with a set of drill bits
- Allen wrench 4mm
- Pencil

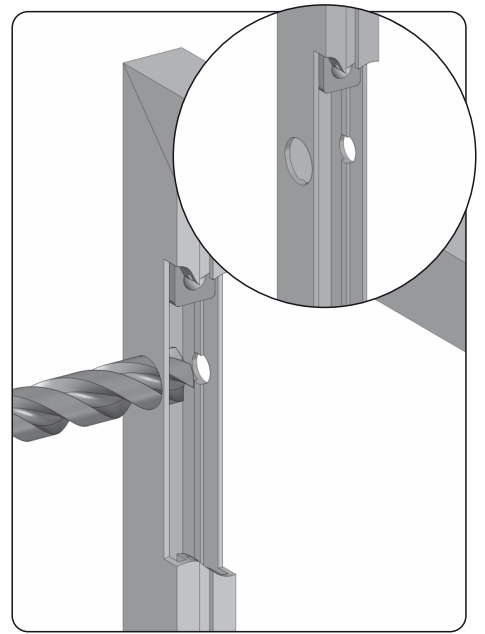
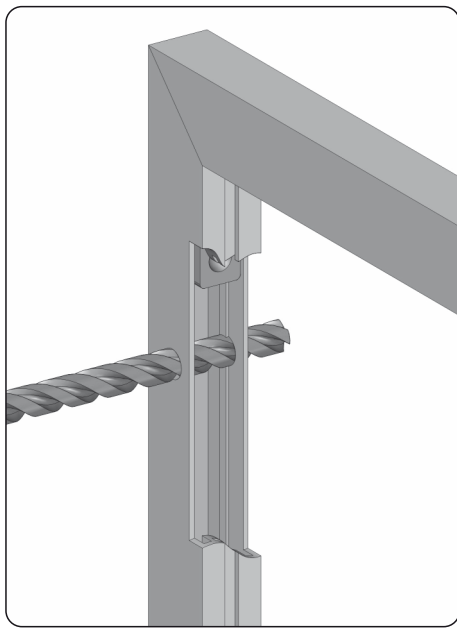
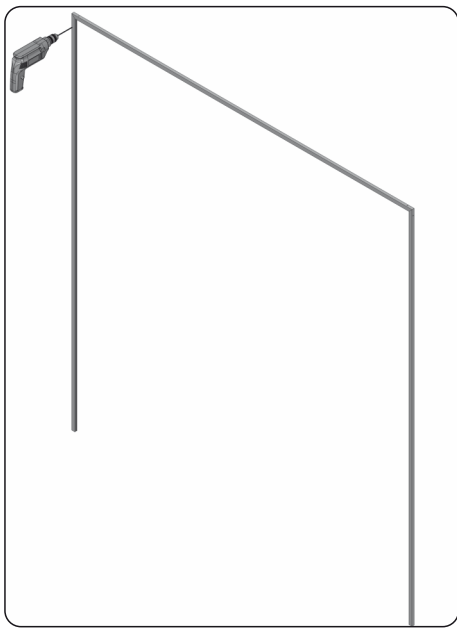


The kit supplied by PORTOS excludes any screws or screw anchors. At the stage of installation, particular attention shall be paid to the cords of the pleated mosquito net. The cords must be of equal length, must be arranged parallelly and must never be twisted together. This is crucial for correct mosquito net installation works.

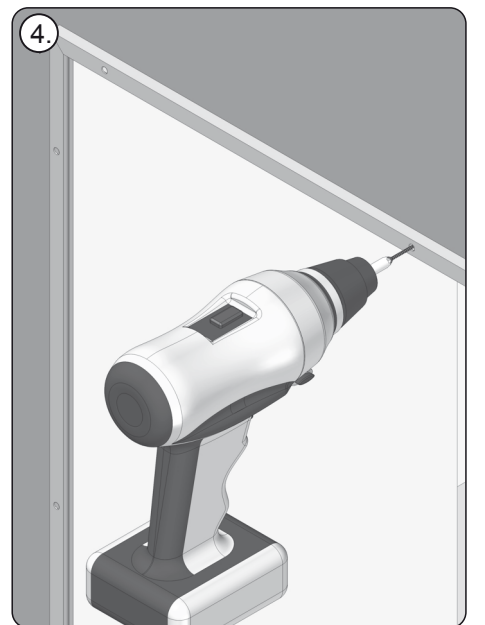
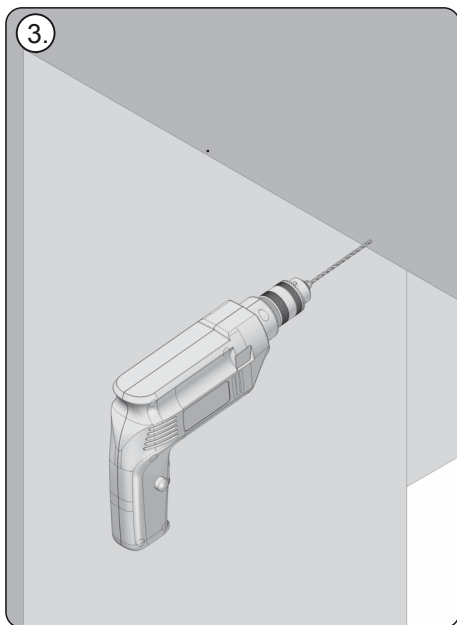
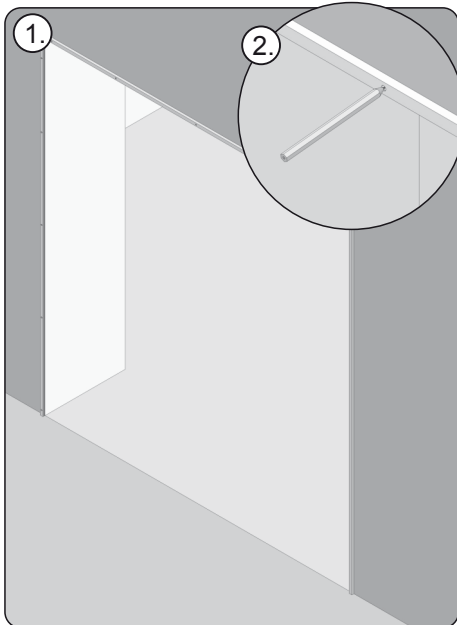
INSTALLATION ON THE ELEVATION



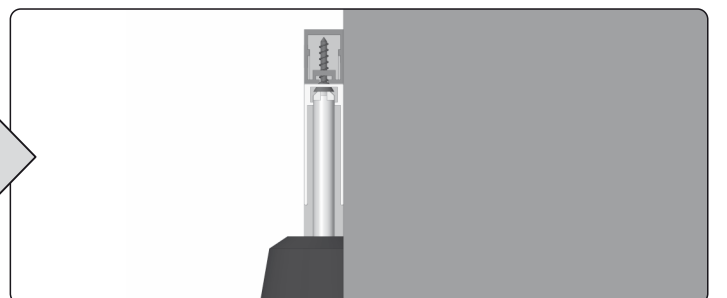
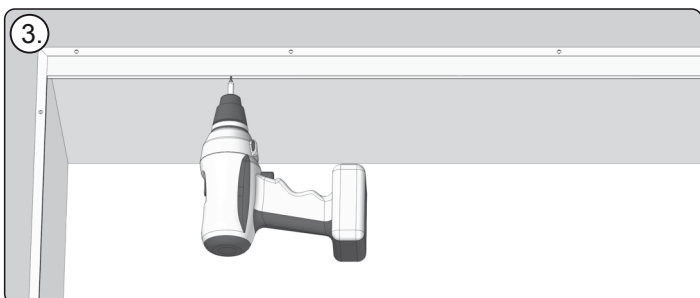
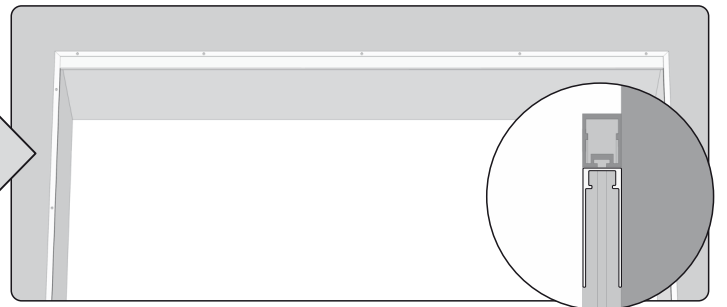
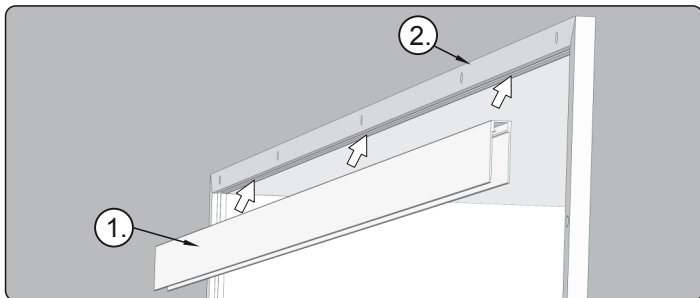
1. Assemble a mounting frame using frontal profiles (1) and connectors (2).



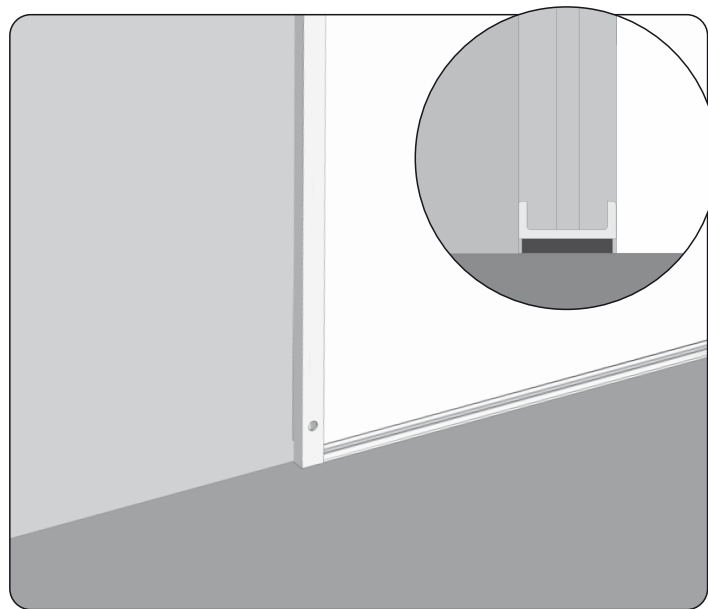
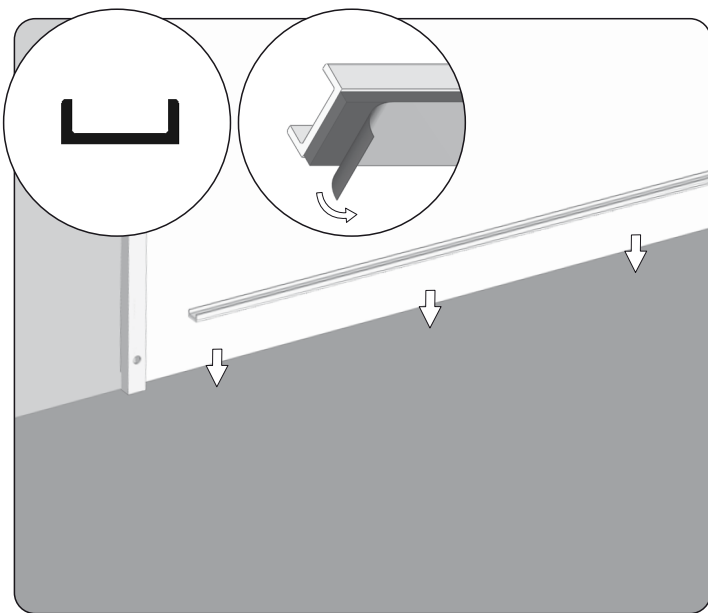
2. Drill the mounting holes every 50 cm in frontal profiles (at least 3 holes per profile): use the 4.2 mm drill bit, drill through both walls of the profile, next drill with the 7.5mm drill bit through 1 wall.



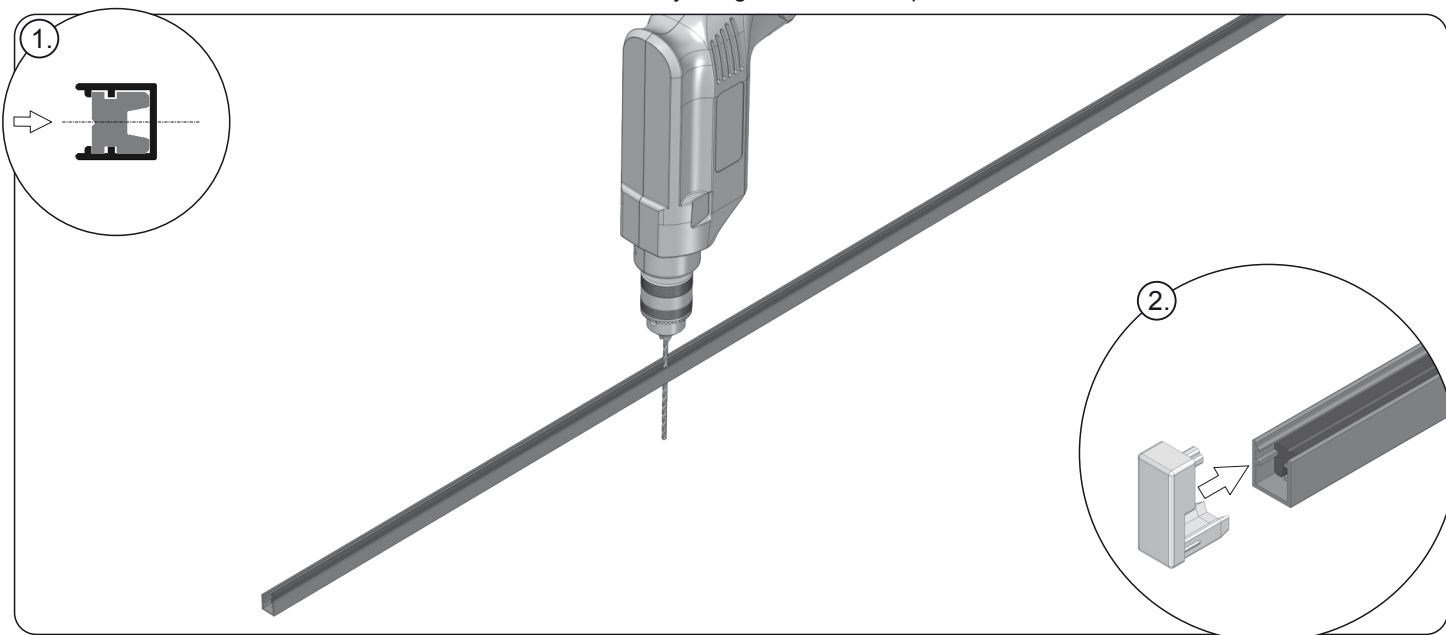
3. Fit the prior prepared frame in the right installation position on the elevation (1). On the wall, mark places for the mounting holes (2). Pull the mounting frame down, drill the holes for the screw anchors (3). Fit the mounting frame and fix it with screws to the elevation (4).



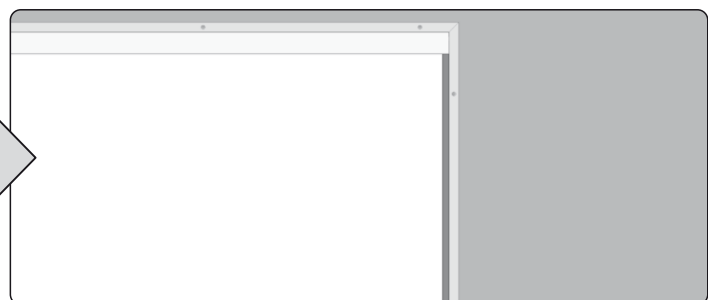
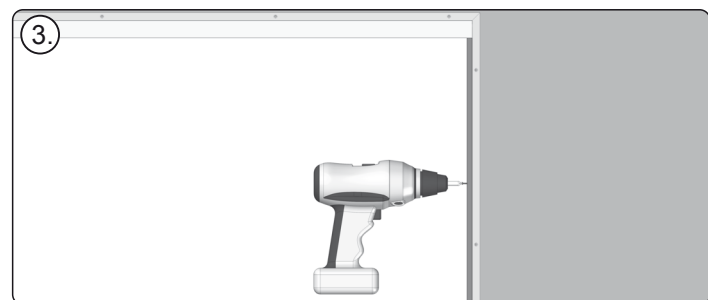
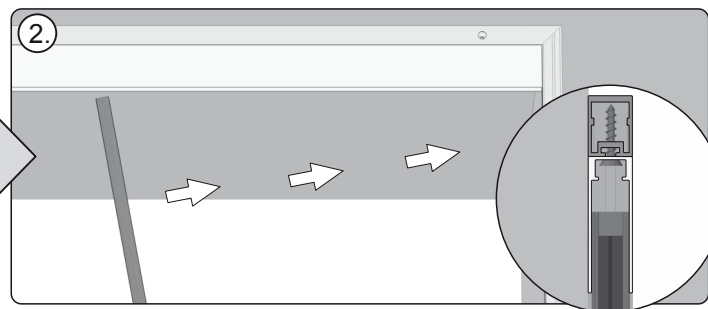
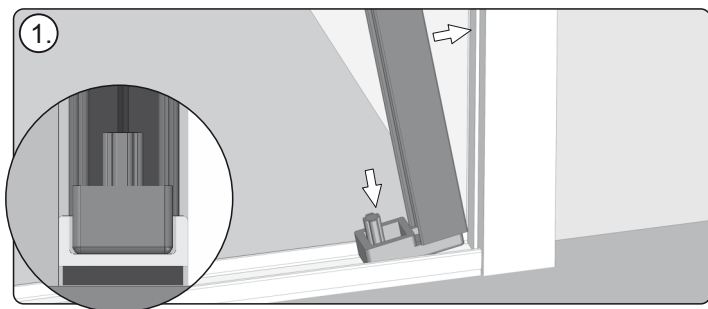
4. Lay the upper slat of the mosquito net (1) over the internal part of the upper profile of the mounting frame (2). Fix the slat to the frame (3) using screws.



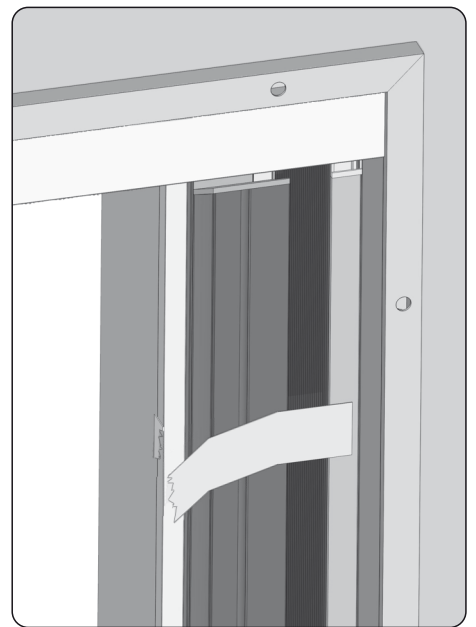
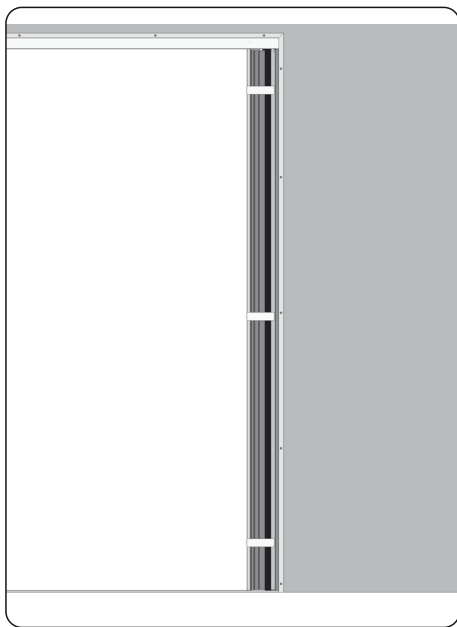
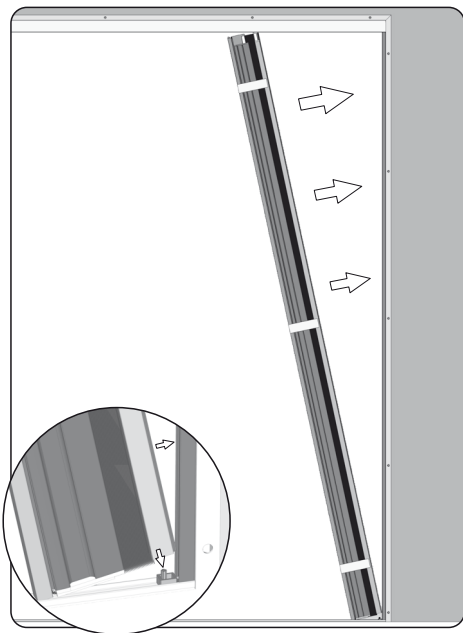
5. The bottom slat shall be attached to the surface underneath by using the adhesive tape at the slat bottom.



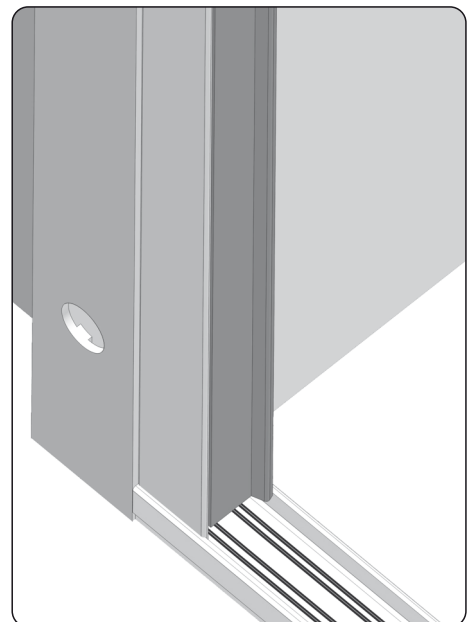
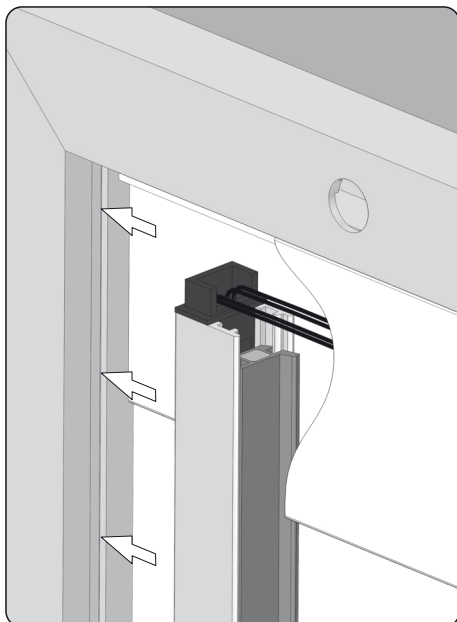
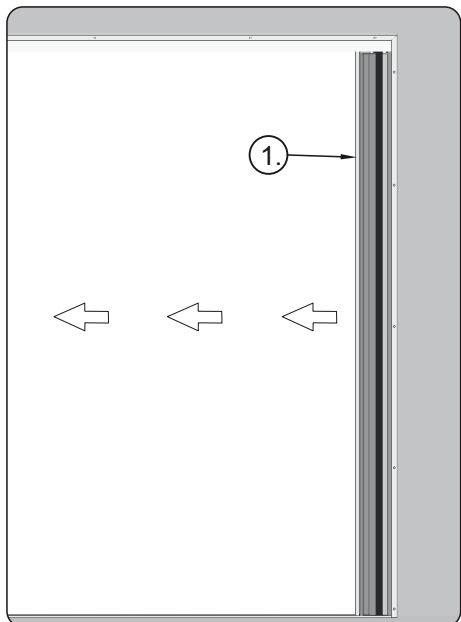
6. Drill the mounting holes in the lateral profile of the mosquito net through the profile and the magnet (1), using the 3.5 drill bit. The holes shall be drilled at every 50 cm and there shall be at least 3 holes in each profile. The bottom part of the profile shall be ended with the end cap (2).



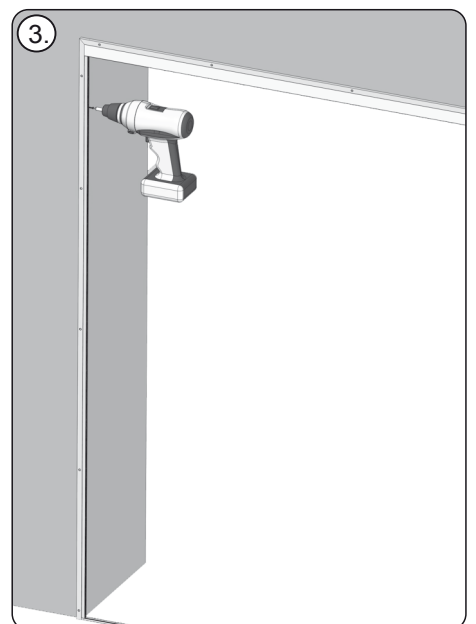
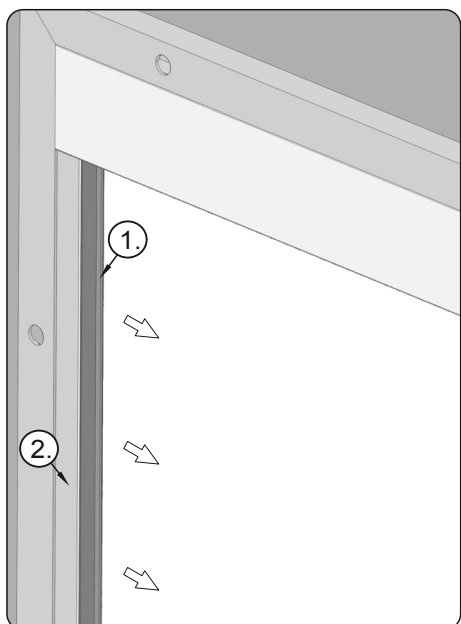
7. First, insert the lateral profile ended with the end cap in the bottom slat (1), by sliding the end cap into the slat, next slide the profile towards the mounting frame at the recess side and make sure that the upper part of the lateral profile gets fitted into the upper profile (2). Screw the lateral profile, ended with the end cap, to the wall (3).



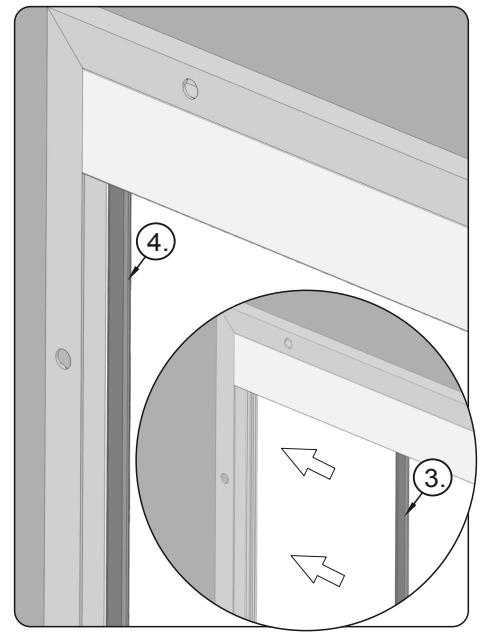
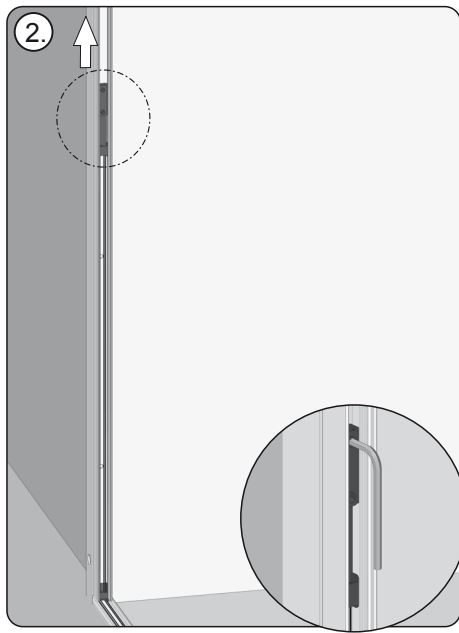
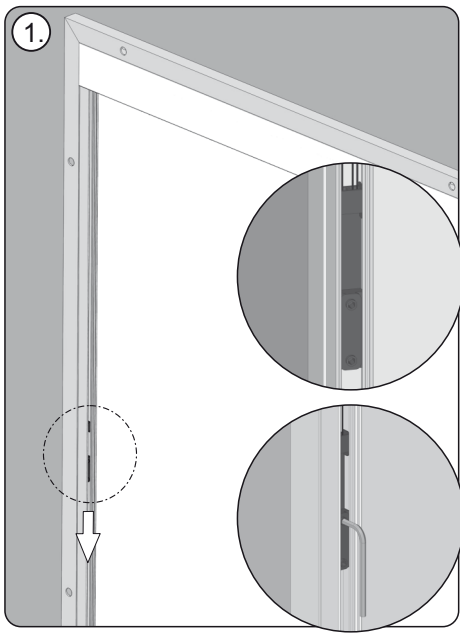
7. Start the installation of the mosquito net package from inserting the bottom part of the profile into the protruding mandrel of the bottom end cap on the lateral profile. Holding the package, remove the protection (paper tape) before unfolding the mosquito net.



8. Slide the end package profile (1) in the direction away from the mounting frame. Particular attention shall at all times be paid to the cords of the mosquito net. They must never be entangled, twisted or bundled.



9. Detach and remove the magnet (1) from the profile (2). All the time, particular attention shall be paid to the cords of the mosquito net. It shall be ensured that they are not in any way entangled, twisted or bundled. Then, using the screws, fix the profile to the mounting frame (3).



10. Stretch the upper (1) and bottom (2) cords so that the mosquito net could work smoothly and the net did not skew during the operation of the mosquito net. Once proper tensioning is obtained, tighten the screw with the Allen wrench. Install the magnet (3) in the profile (4).



**WARNING - FOLLOWING THESE INSTRUCTIONS
IS IMPORTANT FOR THE SAFETY OF PERSONS.
KEEP THESE INSTRUCTIONS**



PORTOS TR7

spółka z ograniczoną odpowiedzialnością

ul. Złota 71

62-800 Kalisz

tel 62 768 40 11

E-mail: sekretariat@portosrolety.pl

www.portosrolety.pl