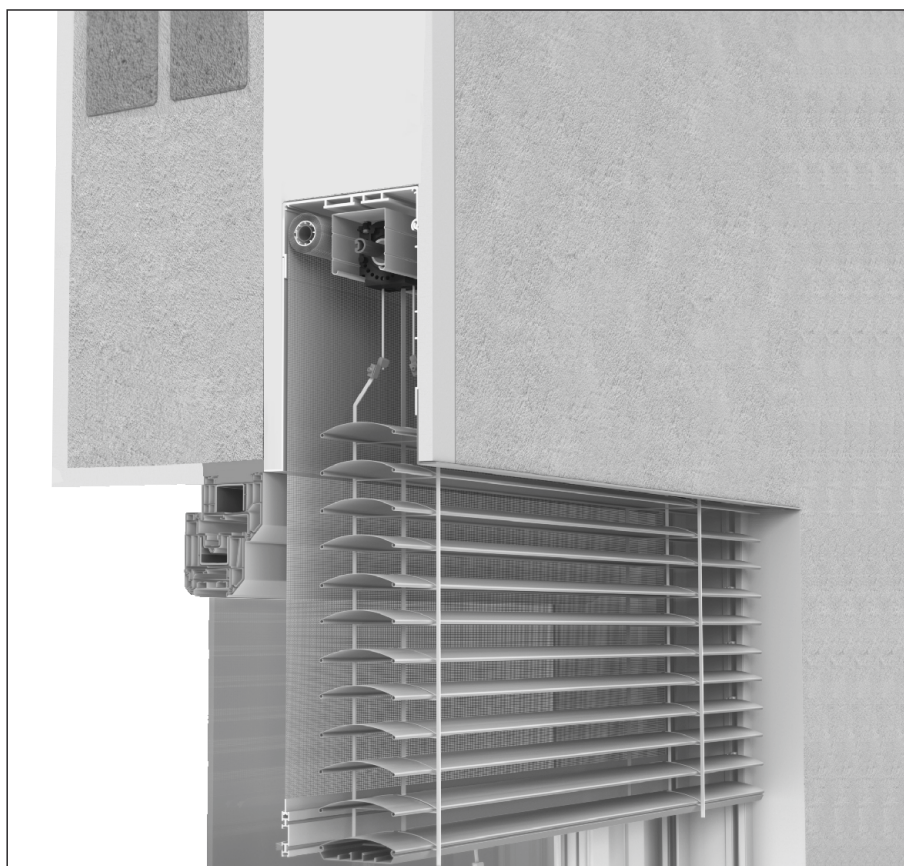


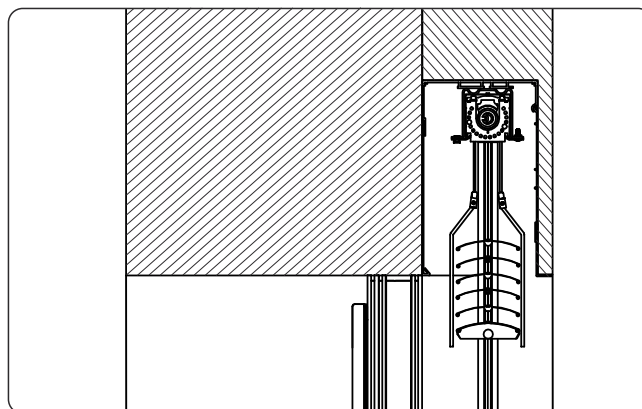
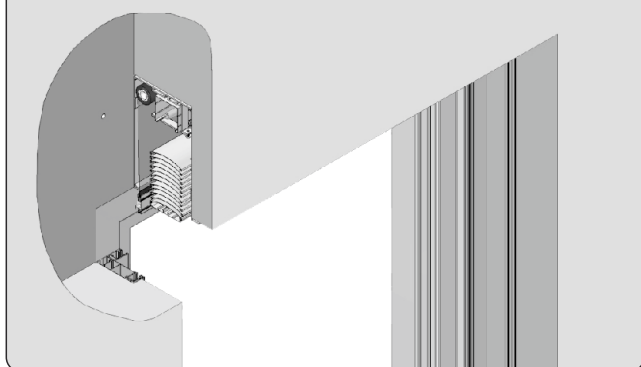


INSTRUCTIONS FOR INSTALLATION AND OPERATION OF THE EXTERNAL BLIND ZF3000[®]-BX

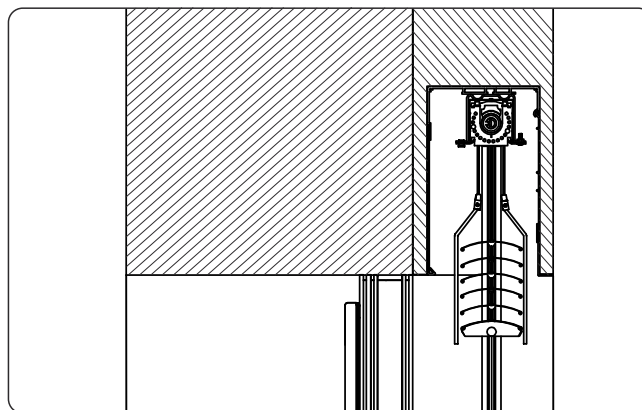
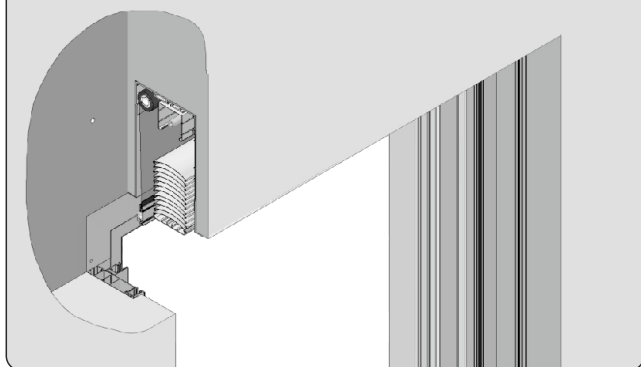


ZF3000[®]-BX BLIND INSTALLATION TYPES

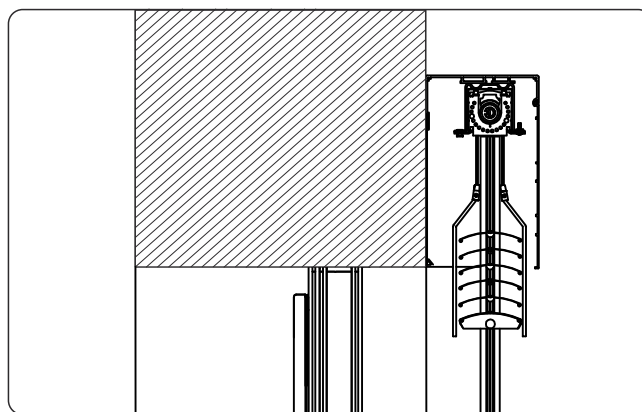
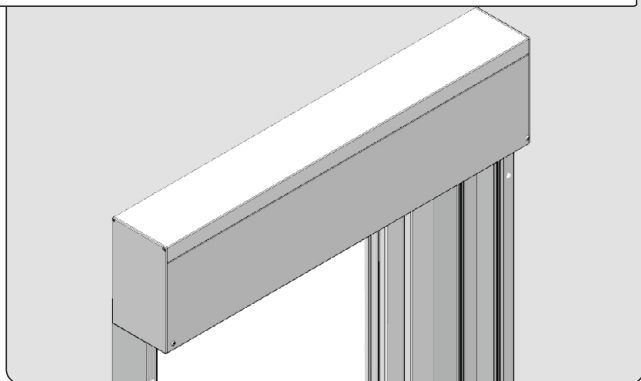
A INSTALLATION TYPE - flush-mounted



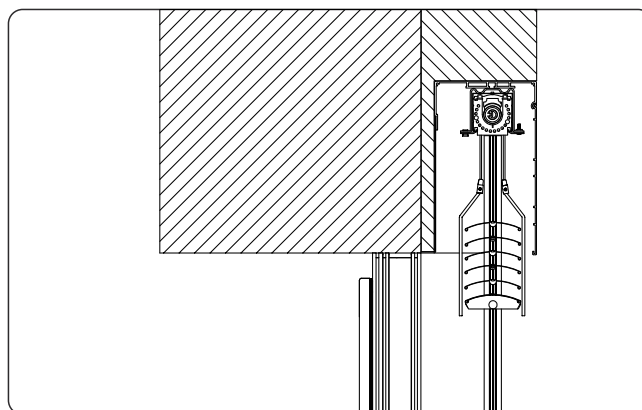
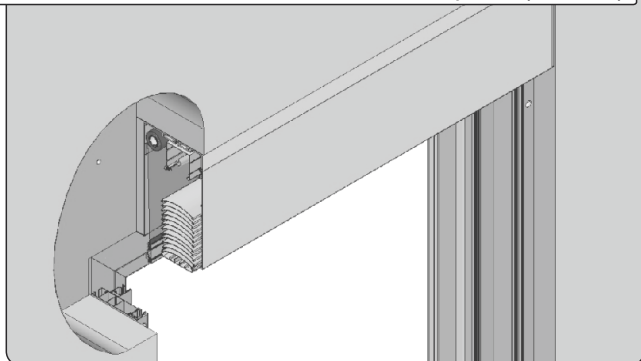
B INSTALLATION TYPE - flush-mounted with a spacer



C INSTALLATION TYPE - on the facade (box 250)



D INSTALLATION TYPE - on the facade with a spacer (box 250)



Before starting installation of the external blind, please read the following instructions.

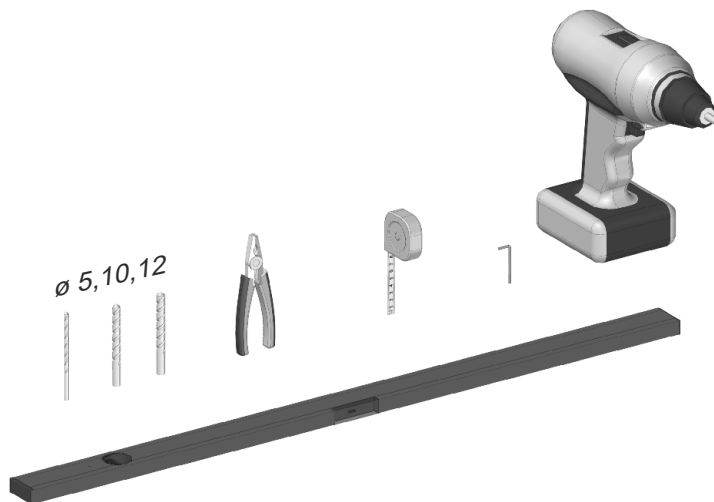
During transportation and storage, the blind should lie horizontally in a place protected from damage to the entire structure. The blind should not be placed on the side wall. Any modifications or changes to the design of the external blind can only be made after consultation with the manufacturer.

Blinds should be installed on an even surface.

Installation of external blinds should be conducted by persons competent in the area of compliance with health and safety rules and applicable building regulations.

In the case of external blinds operated with an electric drive, the installation can only be carried out by a person with appropriate permissions (SEP rights up to 1 kV).

Directly before installation, unpack the blind and check if there are all elements necessary for its installation.

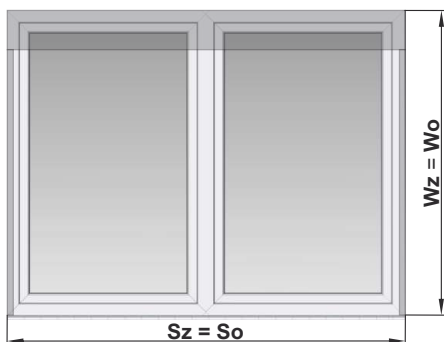


1. Tools needed to install the external blind. The PORTOS company does not provide screws, dowels, cables for placing the electrical installation.

INSTALLATION WITH GUIDES

2. In the case of dimensioning, the smallest dimension taken, is the right dimension.

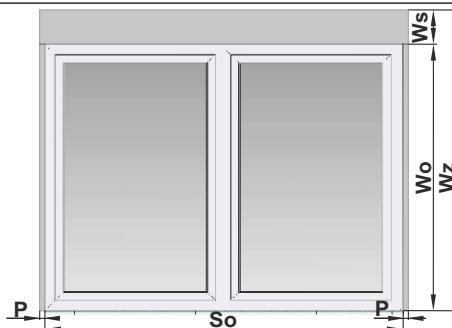
Dimensioning - ZF3000 external blind aluminium guides, installation in the window recess



EXPLANATIONS TO DIMENSIONING:

Sz - blind width, **So** - hole width, **Wz** - blind height,
Wo - height of the hole together with the box height
Sz = So*, **Wz = Wo**

Dimensioning - ZF3000 external blind aluminium guides, installation on the facade/ flush-mounted installation



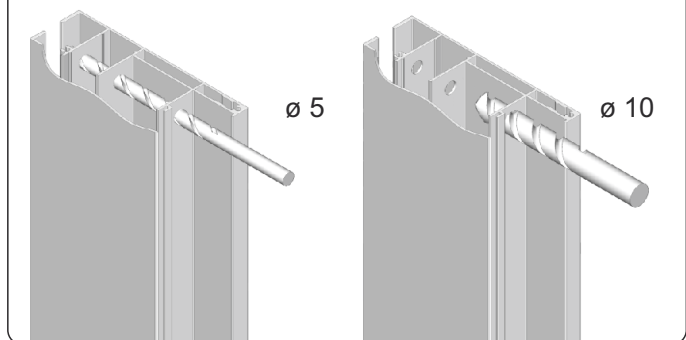
EXPLANATIONS TO DIMENSIONING:

Sz - blind width, **So** - hole width
Wz - blind height, **Wo** - hole height, **Ws** - box height
P - guide width (27mm),
Wz = Wo + Ws
Installation on the facade: **Sz = So + 2 x P**
Flush-mounted installation: **Sz = window width***

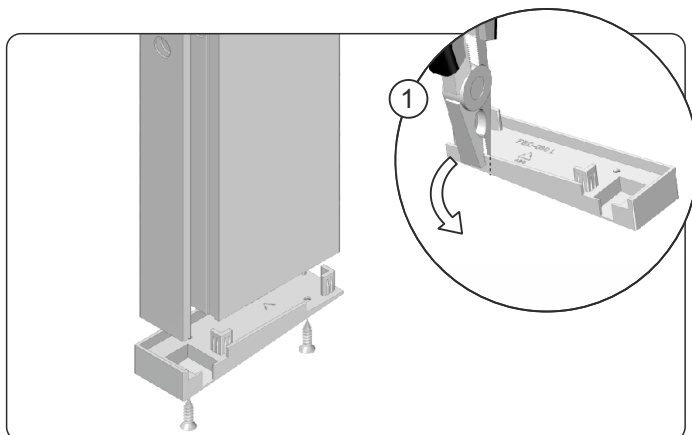
* - It is recommended to take into account the installation clearance for free processing of wood elements.

NOTE - In the case of installation in the window recess, make sure the recess width and height are equal in all points. If they are different, assume the dimension of the minimum or make a proper correction of the hole.

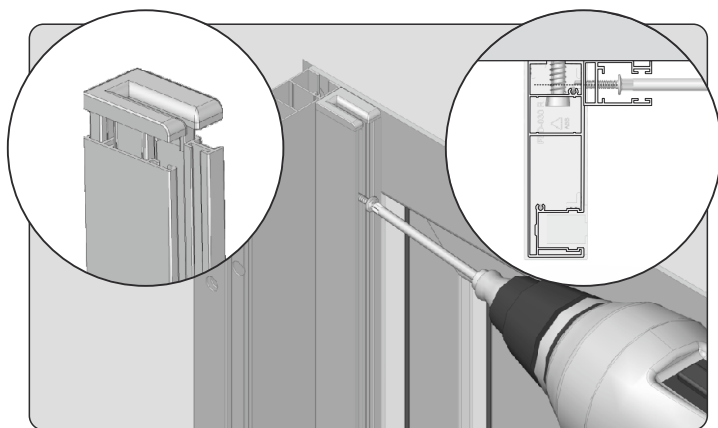
F-FBR-10, F-FBR-20



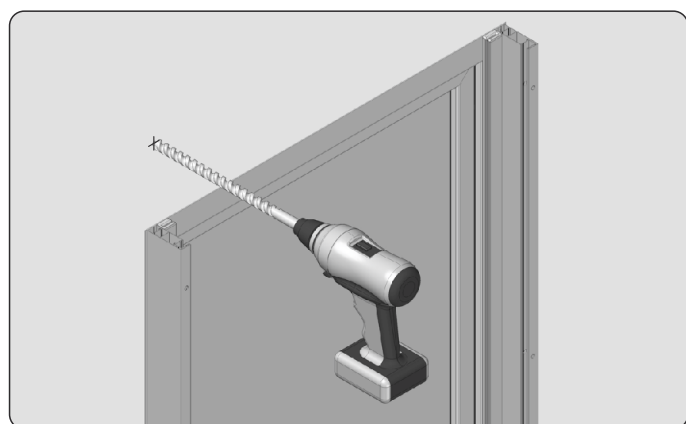
3. Drill holes in the guides. Using a drill of $\varnothing 5$ mm make a hole through all chambers of the guide, and using a drill of $\varnothing 10$ mm increase the hole in first wall on the outer side of the guide.



4. Prepare the guides - screw the bottom plugs to the guides using 3x16 screws. Break out a part of the side wall in the plug of the guide with a mosquito net, as shown in Figure 1.

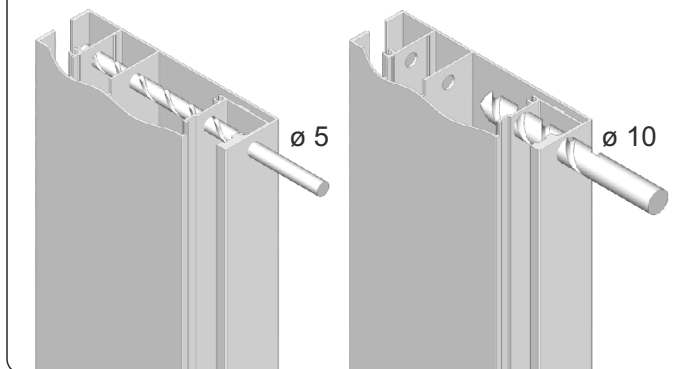


6. In the version of the blind with a mosquito net, fasten the mosquito net guides as shown in the figure above with 4.2x19 screws mounted every 50 cm.

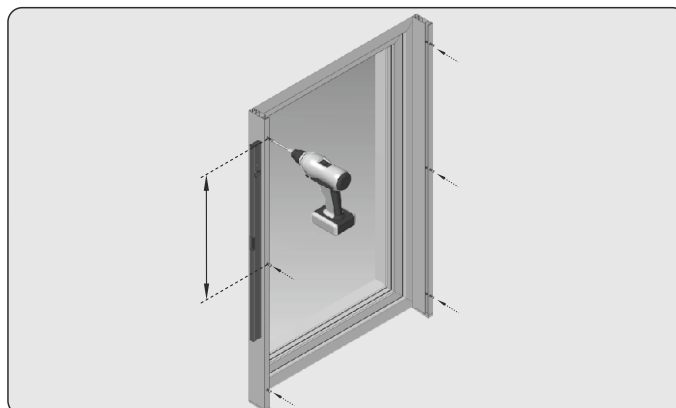


8. Make a hole for the mechanism in the marked place with a drill $\varnothing 12$ mm.

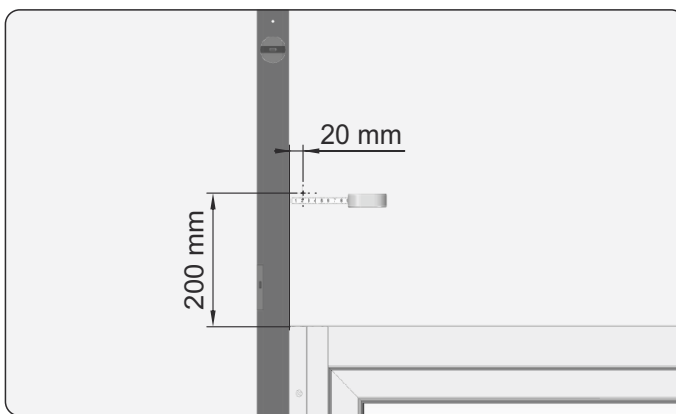
F-FBR-30, F-FBR-40



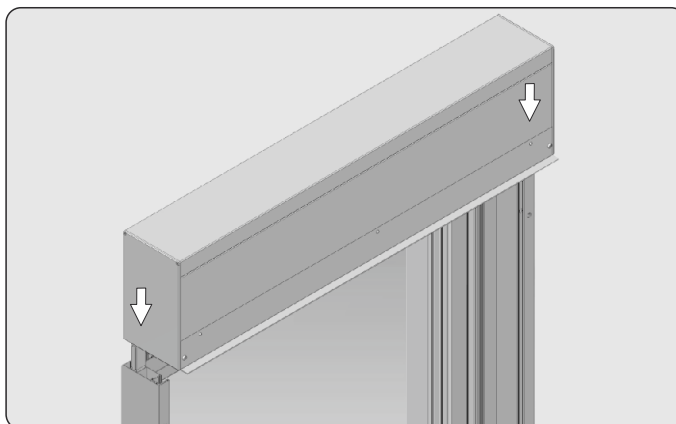
3a. Drill holes in the guides. Using a drill of $\varnothing 5$ mm make a hole through all chambers of the guide, and using a drill of $\varnothing 10$ mm increase the hole in first two walls on the outer side of the guide.



5. Fasten the guides to the window frame with appropriate screws - minimum three per side. (The PORTOS company offers guide drilling free of charge).

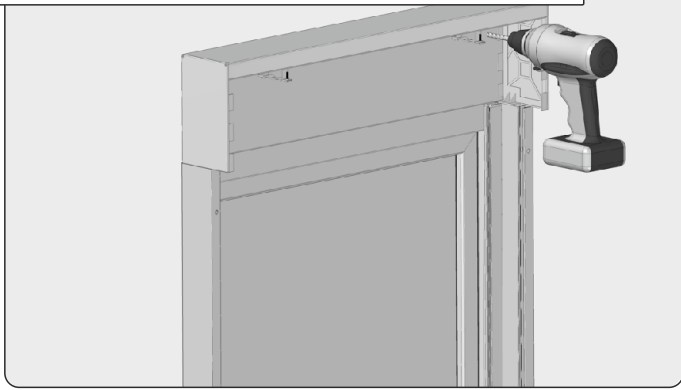


7. Mark the drilling place for the cardan crank mechanism on the wall - 20 mm from the outer edge of the guide and 200 mm from the edge of the window recess/ frame.

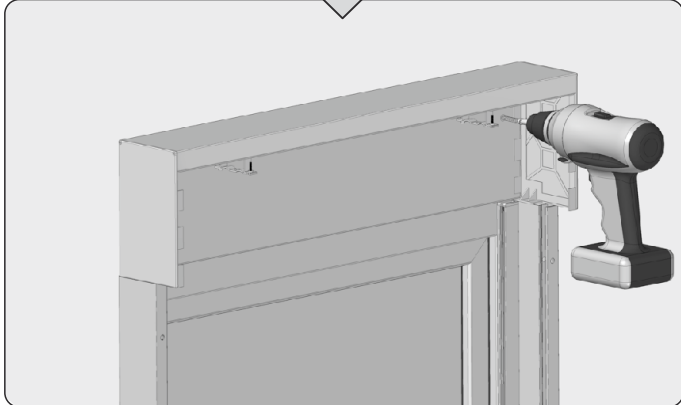


9. Precisely slide the box onto the guides, carefully inserting the side pins into the top of the guides.

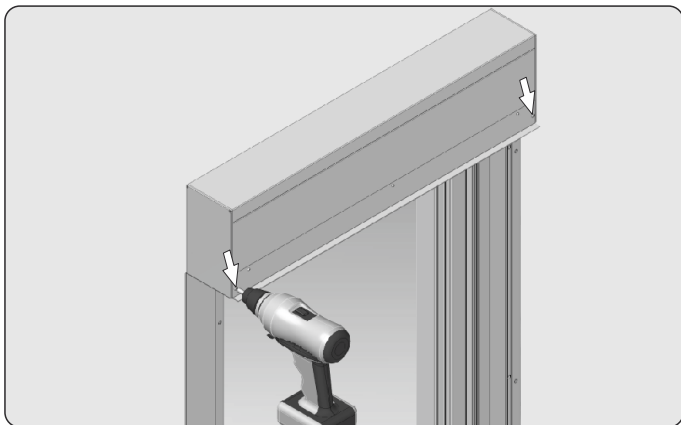
BOX ANCHORING 250 INSTALLATION ON THE FACADE



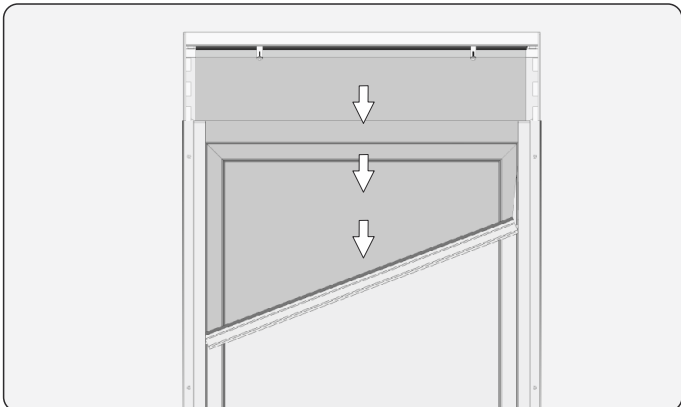
10. Drill holes for mounting pins in the rear part of the box.



11. Screw the box to the wall with appropriate mounting pins.

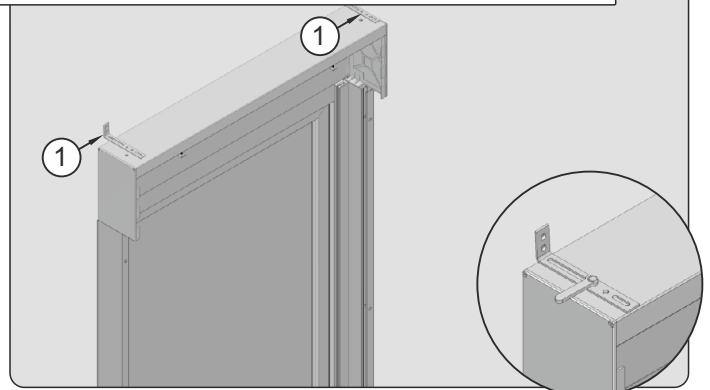


12. To install the package, unscrew the screws fastening the inspection cover.

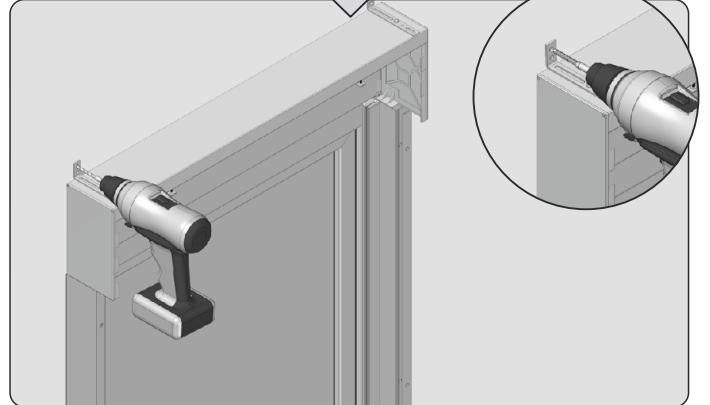


14. Lower the net and, holding the bottom lath diagonally, place the net together with the lath in the guides below the sliders.

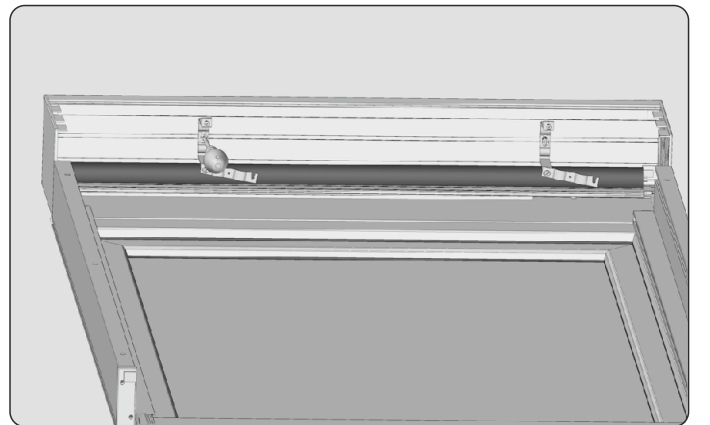
BOX ANCHORING, FLUSH-MOUNTED INSTALLATION



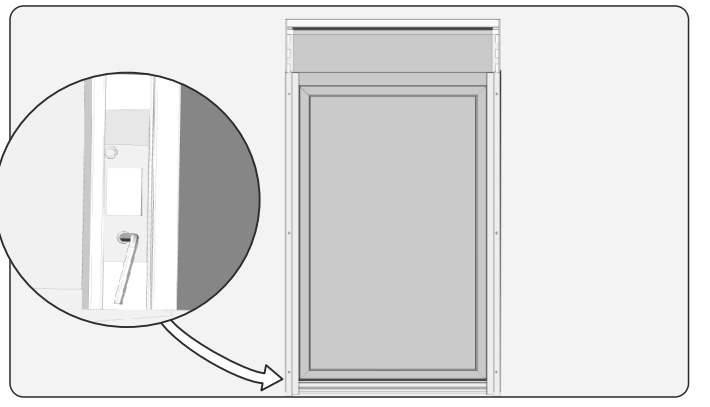
10a. Apply the mounting brackets (1) to the previously prepared holes in the box and screw them with the M6x12 screw (included in the set). Option for an extra charge.



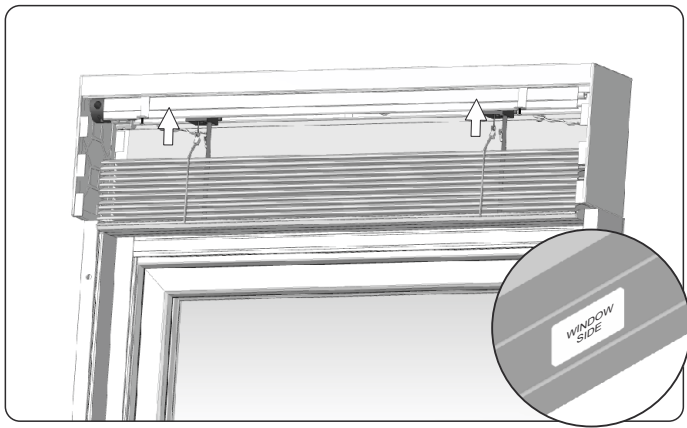
11a. Drill holes for mounting pins through the brackets, then screw them to the wall.



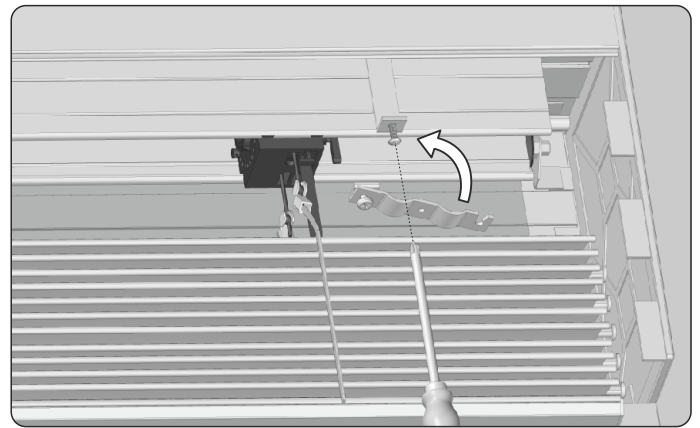
13. Set the top rail handles so that they do not collide with the bearing or the motor.



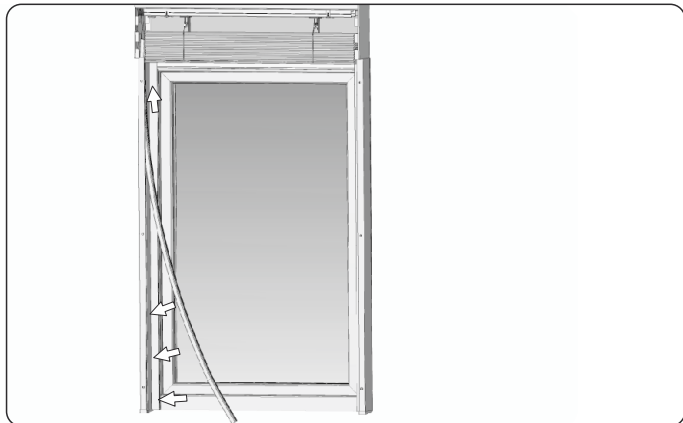
15. Stretch the net and check the operation of the mosquito net. If necessary, adjust the position of the latch clips for the mosquito net in the guides by loosening the clips with a 2 mm Allen key and set them at the appropriate height.



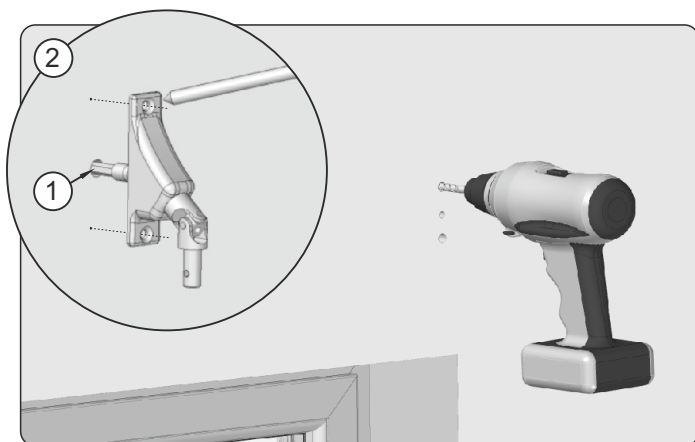
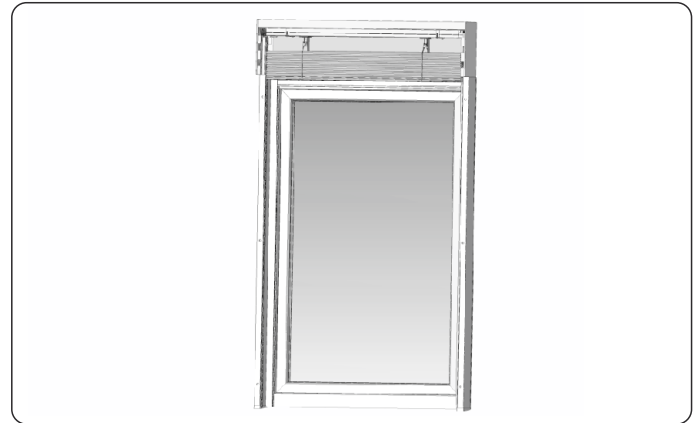
16. Install the blind package into the open handles in such a way that the "WINDOW SIDE" label with information about the installation side, is on the window side.



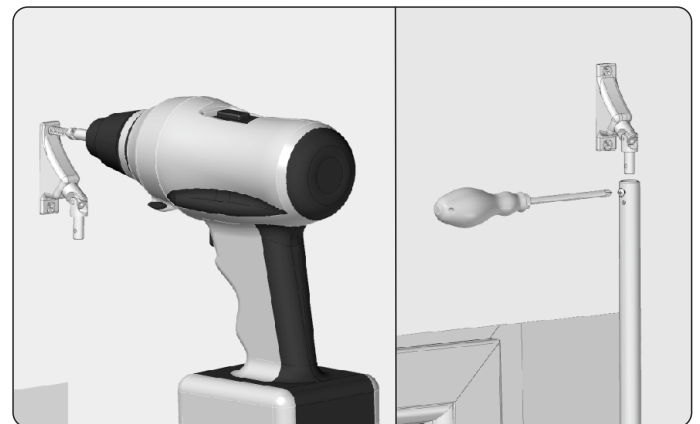
17. Close the top rail handles and tighten the screws.



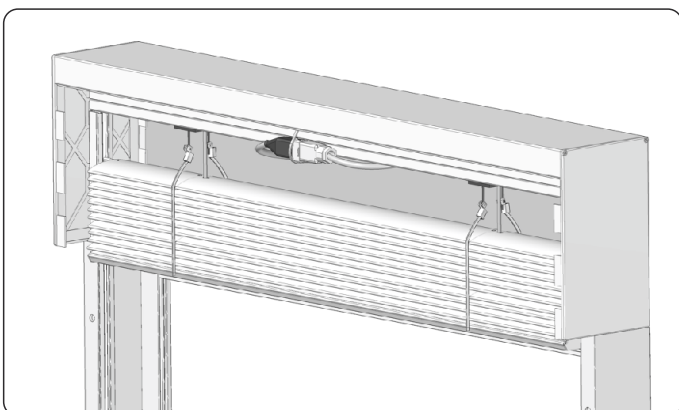
18. Put the guide insert into the guides from the bottom.



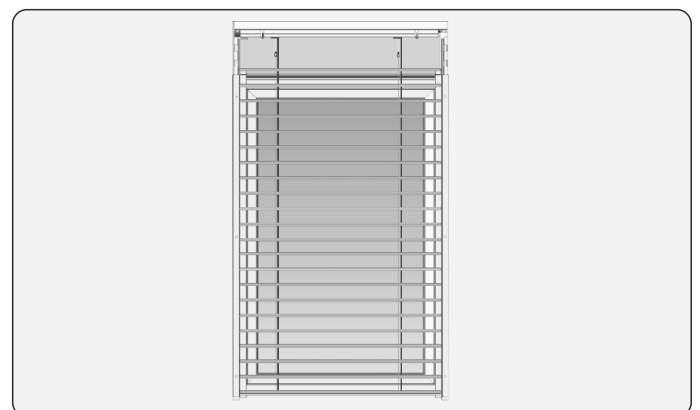
20. To install the crank of the lifting mechanism on the inside, insert the crank pin into the wall (1) into the previously prepared hole as shown in Figure 2. Mark the drilling places for the dowels on the wall. Remove the mechanism, then drill holes for the dowels.



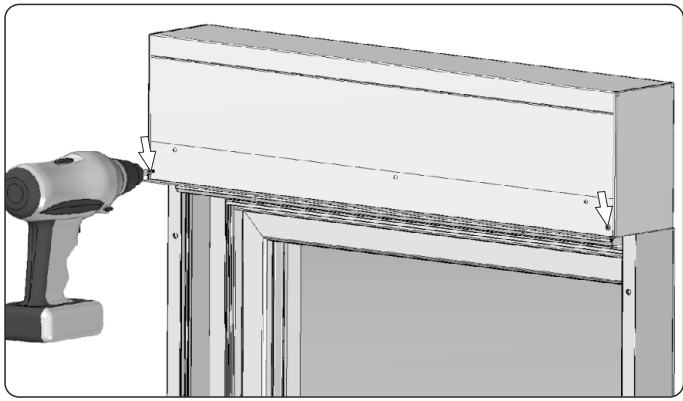
21. Install the crank mechanism by inserting the crank pin into the box through the hole in the wall, and then mount it to the wall using the dowels. Install and screw the mechanism handle.



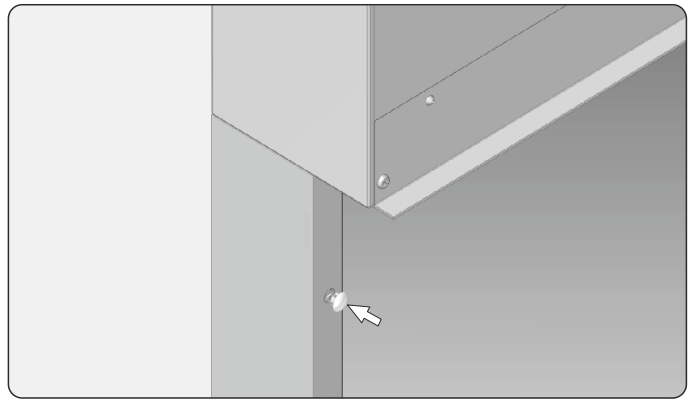
22. If case of the assembly of the box with a mosquito net and an electric drive, the drive wires shall be connected to the front of the box - see the picture above.



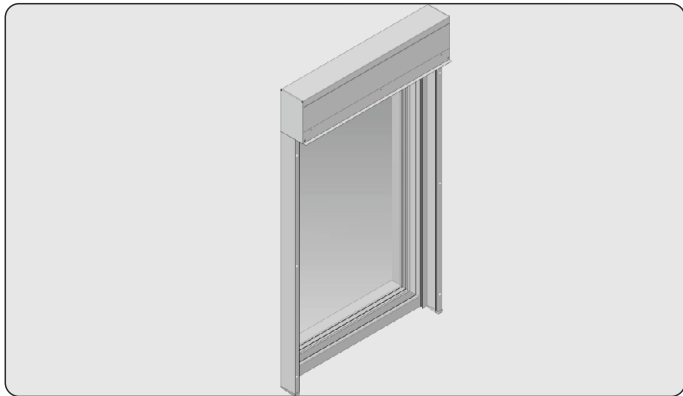
23. Check the correct operation of the blind by lowering and lifting it several times.



24. Tighten the screws fastening the inspection cover.

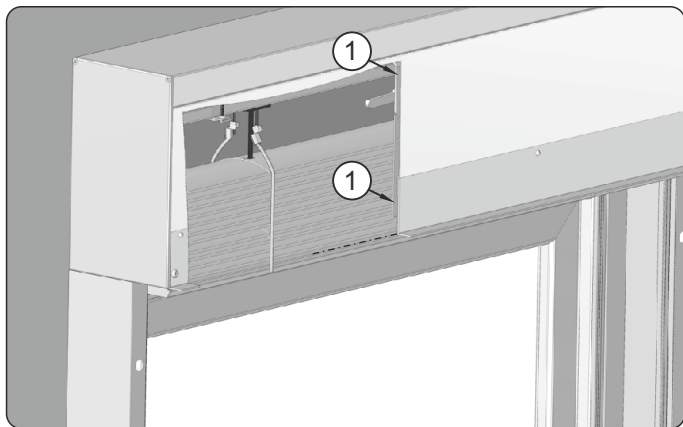


25. After screwing the guides, insert the covering end caps into the holes.

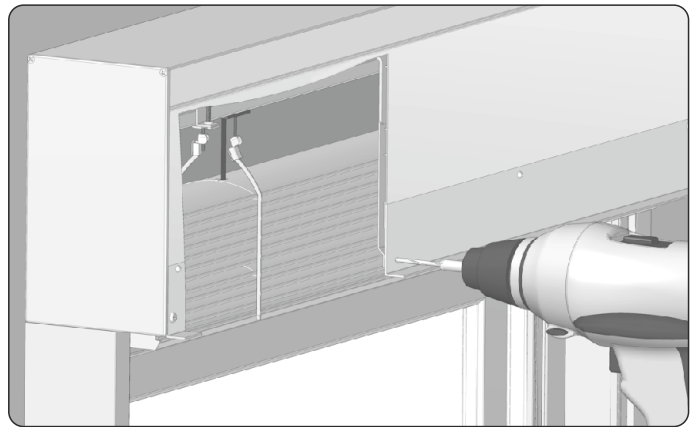


26. View of the ZF3000-BX external blind installed.

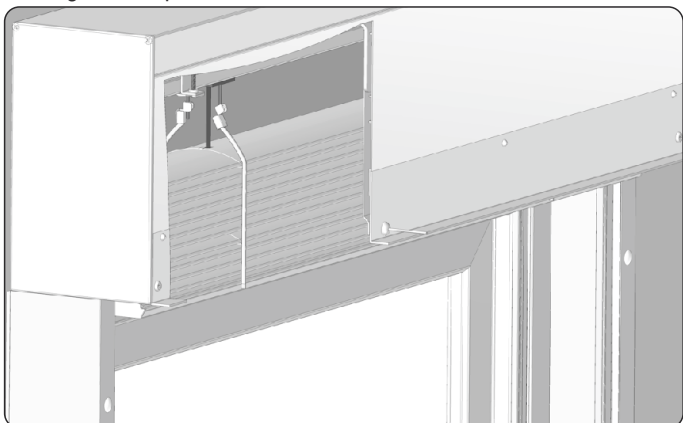
INSPECTION COVER SUPPORT



27. In case of the assembly of the box with an inspection cover support (1), the support extension (2) shall be aligned with the bottom edge of the cover and then, the two parts shall be tightened using an M8 spanner.



28. In the bottom part of the cover drill a hole with a $\varnothing 4$ mm drill to match the opening in the support extension (see the picture above). Be careful not to damage the louvers.

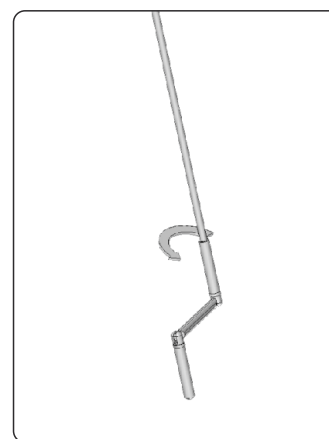
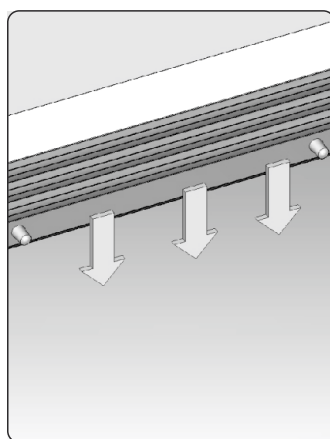
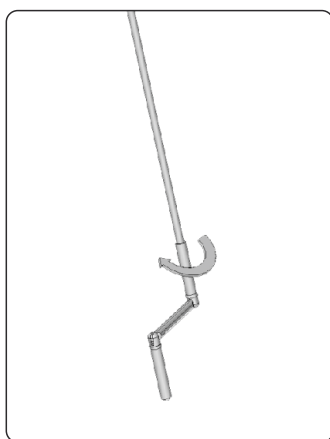
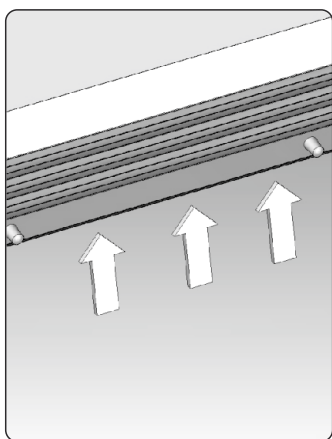


29. Fix the cover and the support with a 4 mm rivet (the rivet is included in the set).

INSTRUCTIONS FOR OPERATION OF THE EXTERNAL BLIND

1. Drive for cardan crank.

The operation of the crank lifting mechanism requires special caution and skills because the gear used allows for obtaining large forces that may damage the elements of the external blind. Therefore, stop turning the crank when you feel resistance or notice that the blind curtain has stopped during lifting or lowering. In external blinds, turning the crank clockwise causes lifting the blind curtain, while turning the crank counter-clockwise causes lowering the blind curtain.



2. Drive for the motor.

Press the key of the remote/ switch with the appropriate marking of the blind movement direction (up/ down). At this moment the blind will start lifting or lowering. To stop the motor operation, press the MY button on the remote (in the case of a switch, release the key or press the key with the opposite direction). When the blind is fully open or closed, the motor will be automatically stopped by the limit switch. Use the scroll wheel on the remote for precise setting the position of the external blind slats.

In case of noticing that the blind curtain has stopped and the motor is still running, stop the motor immediately by pressing the MY button on the remote (in the case of a switch with non-support mode release the key or in the case of a switch with support mode press the key with the opposite direction). The motor has a thermal switch that stops the operation after reaching a certain temperature. The time of continuous motor operation is about 4 minutes. Then, the motor can be turned off until it cools down, i.e. for about 4 to 5 minutes, while the total time needed for cooling the drive is 30 minutes.

Emergency situations:

1. It should be noted that in winter during strong frosts, do not leave the blind partially lifted when opening the window. The difference in temperatures causes the water vapor to deposit on the blind and consequently its subsequent freezing. Therefore, before opening the window, the blind slats should be fully lifted.
2. In winter, slats may be covered with ice and frozen to the ground. An attempt to open a blind in such a situation may lead to breaking of the curtain (especially with the electric drive). In the period of snowfalls or heavy frosts, before activating the blind, check that there is no ice or snow on the window sill or in the guides. If the blind is icy, crush the ice gently or wait for it to melt.
3. During the expected snowfalls or strong frosts it is recommended to turn off the timer control and operate the blinds manually, controlling their opening and closing.
4. In the event of possible strong gusts of wind, it is recommended to leave the blinds with the slats fully lifted.

Maintenance:

The basic rules for the product maintenance consist of cyclical monitoring of the correctness of coiling and uncoiling the blinds, precise positioning of the end positions and cleaning of accessible elements of the product. The blind should be cleaned with a soft cloth using generally available cleaning agents. The use of pressure washers, strong cleaning agents and solvents is forbidden. When cleaning the product, it is absolutely not advisable to use sharp tools and cleaning agents that cause scratches. In the case of cleaning the product, it is unconditionally necessary to prevent the possibility of water getting into the top rail of the product.

Safety regulations:

1. Do not stay in the blind operation area during lifting and lowering.
2. When using the blind, attention should be paid to the condition of the tape and ladder. Their damage may cause the slats to fall automatically and damage to the blind elements.
3. In case of finding any part of the blind damaged or irregularities in its operation, cease its operation and call the service. Using a damaged or a defective blind may result in a risk to the user's health and life.
4. In the case of replacement of damaged elements, use only original spare parts.
5. In the event of a breakdown, it is forbidden to make any temporary repairs.
6. Any work related to the repair or replacement of damaged parts of the external blind may only be performed by a trained person. Self-repair attempts may result in the loss of the warranty.
7. The remote control elements should be stored in places that are difficult to reach for children.
8. Do not use the product with visible signs of damage or wear of the electrical wiring.



**WARNING - FOLLOWING THESE INSTRUCTIONS
IS IMPORTANT FOR THE SAFETY OF PERSONS.
KEEP THESE INSTRUCTIONS**



PORTOS TR7

spółka z ograniczoną odpowiedzialnością s. k.

ul. Złota 71
62-800 Kalisz
tel 62 768 40 11

E-mail: sekretariat@portosrolety.pl
www.portosrolety.pl



PN-EN 13659

All of the certificates of the useful properties
are available on the website www.portos.company