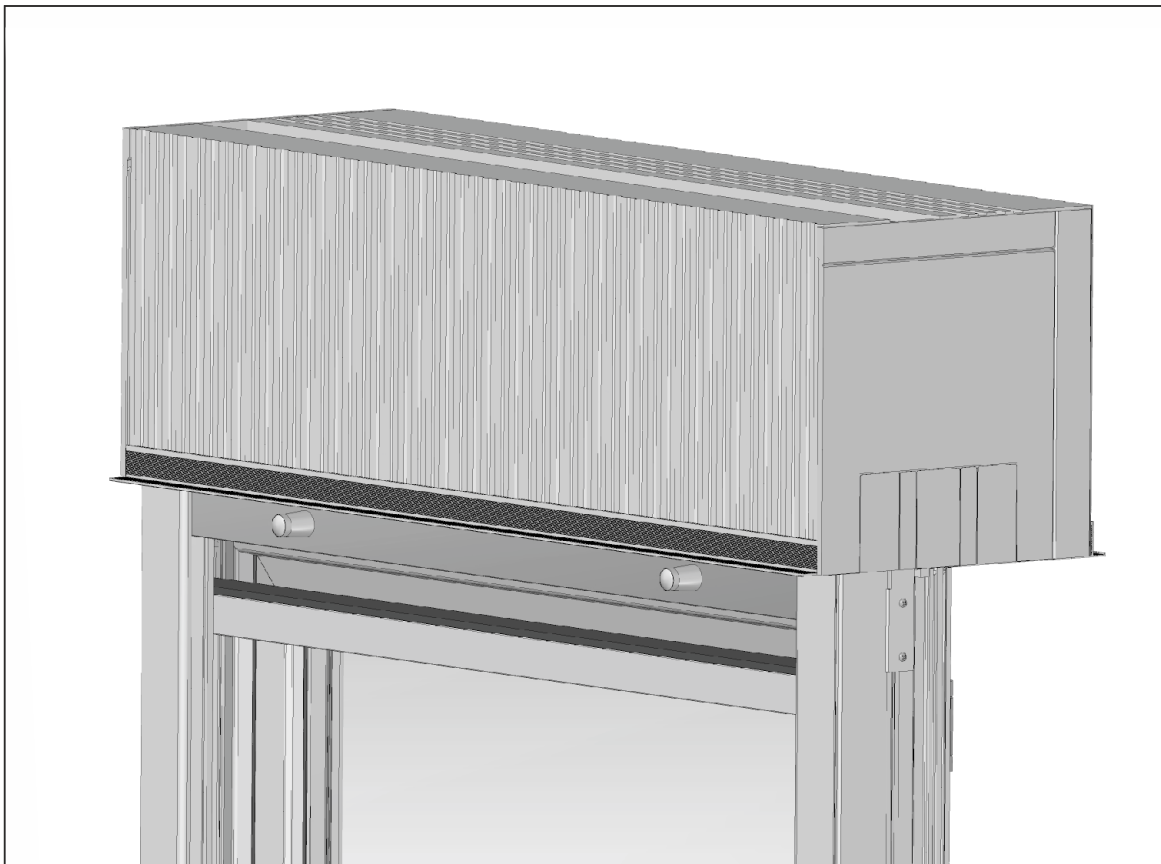
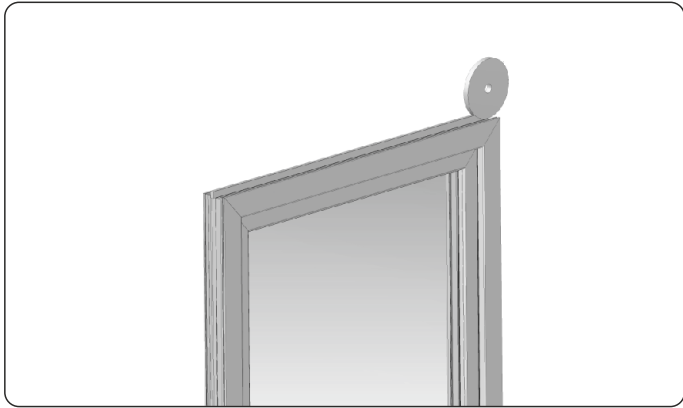




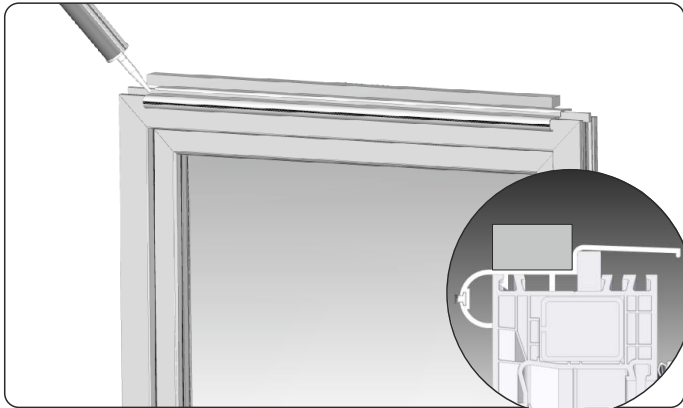
**AN INSTALLATION MANUAL**  
**WALL-MOUNTED ROLLER SHUTTERS**  
**SN5000<sup>®</sup> WITH A MOSQUITO NET**



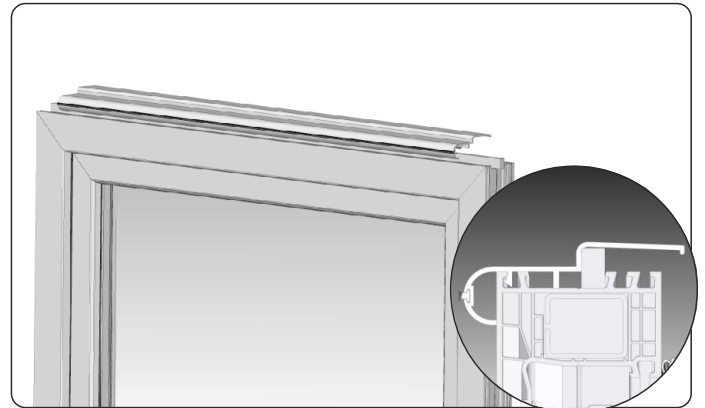
# INTERNAL REVISION (INSPECTION) COVER



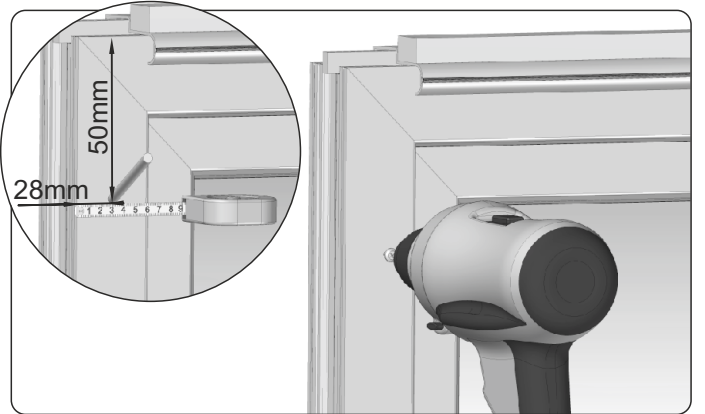
1. Before installation of the lifting yoke, attach PURS STANDARD expanding tape (PORTOS does not include this element in the set, but it is available in our product offering) to the window frame with glue.



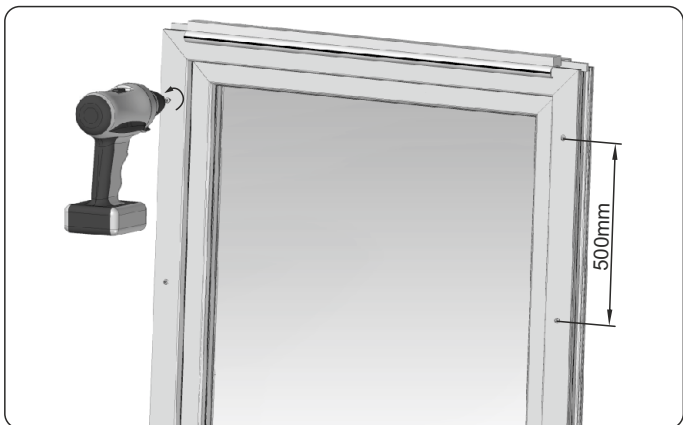
3. Attach the insulation material to the lifting yoke with glue (optional).



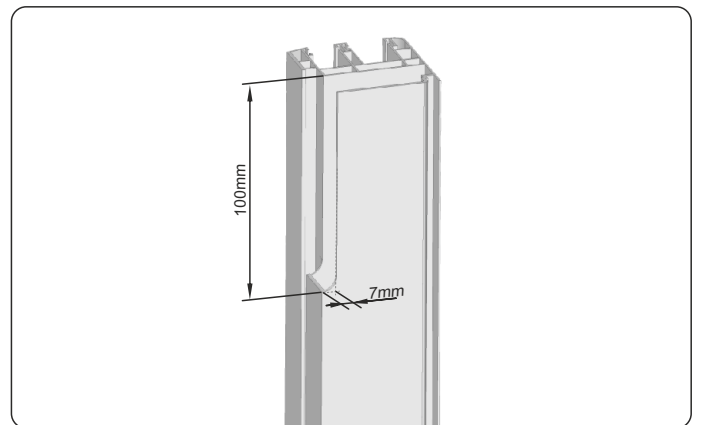
2. The lifting yoke shall be secured to the window profile.



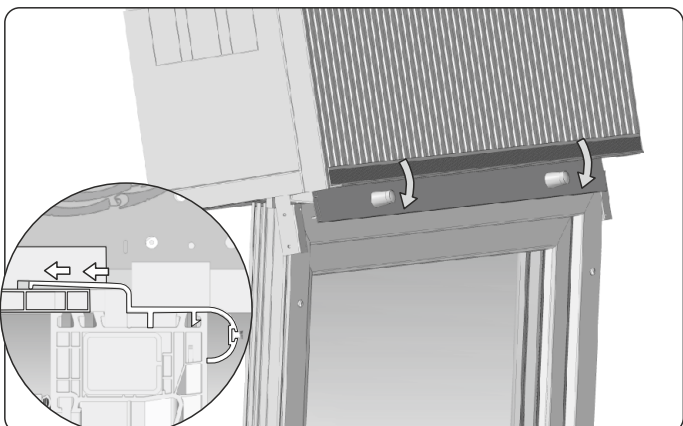
4. Choose where the fixing bolts (fix nipples) shall be fixed by measuring and marking the right distance from the frame edge, as shown above.



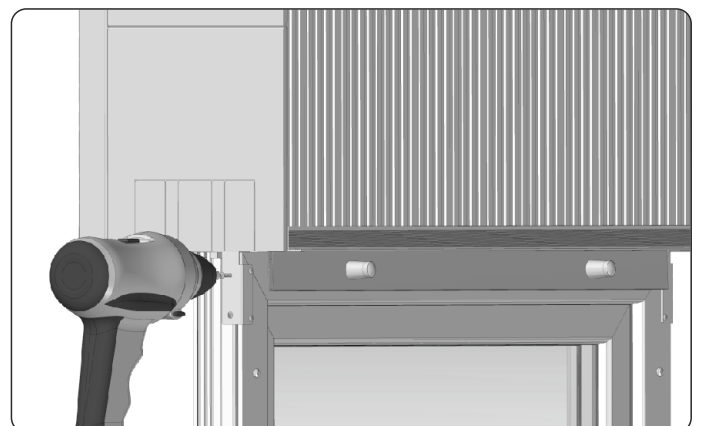
5. The fixing bolts (fix nipples) should be mounted approx. every 50 cm apart, however, there should be at least 3 of such bolts per each side, at the same time 5 cm distance from the bottom and upper edge of the window frame shall be observed. After tightening, loosen the bolt by  $\frac{1}{4}$  of the revolution to facilitate insertion of the guide.



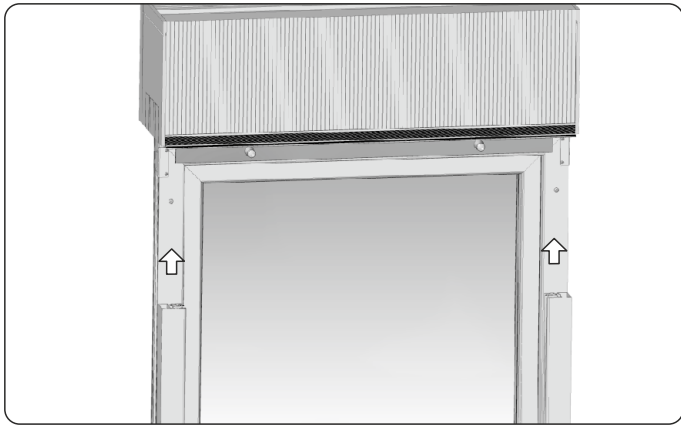
6. Fit sliders in the upper part of the guides by fixing them with assembly glue. All such undercuts are made in PORTOS.



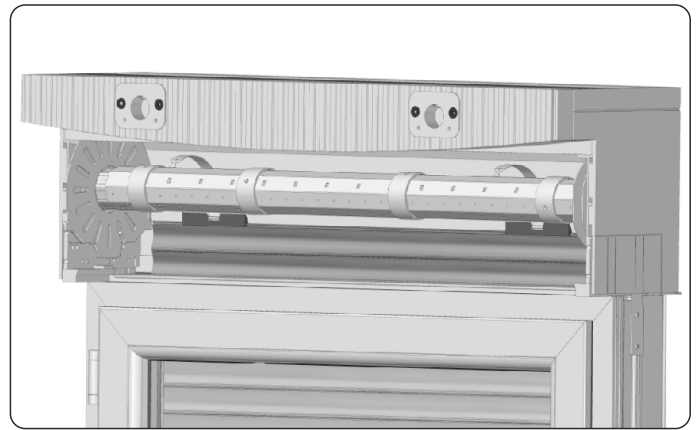
7. Fit the assembled box at the angle of approx.  $60^\circ$  into the lifting yoke secured to the window profile, then position the box evenly on the window frame.



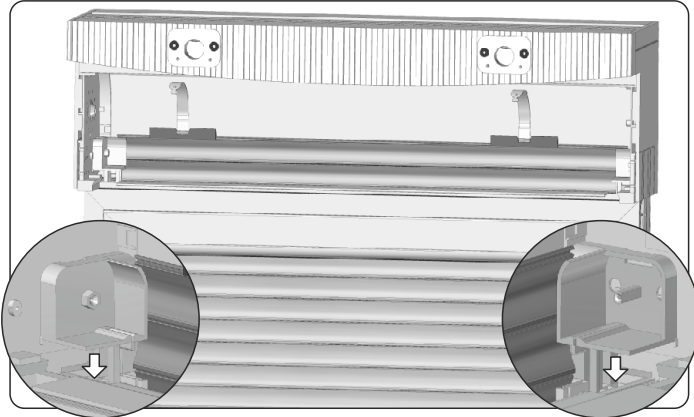
8. Fix the steel side handles to the window using self-tapping screws.



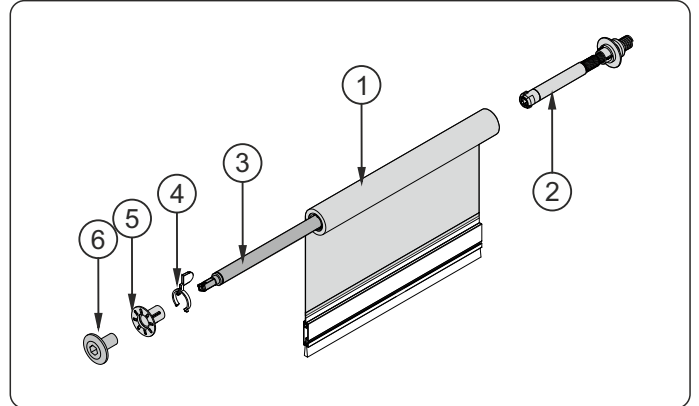
9. Next, slide the guides over the earlier screwed to the window frame fix nipples.



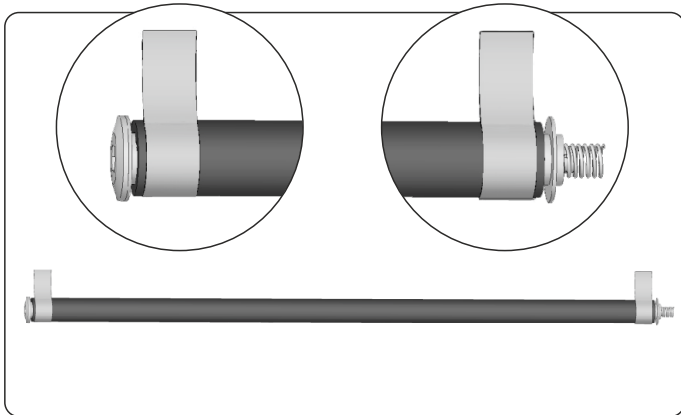
10. Roll down the aluminium shutter profile and detach the holders.



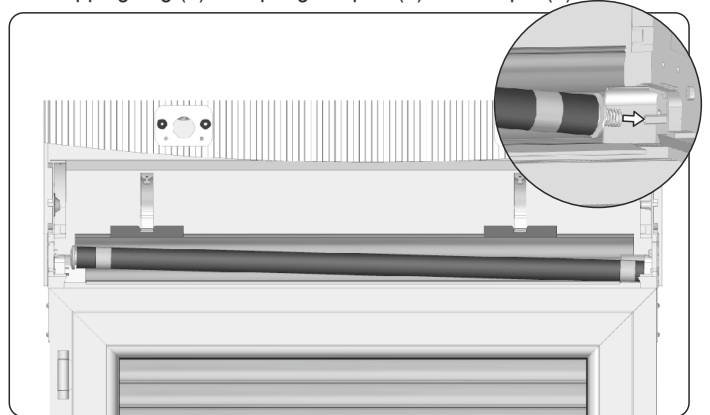
11. In order to facilitate the installation of the mosquito net fixing handles, remove the winding bar from the box. Fix the mosquito net handles in the guide grooves, as shown in the picture above.



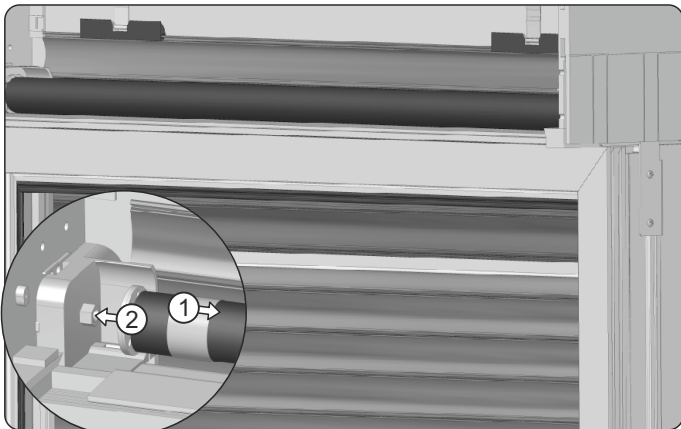
12. Roll the mosquito net as shown in the picture - into the net roll, (1) from the right side (looking from the inside of the room) insert the mosquito net brake, (2) and from the left side: the spring (3) the stopping ring (4) the spring adapter (5) and the pin (6).



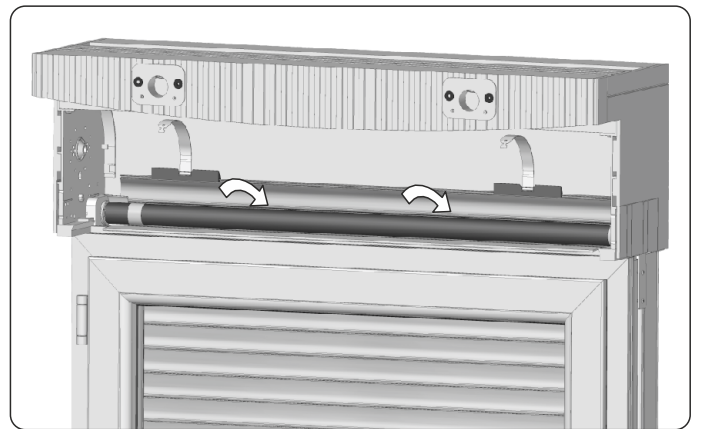
13. Wrap the ends of the net with adhesive paper tape, which will facilitate the spring winding.



14. Insert the end of the spring into the hole in the mosquito net handle.



15. Fix the mosquito net from the side of the brake - shift the whole set to the right (1) position the mosquito net from the side of the brake in the right place so that the mandrel of the slider (2) is exactly in the socket of the brake and release it.

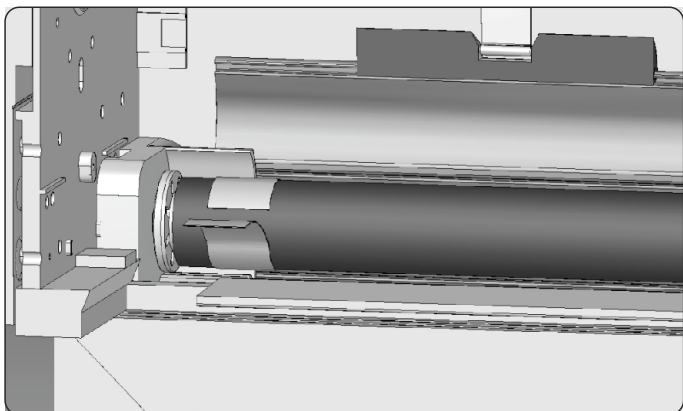


16. Roll down the mosquito net, thus, winding up the spring. Refer to table 1 (page 4) to choose the right number of revolutions.

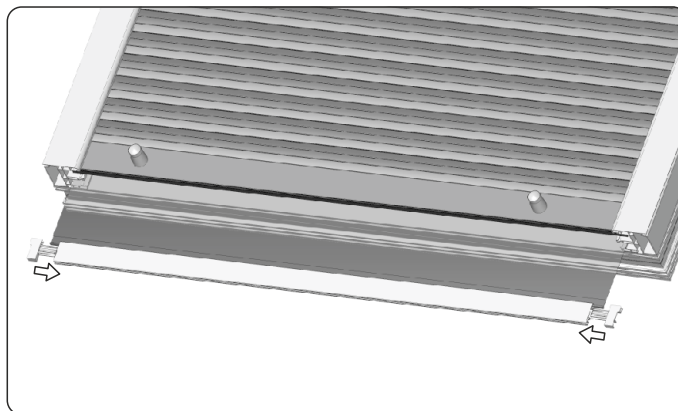
**Table 1. Mosquito net spring winding – Wall-Mounted Roller Shutters SN5000**

Length of the roller shutter [cm]	Width of the roller shutter [cm]							
	55-60	60-65	80	100	120	140	160	180
Up to 250	12	15	16	16	20	22	22	26

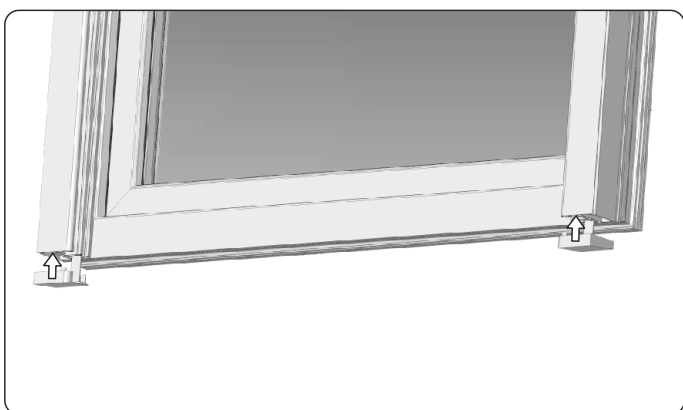
\* - tolerance of mosquito net spring winding +/- 2 revolutions.



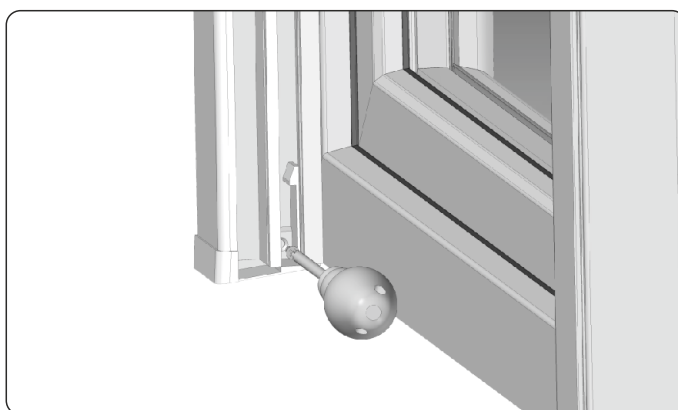
17. Holding the net, remove the anti-roll protection tape (paper tape).



18. Roll down the mosquito net so that the rubber seal is positioned below the ends of the guides, then slide the bottom slat. Place bottom end caps over the ends of the bottom slat.



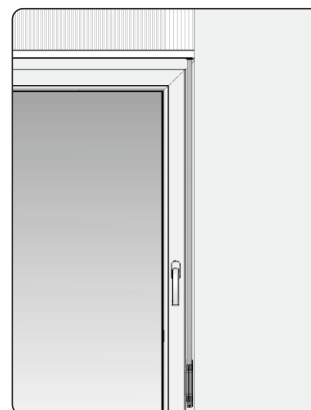
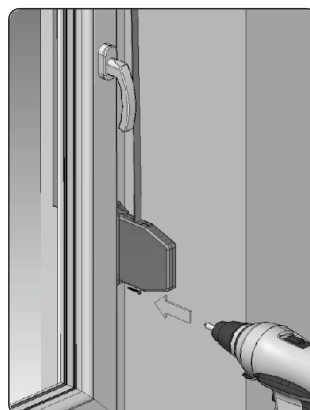
19. Place the bottom end caps over the guides...



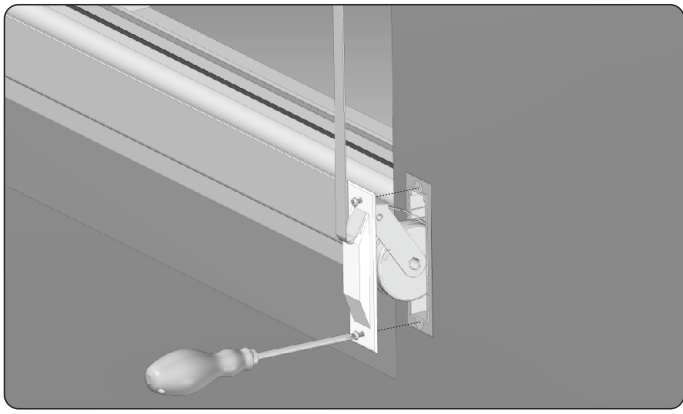
...Then, fix them with a bolt to the guide.



20. The ready set shall be installed in compliance with installation instructions in the earlier made recess. Before final anchoring of the shutters, their vertical and horizontal alignment shall be verified.

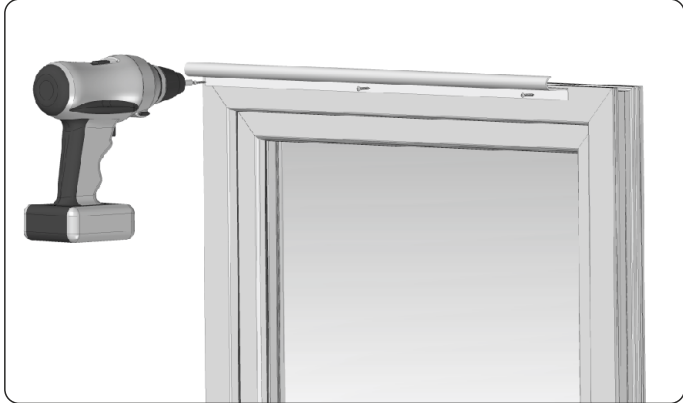


23. Winder should be situated at the level from 0.9m to 1.3m from the floor. Roll down the aluminium shutter profile, and then cut the tape so that its length is 25 cm below the position in which the winder is installed. Extend the tape through the winder casing opening, cut the tape and hook to the clip. Holding tightly the spring casing, turn and release the winder stopper by pushing it. Close the winder and fix it to the wall (see the installation manual of the tape winder). In case of electrically driven roller shutters, connect power control elements and power supply in compliance with the installation manual of the drive/motor and according to the technical requirements applicable to such connections. All electrical elements should be connected by a properly licensed person.

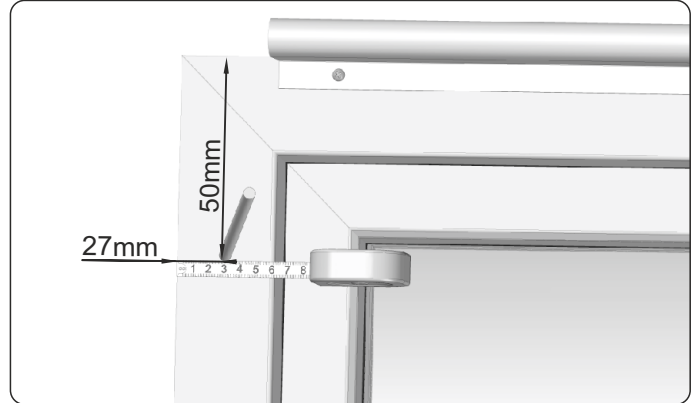


22. Fix the tape in the winder, then insert the winder into the casing and fix the masking plate.

## EXTERNAL REVISION (INSPECTION) COVER



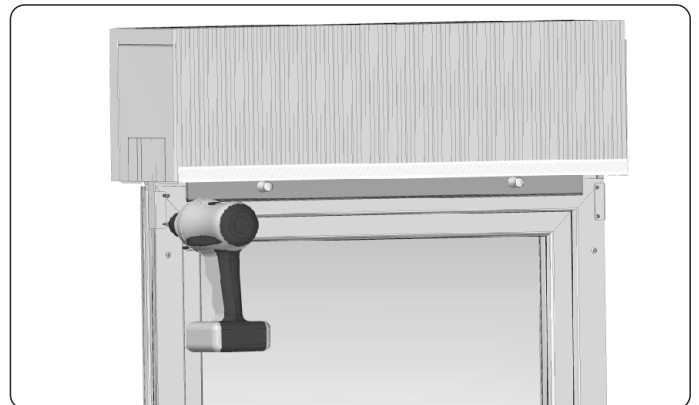
1. Fix the external revision (inspection) cover to the front of the window profile using bolts, as shown in the picture.



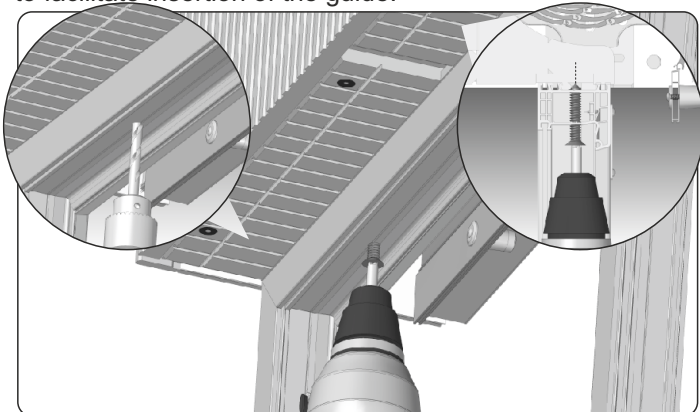
2. Choose where the fixing bolts (fix nipples) shall be fixed by measuring and marking the right distance from the frame edge, as shown above.



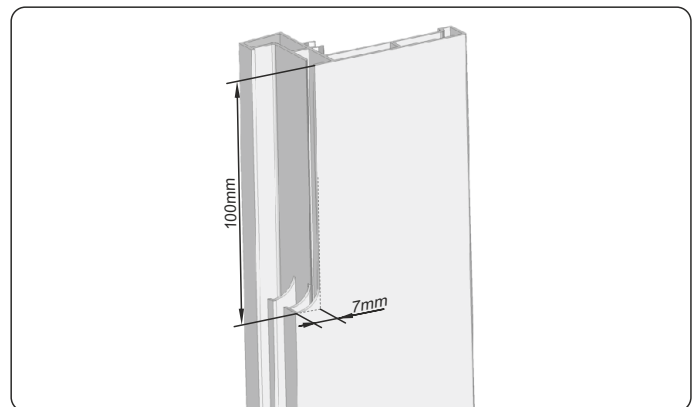
3. The fixing bolts (fix nipples) should be mounted approx. every 50 cm apart, however, there should be at least 3 of such bolts per each side, and at the same time 5 cm distance from the bottom and upper edge of the window frame shall be observed. After tightening, loosen the bolt by  $\frac{1}{4}$  of the revolution to facilitate insertion of the guide.



4. Position the box on the window frame, and then, fix the steel side handles to the window using self-tapping screws.

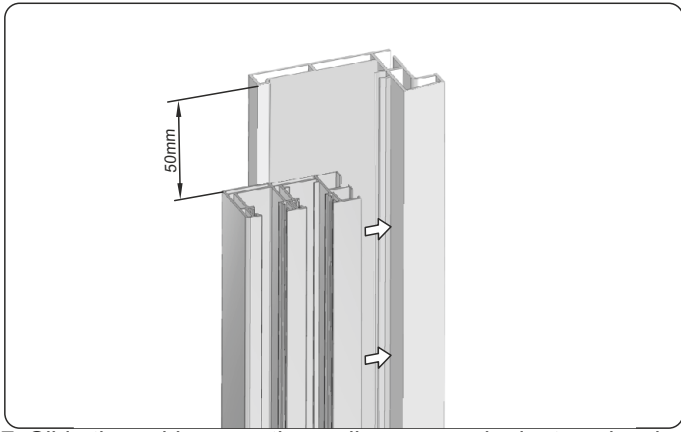


5. Fix the box through the window profile with bolts, approx. at every 300 mm (first drill the holes for the bolts). The length and size of the bolt should be appropriately selected for the window frame.

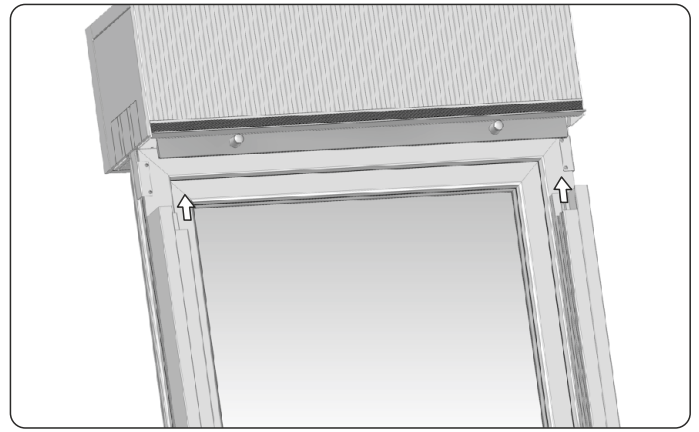


6. Before installation of the guides, an undercut shall be made in the upper part of the guide adapter for the steel side handle. All such undercuts are made in PORTOS.

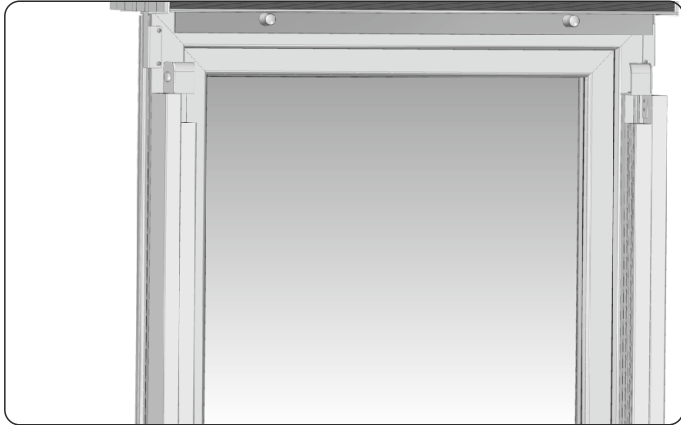




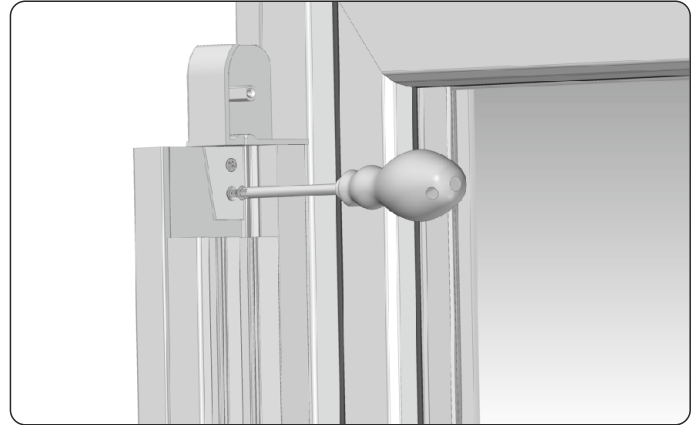
7. Slide the guides over the earlier prepared adapters, leaving sufficient space for the installation of the slider (50 mm from the top of the adapter).



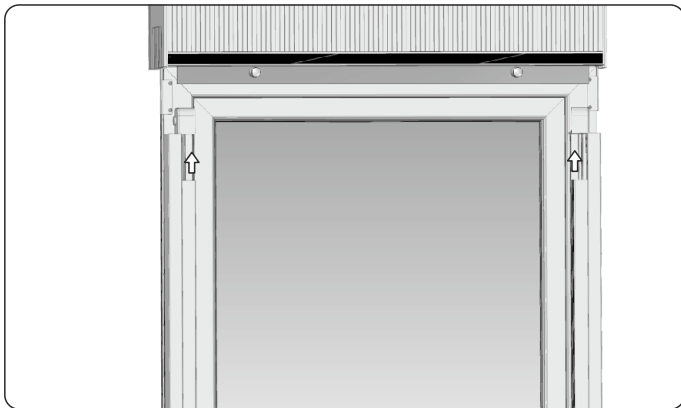
8. Next, slide the adapters with guides over the earlier screwed to the window frame fix nipples, leaving sufficient space from the top for the installation of the sliders.



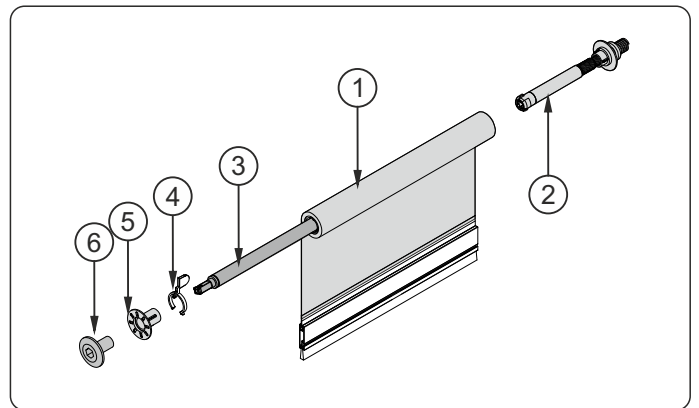
9. Fit the sliders in the appropriate place on adapters...



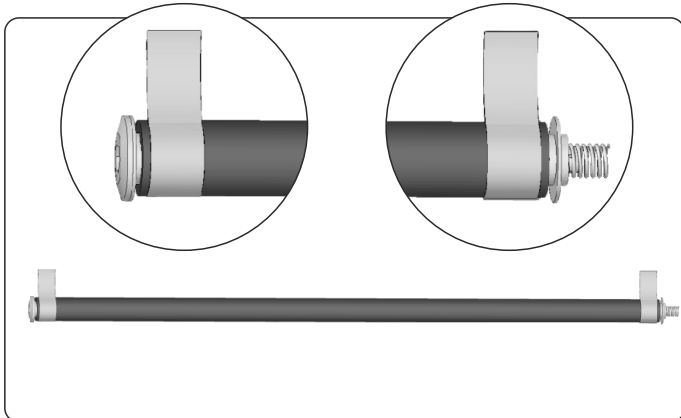
... then fix the sliders with bolts.



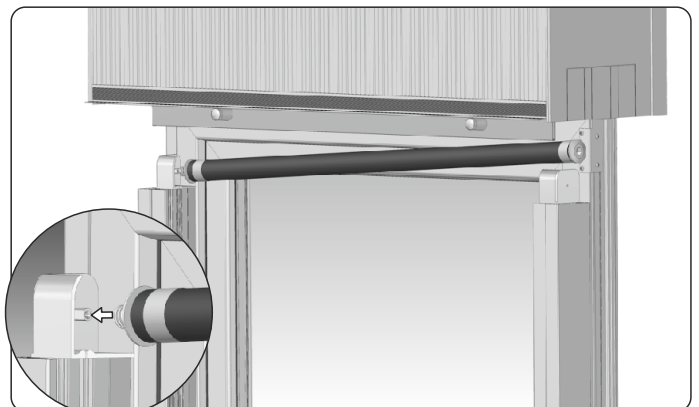
10. After the installation, shift the guides close to the sliders.



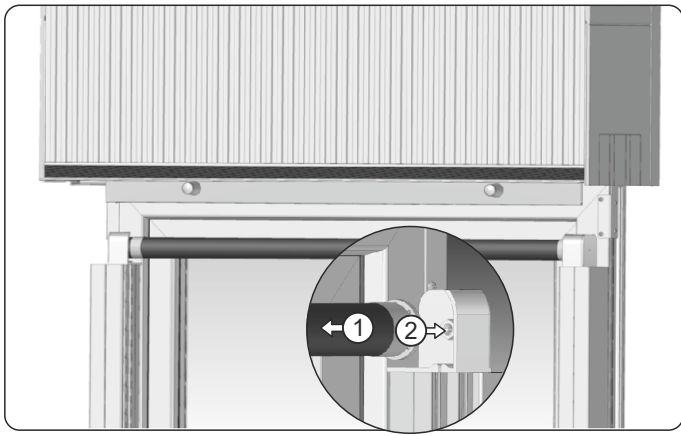
11. Roll the mosquito net as shown in the picture - into the net roll (1) from the right side (looking from the inside of the room) insert the mosquito net brake (2), and from the left side: the spring (3) the stopping ring (4) the spring adapter (5) and the pin(6).



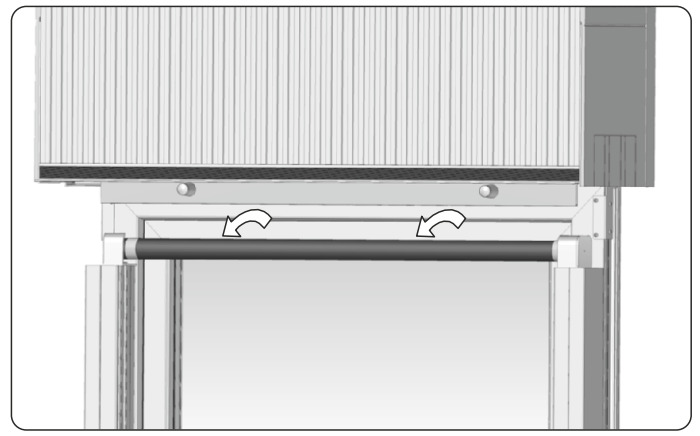
12. Wrap the ends of the net with adhesive paper tape, which will facilitate the spring winding.



13. Insert the end of the spring into the hole in the mosquito net handle.



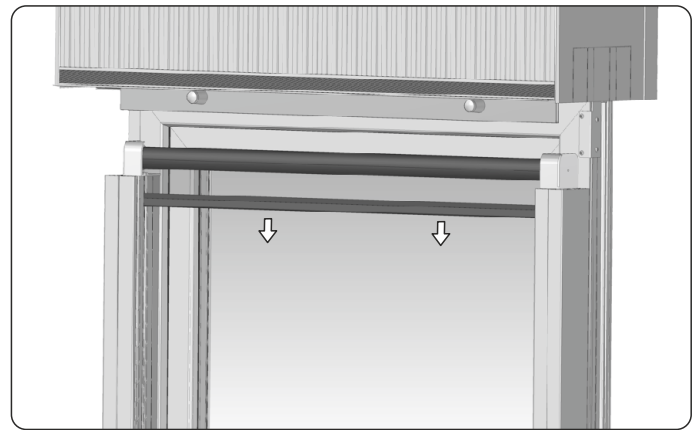
14. Fix the mosquito net from the side of the brake - shift the whole set to the right (1) position the mosquito net from the side of the brake in the right place so that the mandrel of the slider (2) is exactly in the socket of the brake and release it.



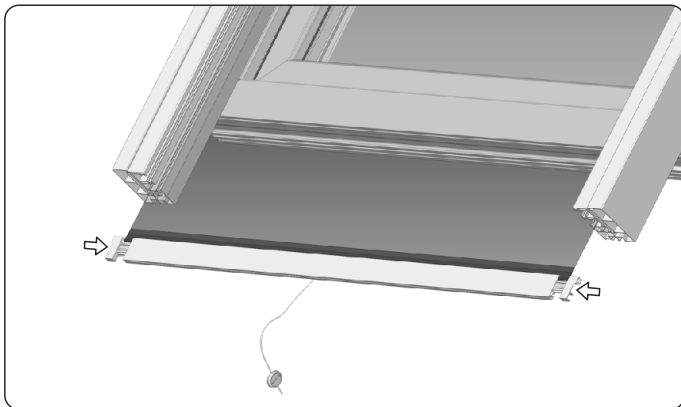
15. Roll down the mosquito net, thus, winding up the spring. Refer to table 1 (page 4) to choose the right number of revolutions.



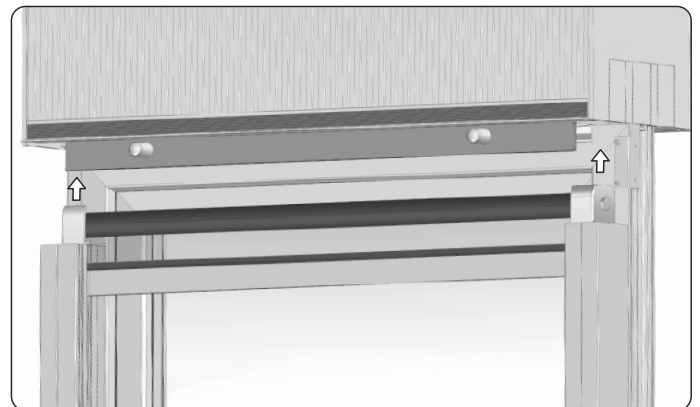
16. Holding the net, remove the anti-roll protection tape (paper tape).



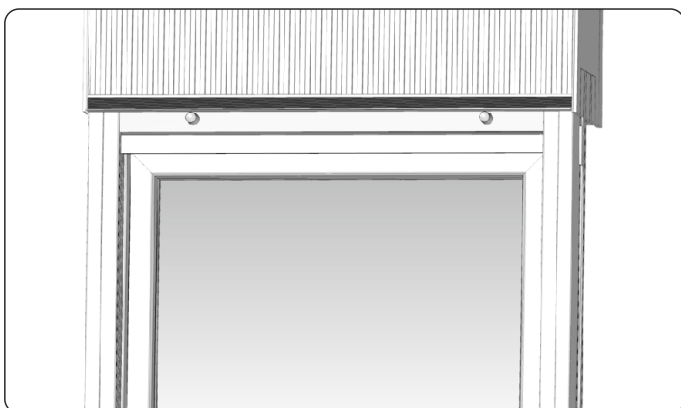
17. Roll down the mosquito net so that the rubber seal is positioned below the ends of the guides.



18. Next, slide the bottom slat over the net. Place bottom end caps over the ends of the bottom slat.



19. The so prepared mosquito net with the guides shall be shifted towards to the box so that their upper edge is aligned with the window edge.



20. View of the installed box.



**WARNING - FOR THE SAFETY OF PEOPLE, IT IS IMPORTANT  
TO FOLLOW THIS INSTALLATION MANUAL.  
KEEP THIS INSTALLATION MANUAL AT ALL TIMES.**



**PORTOS TR7**

**spółka z ograniczoną odpowiedzialnością**

ul. Złota 71

62-800 Kalisz

tel 62 768 40 11

E-mail: [sekretariat@portosrolety.pl](mailto:sekretariat@portosrolety.pl)

[www.portosrolety.pl](http://www.portosrolety.pl)