

Catalog and Price List

# **ROLLING GATES AND ROLLED COVERS**

## **PORTOS**





# TABLE OF CONTENTS

VENEER COLORS .....	4
BOX AND PROFILE COLORS .....	5
PA-52 ROLLED COVER .....	6
PA-52 CURTAIN .....	7
PA-55 ROLLED COVER .....	8
PA-55 CURTAIN .....	9
PA-77 ROLLING GATE .....	10
PA-77 CURTAIN .....	11
TECHNICAL DATA .....	12
INSTALLATION .....	21
DRIVE SELECTION TABLE .....	22
CONTROL SYSTEM SELECTION TABLE .....	23
DRIVES AND ACCESSORIES .....	25
ORDER FORMS .....	32
OPERATION/ MAINTENANCE .....	36
COMPLAINT FORM .....	37
GENERAL CONDITIONS OF SALE AND DELIVERY OF PORTOS PRODUCTS .....	38
DECLARATION OF PERFORMANCE .....	40

# TEMPLATE

## VENEER COLORS OF GUIDES AND BOTTOM LATH






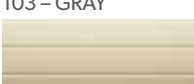

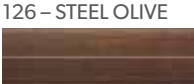


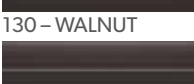
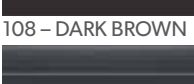


30 - WALNUT



48 - GOLDEN OAK

## VARNISHING COLORS OF BOXES AND PROFILES

	SK250	SK300	SK350	PA-52	PA-55	PA-77
 102 – WHITE	X	X	X	X	X	X
 107 – LIGHT GRAY	X	X	X	X	X*	—
 105 – BEIGE	X	X	X	X	X	X
 101 – SILVER	X	X	X	X	X	X
 103 – GRAY	X	X	X	X	X	X
 116 – IVORY	X	X	X	X	X*	—
 126 – STEEL OLIVE	X	X	X	X	X*	—
 148 – GOLDEN OAK	X	X	X	X	X	X
 109 – LIGHT BROWN	X	X	X	X	X	X
 130 – WALNUT	X	X	X	X	X	X
 108 – DARK BROWN	X	X	X	X	X	X
 123 – ANTHRACITE	X	X	X	X	X	X

**X\*** – product available until in stock, completion date up to 15 business days.

PA-52, PA-55, PA-77 PROFILE - non-perforated (possibility to order PA-52, PA-55 profile with perforation).

Since the color structure of the golden oak, walnut profile may undergo some changes, PORTOS will not consider this type of complaint.

**NOTE!** The color samples shown above may differ from the real color to some extent.

# PA-52 ROLLED COVER

## ROLLED COVER - IN BOX, WITH PA-52 ALUMINIUM PROFILE

### STANDARD EQUIPMENT:

ALUMINIUM BOX:	Bent at an angle of 45°, varnished, size 250 mm Colors: 01 - silver, 02 - white, 03 - gray, 05 - beige, 08 - dark brown, 09 - light brown, 23 - anthracite, 30 - walnut (side RAL 8028), 48 - golden oak (side RAL 8003)
OCTAGONAL PIPE:	Steel pipe Ø 60 mm or Ø 70 mm
GUIDES:	PP-75 Colors: 01 - silver, 02 - white, 03 - gray, 05 - beige, 08 - dark brown, 09 - light brown, 23 - anthracite
BOTTOM LATH:	LD-37 Colors: 01 - silver, 02 - white, 03 - gray, 05 - beige, 08 - dark brown, 09 - light brown, 23 - anthracite
BLOCKING BRACKETS:	Blocking bracket Ø 60 mm or Ø 70 mm
CURTAIN:	PA-52, including profile plugs, perforated (it is possible to order a PA-52 profile without perforation) Thickness: 13 mm Profile height: 52 mm Weight/ m <sup>2</sup> : 3kg Maximum area: 8 m <sup>2</sup> Minimum width: 85 cm Maximum width: 370 cm Colors: 001 - silver, 002 - white, 003 - gray, 005 - beige, 007 - light gray, 008 - dark brown, 009 - light brown, 016 - ivory, 023 - anthracite, 026 - steel olive, 030 - walnut, 048 - golden oak

It is recommended to use an inertia brake and additional safety systems in rolled covers (p. 25, 27).

### PRICE LIST OF PA-52 ROLLED COVERS

WIDTH \ HEIGHT	85-180	181-200	201-220	221-240	241-260	261-280	281-300	301-320	321-340	341-360	361-370
100-180	530	556	585	611	672	699	726	758	785	817	831
181-200	550	578	608	636	698	727	756	790	818	852	866
201-220	570	599	631	661	725	755	786	821	851	887	892*
221-240	589	620	654	685	751	783	815	852	874*	906*	904*
241-260	609	642	677	710	778	811	845	863*	895*		
261-280	629	663	701	735	804	840	875*	886*			
281-300	649	685	724	760	830	868*	899*				
301-320	668	706	747	784	853*	892*					
321-340	688	727	770	800*	877*						
341-360	708	749	793	822*							
361-380	727	770	821*	847*							
381-400	747	791	845*								

### RECOMMENDED BOX SIZES FOR PA-52 ROLLED COVERS

Box size [mm]	The maximum height of the rolled cover with the box [cm]	
	with the use of a blocking bracket Ø 60 [cm] width up to 2.5 m	with the use of a blocking bracket Ø 70 [cm] width from 2.5 up to 3.7 m
ALUMINIUM	PA-52 Ø 60-WB	PA-52 Ø 70-WB
SK-250	400	400

\* – maximum area 8 m<sup>2</sup>

Maximum width of the set in a common box - 590 cm (while maintaining the permitted area for given curtain profiles).

Maximum width of the set in a common box, common drive - 500 cm.

Extra charges for varnishing or veneering of individual elements are available on p. 30.

Price lists of additional elements for gates (drives and accessories) are available on p. 24–29.

# PA-52 CURTAIN

## PA-52 CURTAIN

### STANDARD EQUIPMENT:

CURTAIN:	PPA-52 including profile plugs, perforated Thickness: 13 mm Profile height: 52 mm Weight/ m <sup>2</sup> : 3kg Maximum area: 8 m <sup>2</sup> Minimum width: 85 cm Maximum width: 370 cm Colors: 001 - silver, 002 - white, 003 - gray, 005 - beige, 007 - light gray, 008 - dark brown, 009 - light brown, 016 - ivory, 023 - anthracite, 026 - steel olive, 030 - walnut, 048 - golden oak The product tolerance is +/- 3 mm
BOTTOM LATH:	LD-37 Colors: 01 - silver, 02 - white, 03 - gray, 05 - beige, 08 - dark brown, 09 - light brown, 23 - anthracite or veneered
BLOCKING BRACKETS:	Blocking bracket Ø 60 mm or Ø 70 mm
PRICE (1M <sup>2</sup> ):	72,50 €/1M <sup>2</sup>

**Extra charges for varnishing or veneering of individual elements are available on p. 30.**

Actual curtain height may slightly differ from the height specified in the order because it depends on the multiple of the height of the profile used.

# PA-55 ROLLED COVER

## ROLLED COVER - IN BOX, WITH PA-55 ALUMINIUM PROFILE

### STANDARD EQUIPMENT:

ALUMINIUM BOX:	Bent at an angle of 45°, varnished, size 250 mm and 300 mm Colors: 01 - silver, 02 - white, 03 - gray, 05* - beige, 08 - dark brown, 09 - light brown, 23 - anthracite, 30 - walnut (side RAL 8028), 48 - golden oak (side RAL 8003)
OCTAGONAL PIPE:	Steel pipe Ø 60 mm or Ø 70 mm
GUIDES:	PP-75 Colors: 01 - silver, 02 - white, 03 - gray, 05* - beige, 08 - dark brown, 09 - light brown, 23 - anthracite
BOTTOM LATH:	LD-55 Colors: 01 - silver, 02 - white, 03 - gray, 05* - beige, 08 - dark brown, 09 - light brown, 23 - anthracite
BLOCKING BRACKETS:	Blocking bracket Ø 60 mm or Ø 70 mm
CURTAIN:	PA-55 including profile plugs, non-perforated (it is possible to order a PA-55 profile with perforation) Thickness: 13.1 mm Profile height: 55 mm Weight/ m2: 3.4kg Maximum area: 12 m <sup>2</sup> Minimum width: 85 cm Maximum width: 400 cm Colors: 101 - silver, 102 - white, 103 - gray, 105 - beige, 107* - light gray, 108 - dark brown, 109 - light brown, 116* - ivory, 123 - anthracite, 126* - steel olive, 130 - walnut, 148 - golden oak

\* - product available until in stock, completion date up to 15 business days.

It is recommended to use an inertia brake and additional safety systems in rolled covers (p. 25, 27).

### PRICE LIST OF PA-55 ROLLED COVERS

WIDTH HEIGHT	85-180	181-200	201-220	221-240	241-260	261-280	281-300	301-320	321-340	341-360	361-380	381-400
100-180	550	577	607	634	696	725	753	786	815	848	876	904
181-200	573	602	635	664	728	758	788	823	854	889	919	949
201-220	597	628	662	693	759	791	824	861	893	930	962	994
221-240	621	654	690	723	791	825	859	898	932	971	1005	1039
241-260	645	680	717	752	822	858	894	935	971	1011	1047	1083
261-280	668	705	745	782	853	891	929	972	1010	1052	1090	1128
281-300	692	731	773	811	885	925	964	1009	1049	1093	1133	1173
301-320	736	777	822	863	939	982	1024	1072	1114	1162	1193	1194*
321-340	760	803	849	893	971	1015	1059	1109	1153	1187*	1216*	
341-360	783	829	877	922	1002	1048	1095	1146	1177*	1205*		
361-380	807	854	904	952	1034	1082	1130	1173*	1200*			
381-400	831	880	932	981	1065	1115	1165*	1196*				
401-420	855	906	960	1010	1096	1148	1188*					
421-440	879	931	987	1040	1128	1162	1213*					
441-460	902	957	1015	1069	1159	1187						
461-480	926	983	1042	1099	1177	1212*						

\* – maximum area of 12 m<sup>2</sup>

Maximum width of the set in a common box - 590 cm (while maintaining the permitted area for given curtain profiles).

Maximum width of the set in a common box, common drive - 500 cm.

**Extra charges for varnishing or veneering of individual elements are available on p. 30.**

**Price lists of additional elements for gates (drives and accessories) are available on p. 24–29.**



# PA-55 CURTAIN

## PA-55 CURTAIN

### STANDARD EQUIPMENT:

CURTAIN:	PA-55 including profile plugs, non-perforated Thickness: 13.1 mm Profile height: 55 mm Weight/m <sup>2</sup> : 3,4 kg Maximum area: 12 m <sup>2</sup> Minimum width: 85 cm Maximum width: 400 cm Colors: 101 - silver, 102 - white, 103 - gray, 105 - beige, 107* - light gray, 108 - dark brown, 109 - light brown, 116* - ivory, 123 - anthracite, 126* - steel olive, 130 - walnut, 148 - golden oak The product tolerance is +/- 3 mm
BOTTOM LATH:	LD-55 Colors: 01 - silver, 02 - white, 03 - gray, 05* - beige, 08 - dark brown, 09 - light brown, 23 - anthracite
BLOCKING BRACKETS:	Blocking bracket Ø 60 mm or Ø 70 mm

\* - product available until in stock, completion date up to 15 business days.

### PRICE LIST OF PA-55 CURTAIN

HEIGHT \ WIDTH	85-180	181-200	201-220	221-240	241-260	261-280	281-300	301-320	321-340	341-360	361-380	381-400
100-180	355	375	398	417	452	471	491	516	536	560	580	600
181-200	374	395	420	442	478	500	521	548	569	596	618	639
201-220	392	416	442	466	504	528	551	580	603	632	655	679
221-240	411	436	464	490	530	556	581	611	637	667	693	718
241-260	429	456	487	514	556	584	611	643	671	703	730	758
261-280	448	477	509	538	582	612	641	675	704	738	768	797
281-300	466	497	531	563	608	640	671	707	738	774	805	836
301-320	484	517	553	586	634	667	700	738	771	809	834	861*
321-340	503	538	575	610	660	695	730	770	805	832*	858*	
341-360	521	558	598	635	686	723	760	801	826*	852*		
361-380	540	578	620	659	712	751	790	825*	851*			
381-400	558	599	642	683	738	779	819*	850*				
401-420	577	619	665	707	764	807	844*					
421-440	595	639	687	731	790	844	869*					
441-460	613	660	709	755	816	868						
461-480	632	680	731	780	829	893*						

\* – maximum area of 12 m<sup>2</sup>

### RECOMMENDED BOX SIZES FOR PA-55 ROLLED COVERS

Box size [mm]	Maximum height of the rolled cover with box [cm]	
	with the use of a blocking bracket Ø 60 [cm] up to 2.5 m wide	with the use of a blocking bracket Ø 70 [cm] from 2.5 to 4 m wide
ALUMINIUM	PA-55 Ø 60-WB	PA-55 Ø 70-WB
SK-250	311	325
SK-300	480	480

**Extra charges for varnishing or veneering of individual elements are available on p. 30.**

Actual curtain height may slightly differ from the height specified in the order because it depends on the multiple of the height of the profile used.

# PA-77 ROLLING GATES

## ROLLING GATE - IN BOX, WITH PA-77 ALUMINIUM PROFILE

### STANDARD EQUIPMENT:

ALUMINIUM BOX:	Bent at an angle of 45°, varnished, size 250 mm, 300 mm, 350 mm with a movable console Colors: 01 - silver, 02 - white, 03 - gray, 05* - beige, 08 - dark brown, 09 - light brown, 23 - anthracite, 30 - walnut (side RAL 8028), 48 - golden oak (side RAL 8003)
OCTAGONAL PIPE:	Steel pipe Ø 70 mm
GUIDES:	PP-95 Colors: 01 - silver, 02 - white, 03 - gray, 05* - beige, 08 - dark brown, 09 - light brown, 23 - anthracite
BOTTOM LATH:	LD-77 Colors: 01 - silver, 02 - white, 03 - gray, 05* - beige, 08 - dark brown, 09 - light brown, 23 - anthracite
BLOCKING BRACKETS:	Blocking bracket Ø 70 mm
INERTIA BRAKE	
CURTAIN:	PA-77 including profile plugs, non-perforated Thickness: 18.5 mm Profile height: 77 mm Weight/ m2: 4.8kg Maximum area: 15 m2 Minimum width: 100 cm Maximum width: 450 cm Colors: 101 - silver, 102 - white, 103 - gray, 105 - beige, 108 - dark brown, 109 - light brown, 123 - anthracite, 130 - walnut, 148 - golden oak

\* - product available until in stock, completion date up to 15 business days.

It is recommended to use additional safety systems in rolling gates (p. 25, 27).

### PRICE LIST OF PA-77 ROLLING GATES

HEIGHT \ WIDTH	100-180	181-200	201-220	221-240	241-260	261-280	281-300	301-320	321-340	341-360	361-380	381-400	401-420	421-450
100-180	837	874	917	955	998	1035	1073	1116	1153	1197	1234	1271	1315	1370
181-200	872	912	958	998	1044	1084	1124	1170	1210	1256	1296	1336	1382	1442
201-220	924	967	1016	1060	1109	1153	1196	1246	1289	1338	1382	1425	1475	1540
221-240	959	1005	1057	1103	1155	1201	1247	1300	1346	1398	1444	1490	1542	1611
241-260	994	1042	1097	1146	1201	1250	1299	1354	1402	1457	1506	1555	1610	1683
261-280	1028	1080	1138	1189	1247	1298	1350	1408	1459	1517	1568	1620	1677	1755
281-300	1064	1118	1178	1232	1293	1347	1401	1462	1516	1576	1630	1685	1745	1826
301-320	1252	1307	1370	1425	1487	1543	1599	1661	1717	1779	1835	1890	1952	2036
321-340	1287	1345	1410	1468	1533	1592	1650	1715	1773	1838	1897	1955	2020	2082*
341-360	1321	1383	1450	1511	1579	1640	1701	1769	1830	1897	1959	2020	2077*	2105*
361-380	1356	1420	1491	1554	1625	1689	1752	1823	1887	1957	2021	2068*	2101*	
381-400	1391	1458	1531	1598	1671	1737	1804	1877	1943	2016	2066*	2092*		
401-420	1426	1496	1571	1641	1716	1786	1855	1931	2000	2066*	2091*			
421-440	1461	1533	1612	1684	1762	1834	1906	1985	2057	2085*				
441-460	1496	1571	1652	1727	1808	1883	1958	2039	2086*	2110*				
461-480	1531	1609	1693	1770	1854	1931	2009	2064*	2112*					
481-500	1561	1641	1727	1807	1893	1973	2052	2066*						

\* – maximum area of 15 m<sup>2</sup>

**Extra charge for enlarging the box (upon the customer's request) available on p. 30.**

**Extra charge for installing the rear panel of the SK 350 box (see figure p. 20) available on p. 30.**

**Extra charges for varnishing or veneering of individual elements are available on p. 30.**

**Price lists of additional components for gates (drives and accessories) are available on p. 24–29.**

# PA-77 CURTAIN

## PA-77 CURTAIN

### STANDARD EQUIPMENT:

#### CURTAIN:

PA-77 including profile plugs, non-perforated  
 Thickness: 18.5 mm  
 Profile height: 77 mm  
 Weight/m<sup>2</sup>: 4,8 kg  
 Maximum area: 15 m<sup>2</sup>  
 Minimum width: 100 cm Maximum width: 450 cm  
 Colors: 101 - silver, 102 - white, 103 - gray, 105 - beige, 108 - dark brown, 109 - light brown,  
 123 - anthracite, 130 - walnut, 148 - golden oak  
 The product tolerance is +/- 3 mm

#### EXTRUDED PROFILE

##### TOP:

The first lath from the curtain top

##### BOTTOM LATH:

LD-77

Colors: 01 - silver, 02 - white, 03 - gray, 05\* - beige, 08 - dark brown, 09 - light brown, 23 - anthracite

#### BLOCKING BRACKETS:

Blocking bracket Ø 70 mm

\* - product available until in stock, completion date up to 15 business days.

### PRICE LIST OF PA-77 CURTAIN

szer. wys.	100-180	181-200	201-220	221-240	241-260	261-280	281-300	301-320	321-340	341-360	361-380	381-400	401-420	421-450
100-180	490	520	556	586	622	651	681	717	747	783	812	842	878	922
181-200	517	549	588	620	659	691	724	762	795	834	866	898	937	986
201-220	532	567	608	643	685	720	755	796	831	873	908	943	984	1037
221-240	558	596	640	678	722	760	798	842	880	924	961	999	1043	1100
241-260	585	625	672	712	759	800	840	887	928	975	1015	1056	1102	1163
261-280	611	654	704	747	797	840	883	933	976	1025	1069	1112	1162	1226
281-300	637	683	736	782	834	880	926	978	1024	1076	1122	1168	1221	1290
301-320	686	735	790	838	893	942	991	1045	1094	1149	1198	1246	1301	1374
321-340	712	764	821	873	930	982	1033	1091	1142	1200	1251	1303	1360	1415*
341-360	739	793	853	907	968	1022	1076	1136	1190	1251	1305	1359	1410*	1439*
361-380	765	822	885	942	1005	1062	1119	1182	1239	1302	1359	1401*	1434*	
381-400	792	851	917	977	1043	1102	1162	1227	1287	1353	1397*	1449*		
401-420	818	880	949	1011	1080	1142	1204	1273	1335	1395*	1421*			
421-440	845	910	981	1046	1117	1182	1247	1319	1384	1411*				
441-460	871	939	1013	1081	1155	1222	1290	1364	1410*	1436*				
461-480	898	968	1045	1115	1192	1262	1333	1383*	1434*					
481-500	920	993	1072	1145	1224	1296	1369	1407*						

\* – maximum area of 15 m<sup>2</sup>

### RECOMMENDED BOX SIZES FOR PA-77 ROLLING GATES

Box size [mm]	Maximum height of the rolling gate with box [cm]
	with the use of a blocking bracket Ø 70 [cm]
ALUMINIUM	PA-77 Ø 70-WB
SK-250	215
SK-300	310
SK-350	497

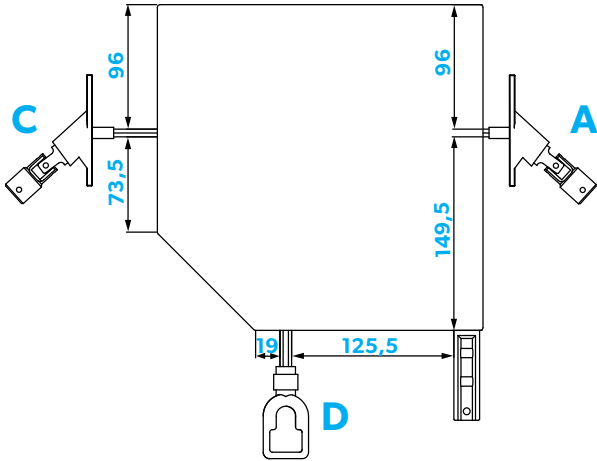
**Extra charges for varnishing or veneering of individual elements are available on p. 30.**

Factual curtain height may slightly differ from the height specified in the order because it depends on the multiple of the height of the profile used.

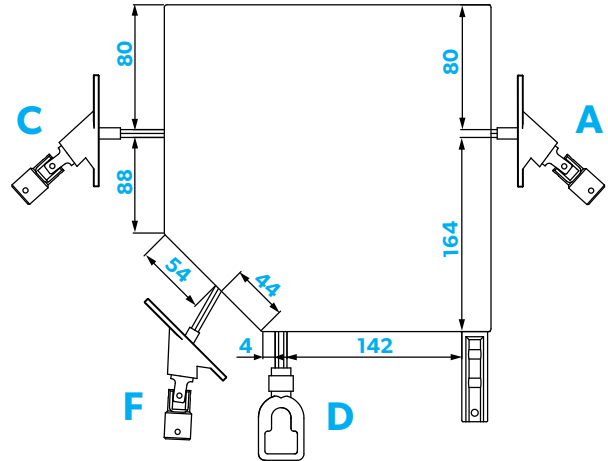
# TECHNICAL DATA

## DIMENSIONS OF THE SIDES AND ARRANGEMENT OF THE DOOR EMERGENCY OPENINGS (NHK)

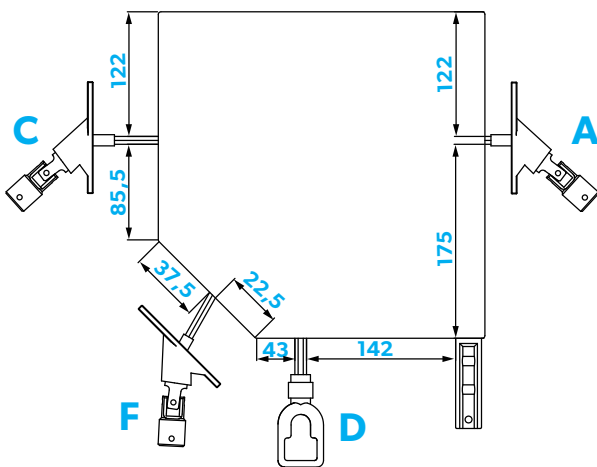
**BOX 250 FI 60**



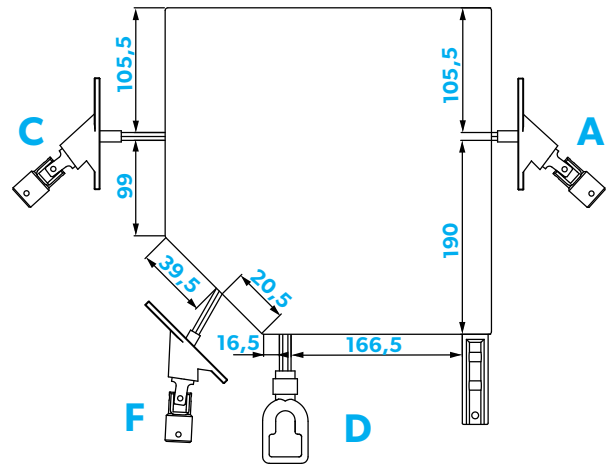
**BOX 250 FI 70**



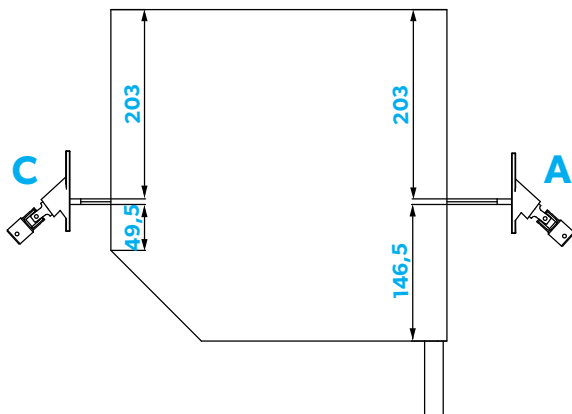
**BOX 300 FI 60**



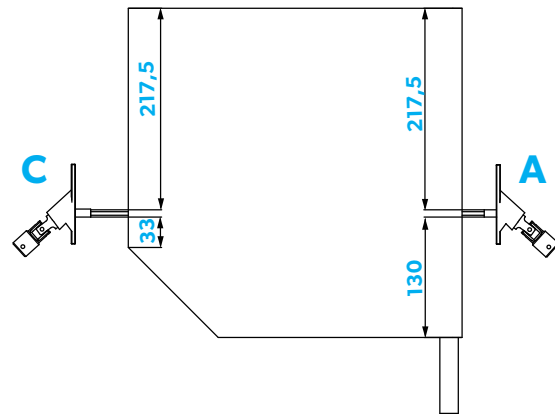
**BOX 300 FI 70**



**BOX 350 FI 60**



**BOX 350 FI 70**

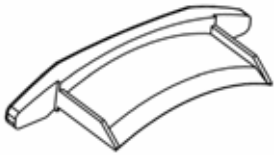


The box key lock (ZM-SKK) is used in all sizes of rolling gates at the front (A, C) and in the lower part of the inspection cover (D).

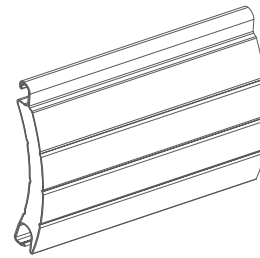
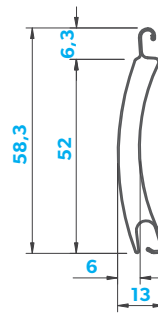
# TECHNICAL DATA

## APA-52

PA-52 Profile plug



## PA-52 PROFILE

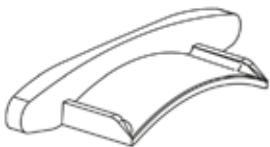


Profile height	Profile width	Number of slats per 1 m of height	Weight of the curtain per 1 m <sup>2</sup>	Max. size	Min. / Max. width
52 mm	13 mm	19 pcs	3,0 kg	8 m <sup>2</sup>	85 cm / 370 cm

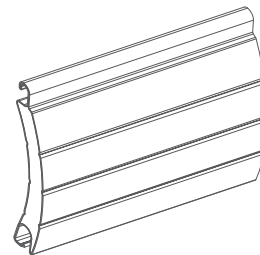
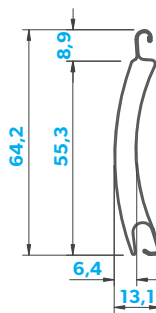
Dimensioning with PP-75 guides: profile width with profile plugs = total width of the gate minus 8.2 cm.

## APA-55

PA-55 Profile plug



## PA-55 PROFILE

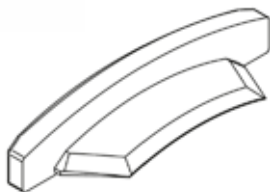


Profile height	Profile width	Number of slats per 1 m of height	Weight of the curtain per 1 m <sup>2</sup>	Max. size	Min. / Max. width
55 mm	13,1 mm	18 pcs	3,4 kg	12 m <sup>2</sup>	85 cm / 400 cm

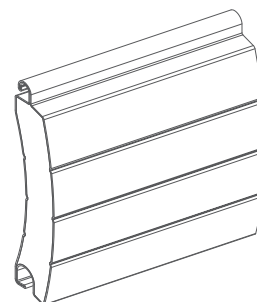
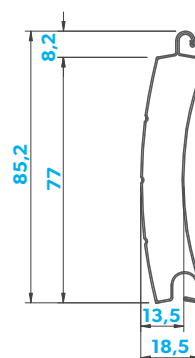
Dimensioning with PP-75 guides: profile width with profile plugs = total width of the gate minus 8.2 cm.

## APA-77

PA-77 Profile plug



## PA-77 PROFILE

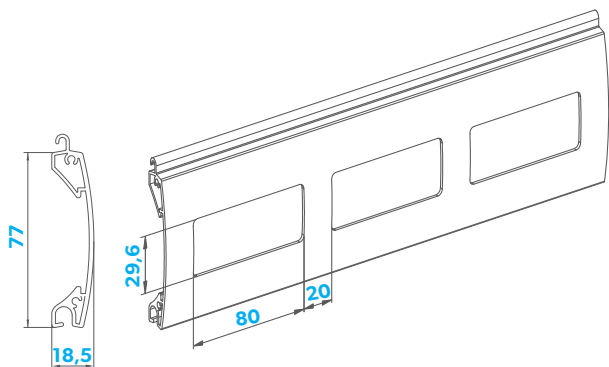


Profile height	Profile width	Number of slats per 1 m of height	Weight of the curtain per 1 m <sup>2</sup>	Max. size	Min. / Max. width
77 mm	18,5 mm	13 pcs	4,8 kg	15,0 m <sup>2</sup>	100 cm / 450 cm

Dimensioning with PP-95 guides: profile width with profile plugs = total width of the gate minus 8.8 cm.

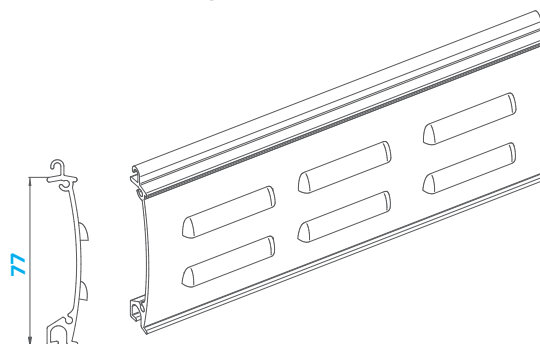
## PEP 77 GLAZED PROFILE

Weight: 0,82 kg/rm  
11 kg/m<sup>2</sup>



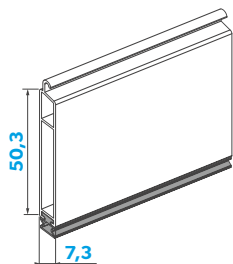
## PEW 77 VENTILATION PROFILE

Weight: 0,73 kg/rm  
9,5 kg/m<sup>2</sup>



When using PEP 77 and PEW 77 profiles, it is recommended to install C and D type gates.

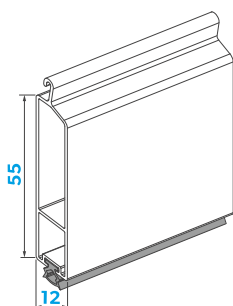
## LD-37



### BOTTOM LATH

- with a rubber seal
- for profiles: PA-52
- weight: 0,30 kg/rm

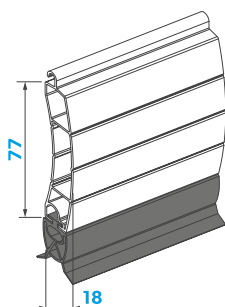
## LD-55



### BOTTOM LATH

- with a rubber seal
- for profiles: PA-55
- weight: 0,41 kg/rm

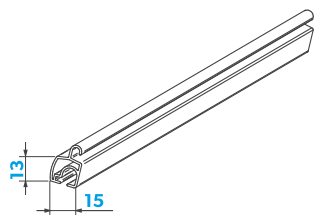
## LD-77



### BOTTOM LATH

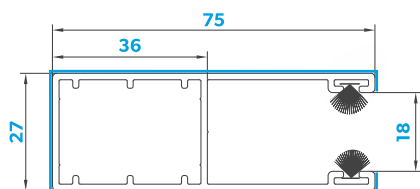
- with a rubber seal
- for profiles: PA-77
- weight: 0,67 kg/rm

PEG-14



PROFIL GÓRNY PA-77

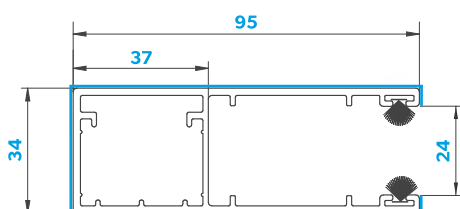
PP-75



STRAIGHT GUIDE 75

- with a brush seal for profiles PA-52, PA-55

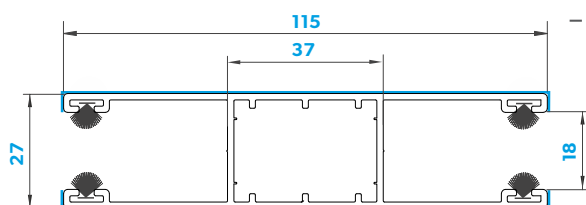
PP-95



STRAIGHT GUIDE 95

- with a brush seal for profiles PA-77

PPDW-115



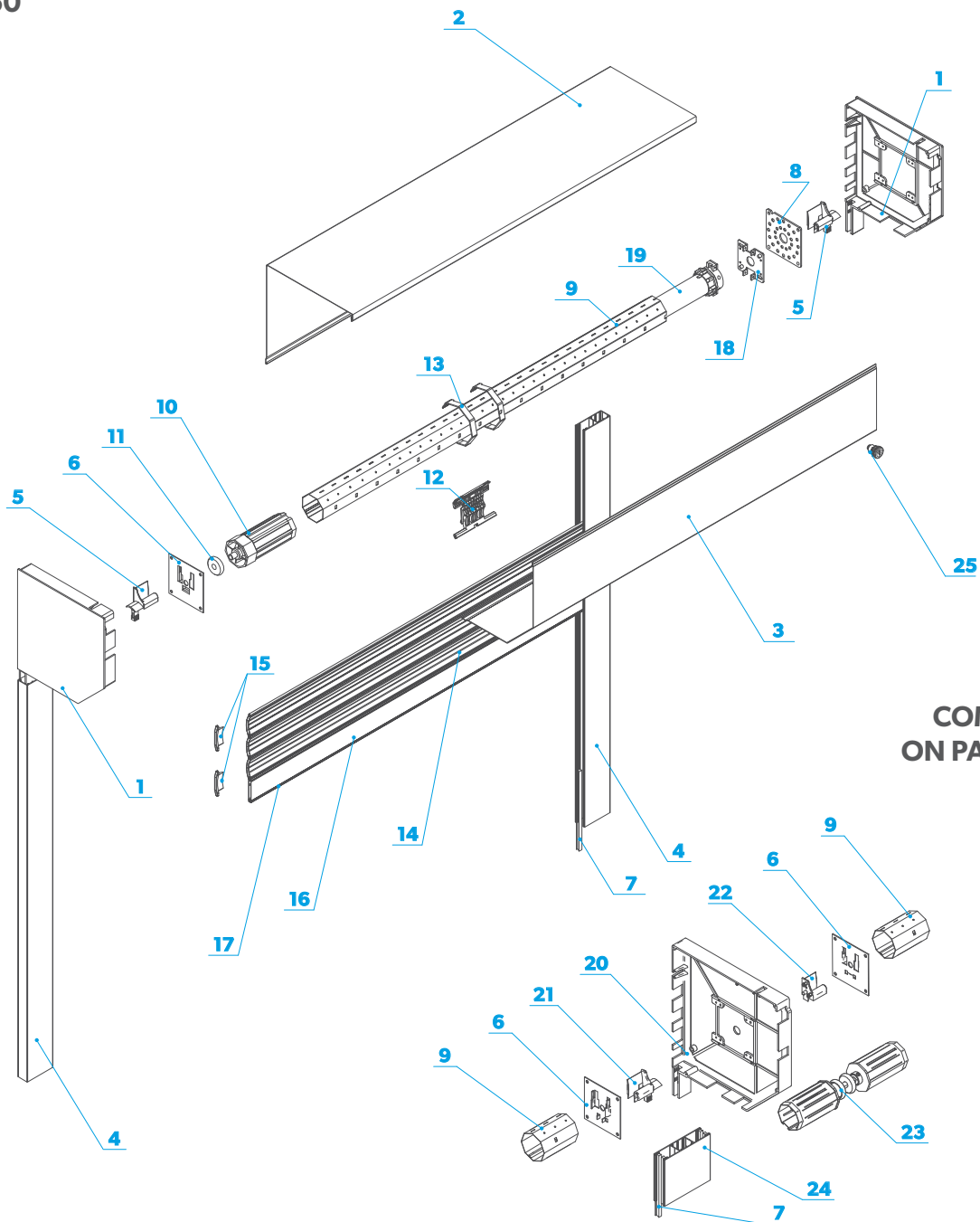
DOUBLE GUIDE 115

- with a brush seal for profiles PA-52, PA-55

— place of veneering guides

# TECHNICAL DATA

BOX 250  
PA-52; Ø 60



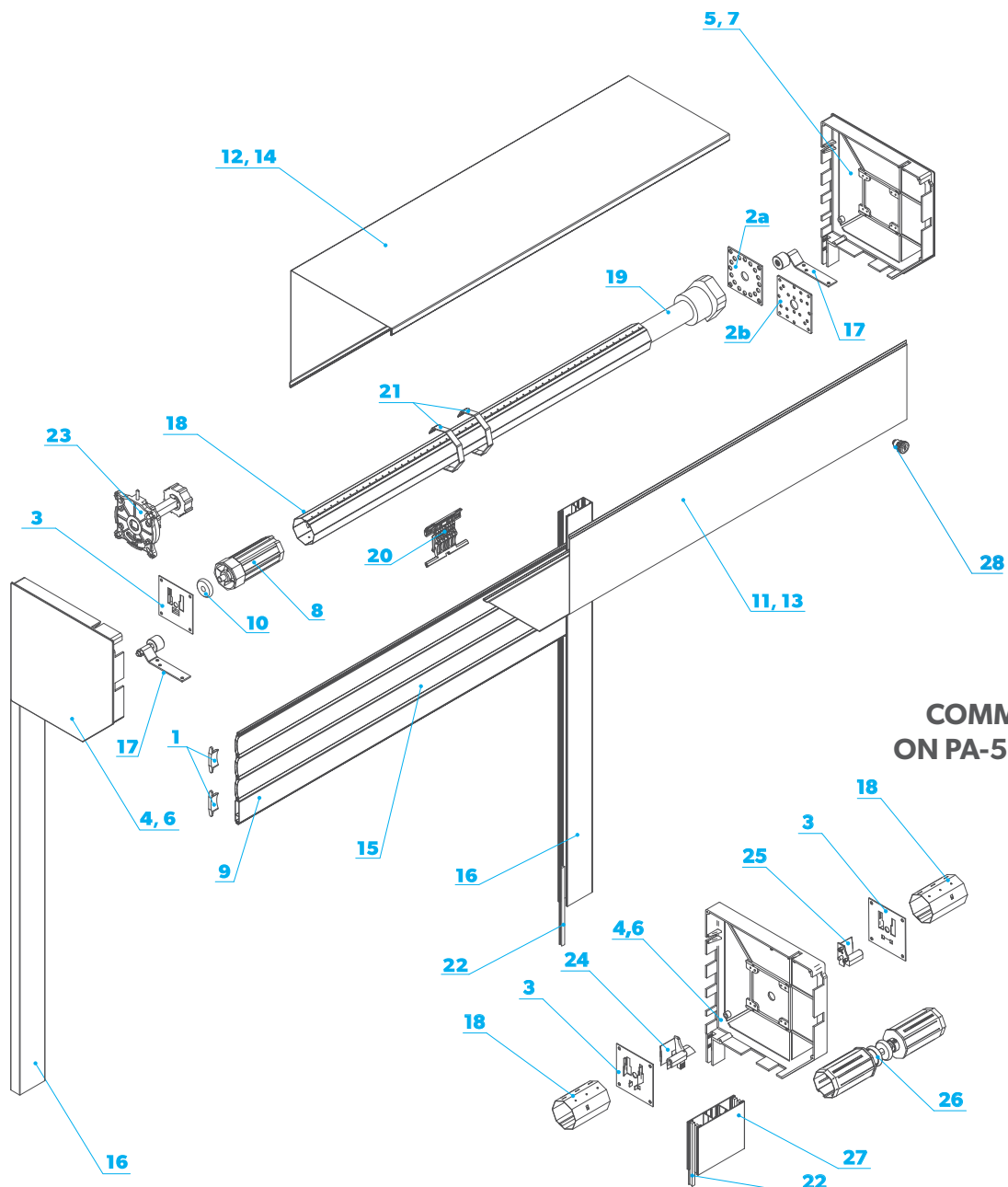
**COMMON DRIVE  
ON PA-52 CURTAIN**

- |                          |   |                             |  |
|--------------------------|---|-----------------------------|--|
| 1. <b>BS-250-xx</b>      | 250 left/right side                         | 14. <b>PA-52-xxx</b>        | PA-52 Profile                          |
| 2. <b>SK-250G-xx</b>     | Box 250 top                                 | 15. <b>APA-52-xxx</b>       | PA-52 Profile plug                     |
| 3. <b>SK-250D-xx</b>     | Box 250 bottom                              | 16. <b>LD-37</b>            | Bottom lath                            |
| 4. <b>PP-75-xx</b>       | PA-52 profile guide                         | 17. <b>KA-44 A</b>          | Rubber seal LD-37, LD-55               |
| 5. <b>SPP-52-55 L/P</b>  | PA-52, PA-55 profile entry guide left/right | 18.                         | Motor bracket                          |
| 6. <b>U-BR</b>           | Bearing bracket                             | 19.                         | Motor                                  |
| 7. <b>SP6,7x9 3P</b>     | Brush seal                                  | 20. <b>BS-250</b>           | Gate indexing side                     |
| 8. <b>BR-US-NHK</b>      | Gate bracket for NHK motor                  | 21. <b>SPP-52-55 L/P</b>    | Entry guide for rolled covers          |
| 9. <b>SW 60</b>          | Steel octagonal pipe Ø 60                   | 22. <b>SPD-52-55-BR L/P</b> | Indexing entry guide for rolled covers |
| 10. <b>OBS-60-PCV</b>    | 60 mounting for PVC with pin                | 23. <b>RKZ35</b>            | Round bolt for Ø 60 pipe               |
| 11. <b>K-LO M 40/12</b>  | Bearing 40/12 for gates                     | 24. <b>PPDW-115</b>         | Double guide 115                       |
| 12. <b>WB3-60 PIERŚĆ</b> | Blocking bracket - ring                     | 25. <b>ZM-SKK</b>           | Box key lock                           |
| 13. <b>WB3-60 RAMIĘ</b>  | Blocking 2-part bracket                     |                             |  |



# TECHNICAL DATA

BOX 250/300  
PA-55; Ø 60

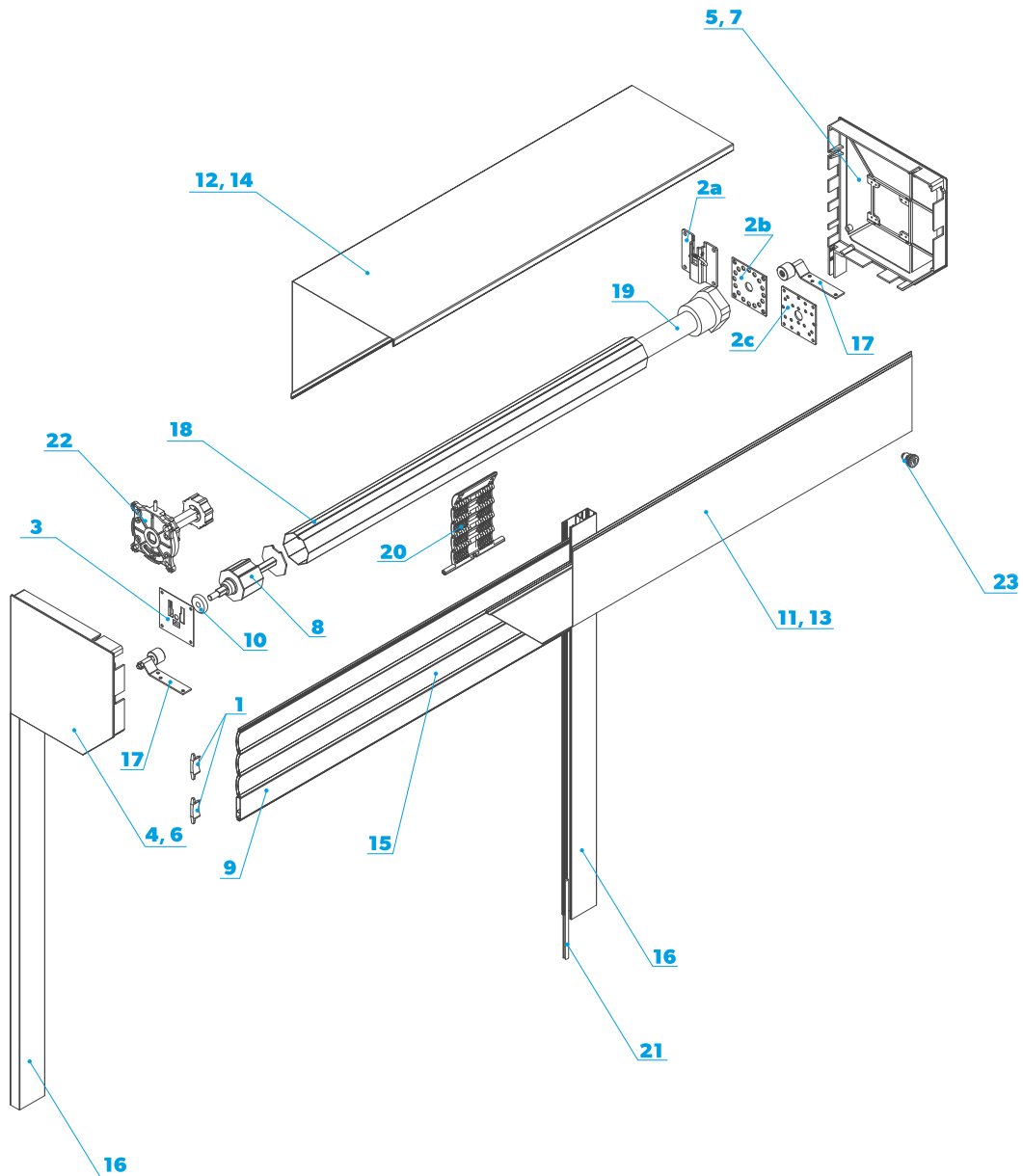


**COMMON DRIVE  
ON PA-55 CURTAIN**

- |                       |                                      |                             |  |
|-----------------------|--------------------------------------|-----------------------------|--|
| 1. <b>APA-55 L/P</b>  | Profile plug for PA-55               | 16. <b>PP-75-xx</b>         | PA-55 Profile guide                    |
| 2a.                   | NHK Somfy motor bracket              | 17. <b>BR-RP-1</b>          | Sliding roller L and R (PA-55)         |
| 2b.                   | NHK PORTOS motor bracket             | 18. <b>SW 60</b>            | Steel octagonal pipe Ø 60              |
| 3. <b>U-BR</b>        | Bearing bracket                      | 19.                         | Motor                                  |
| 4. <b>BS-250-xx</b>   | Side 250 L                           | 20. <b>WB3-60 RAMIĘ</b>     | Blocking 2-part bracket                |
| 5. <b>BS-250-xx</b>   | Side 250 P                           | 21. <b>WB3-60 PIERŚĆ</b>    | Blocking bracket - ring                |
| 6. <b>BS-300-xx</b>   | Side 300 L                           | 22. <b>SP6,7x9 3P</b>       | Brush seal                             |
| 7. <b>BS-300-xx</b>   | Side 300 P                           | 23. <b>BR-HI 60</b>         | Inertia brake                          |
| 8. <b>OBS-60-PCV</b>  | 60 mounting for PVC with pin         | <b>BR-HI-OBS 60</b>         | Ø 60 mounting for the inertia brake    |
| 9. <b>LD-55-xx</b>    | LD-55 bottom lath with a rubber seal | 24. <b>SPP-52-55 L/P</b>    | Entry guide for rolled covers          |
| 10. <b>K-L40</b>      | Ball bearing Ø 40                    | 25. <b>SPD-52-55-BR L/P</b> | Indexing entry guide for rolled covers |
| 11. <b>SK-250D-xx</b> | Box 250 bottom                       | 26. <b>RKZ35</b>            | Round bolt for Ø 60 pipe               |
| 12. <b>SK-250G-xx</b> | Box 250 top                          | 27. <b>PPDW-115</b>         | Double guide 115                       |
| 13. <b>SK-300D-xx</b> | Box 300 bottom                       | 28. <b>ZM-SKK</b>           | Box key lock                           |
| 14. <b>SK-300G-xx</b> | Box 300 top                          |                             |  |
| 15. <b>PA-55-xxx</b>  | PA-55 profile                        |                             |  |

# TECHNICAL DATA

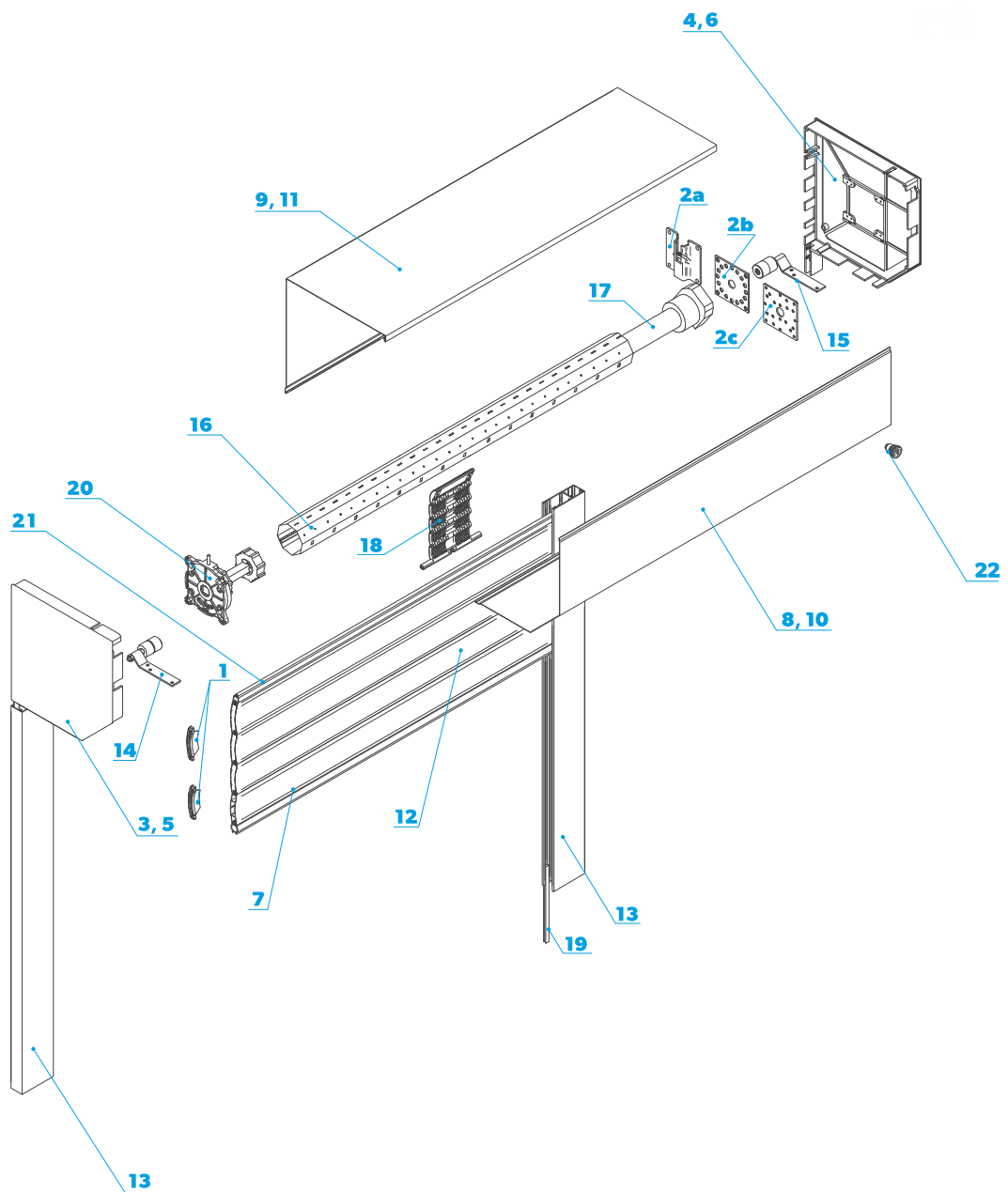
BOX 250/300  
PA-55; Ø 70



- |                       |                                      |                       |                                     |
|-----------------------|--------------------------------------|-----------------------|-------------------------------------|
| 1. <b>APA-55 L/P</b>  | Profile plug for PA-55               | 13. <b>SK-300D-xx</b> | Box 300 bottom                      |
| 2a.                   | Motor bracket Ø 70 usual             | 14. <b>SK-300G-xx</b> | Box 300 top                         |
| 2b.                   | NHK Somfy motor bracket              | 15. <b>PA-55-xxx</b>  | PA-55 profile                       |
| 2c.                   | NHK Portos motor bracket             | 16. <b>PP-75-xx</b>   | PA-55 profile guide                 |
| 3. <b>U-BR</b>        | Bearing bracket                      | 17. <b>BR-RP-1</b>    | Single sliding roller (PA-55)       |
| 4. <b>BS-250-xx</b>   | Side 250 L                           | 18. <b>SW 70</b>      | Steel octagonal pipe Ø 80           |
| 5. <b>BS-250-xx</b>   | Side 250 P                           | 19.                   | Motor                               |
| 6. <b>BS-300-xx</b>   | Side 300 L                           | 20. <b>WB3-70-77</b>  | Blocking bracket                    |
| 7. <b>BS-300-xx</b>   | Side 300 P                           | 21. <b>SP6,7x9 3P</b> | Brush seal                          |
| 8. <b>OBS-70</b>      | Movable mounting for Ø 70 pipe       | 22. <b>BR-HI W5</b>   | Inertia brake                       |
| 9. <b>LD-55-xx</b>    | LD-55 bottom lath with a rubber seal | <b>BR-HI-OBS 70</b>   | Mounting Ø 70 for inertia brake     |
| 10. <b>K-L40</b>      | Ball bearing Ø 40/12                 | <b>BR-HI-OBS 70 N</b> | Mounting cap Ø 70 for inertia brake |
| 11. <b>SK-250D-xx</b> | Box 250 bottom                       | 23. <b>ZM-SKK</b>     | Box key lock                        |
| 12. <b>SK-250G-xx</b> | Box 250 top                          |                       |                                     |

# TECHNICAL DATA

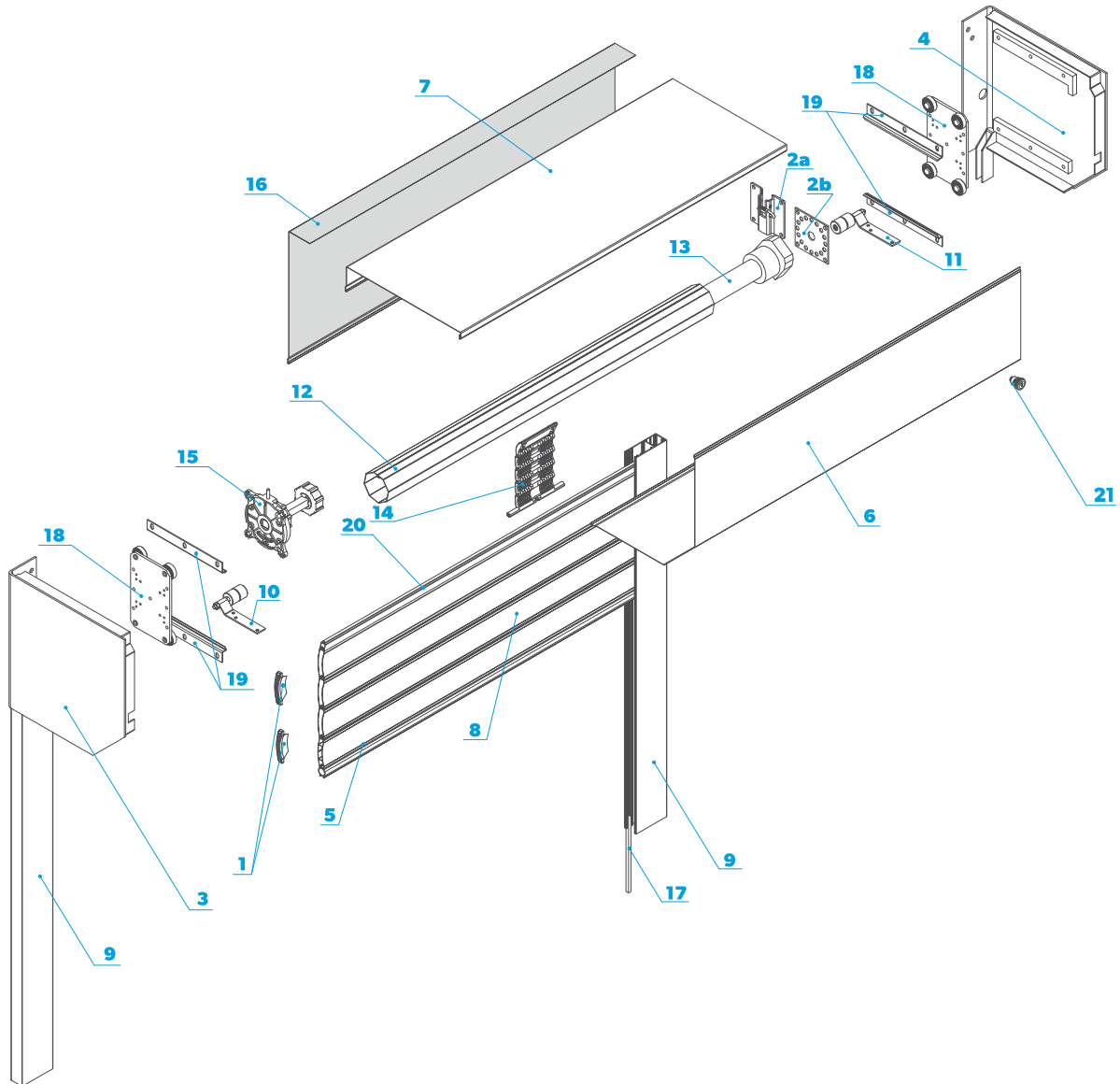
BOX 250/300  
PA-77; Ø 70



- |                       |                                      |                                 |                                 |
|-----------------------|--------------------------------------|---------------------------------|---------------------------------|
| 1. <b>APA-77</b>      | Profile plug for PA-77               | 12. <b>PA-77-xxx</b>            | PA-77 profile                   |
| 2a.                   | Motor bracket Ø 70 usual             | 13. <b>PP-95-xx</b>             | PA-77 profile guide             |
| 2b.                   | NHK Somfy motor bracket              | 14. <b>BR-RP-2</b>              | Double sliding roller L (PA-77) |
| 2c.                   | NHK Portos motor bracket             | 15. <b>BR-RP-2</b>              | Double sliding roller P (PA-77) |
| 3. <b>BS-250-xx</b>   | Side 250 L                           | 16. <b>SW 70</b>                | Steel octagonal pipe Ø 70       |
| 4. <b>BS-250-xx</b>   | Side 250 P                           | 17.                             | Motor                           |
| 5. <b>BS-300-xx</b>   | Side 300 L                           | 18. <b>WB3-70-77LN-KOM+FILC</b> | Blocking bracket                |
| 6. <b>BS-300-xx</b>   | Side 300 P                           | 19. <b>SP7x10-CF</b>            | Brush seal 7x10 with foil       |
| 7. <b>LD-77-xx</b>    | LD-77 bottom lath with a rubber seal | 20. <b>BR-HI W5</b>             | Inertia brake                   |
| 8. <b>SK-250D-xx</b>  | Box 250 bottom                       | <b>BR-HI-OBS 70</b>             | Mounting Ø 70 for inertia brake |
| 9. <b>SK-250G-xx</b>  | Box 250 top                          | <b>BR-HI-OBS 70 N</b>           | Mounting cap Ø 70 for inertia   |
| 10. <b>SK-300D-xx</b> | Box 300 bottom                       | 21. <b>PEG-14</b>               | PA-77 top profile               |
| 11. <b>SK-300G-xx</b> | Box 300 top                          | 22. <b>ZM-SKK</b>               | Box key lock                    |

# TECHNICAL DATA

**BOX 350**  
**PA-77; Ø 70**



- |                      |                                      |                                 |  |
|----------------------|--------------------------------------|---------------------------------|--|
| 1. <b>APA-77</b>     | Profile plug for PA-77               | 13.                             | Motor  |
| 2a.                  | Motor bracket Ø 70 usual             | 14. <b>WB3-70-77LN-KOM+FILC</b> | Blocking bracket                                   |
| 2b.                  | NHK Somfy motor bracket              | 15. <b>BR-HI W5</b>             | Inertia brake                                      |
| 3. <b>BS-350-xx</b>  | Side 350 L                           | <b>BR-HI-OBS 70</b>             | Mounting Ø 70 for inertia brake                    |
| 4. <b>BS-350-xx</b>  | Side 350 P                           | <b>BR-HI-OBS 70 N</b>           | Mounting cap Ø 70 for inertia brake                |
| 5. <b>LD-77-xx</b>   | LD-77 bottom lath with a rubber seal | 16. <b>BLT-SK 350-xx</b>        | Rear panel of the box<br><b>(for extra charge)</b> |
| 6. <b>SK-350D-xx</b> | Box 350 bottom                       | 17. <b>SP7x10-CF</b>            | Brush seal 7x10 with foil                          |
| 7. <b>SK-350G-xx</b> | Box 350 top                          | 18.                             | Console (included with the side)                   |
| 8. <b>PA-77-xxx</b>  | PA-77 profile                        | 19.                             | Console guide (included with the side)             |
| 9. <b>PP-95-xx</b>   | PA-77 profile guide                  | 20. <b>PEG-14</b>               | PA-77 top profile                                  |
| 10. <b>BR-RP-2</b>   | Double sliding roller L (PA-77)      | 21. <b>ZM-SKK</b>               | Box key lock                                       |
| 11. <b>BR-RP-2</b>   | Double sliding roller P (PA-77)      |                                 |  |
| 12. <b>SW 70</b>     | Steel octagonal pipe Ø 70            |                                 |  |

## NOTE!

As standard, the back of the SK 350 box is not built up. The SK 350 box is larger than the total gate width by 2 cm.

# INSTALLATION

## METHODS OF INSTALLATION AND DIMENSIONING

### INSTALLATION ON THE WALL

#### METHOD OF MEASURING THE GATE:

Width:

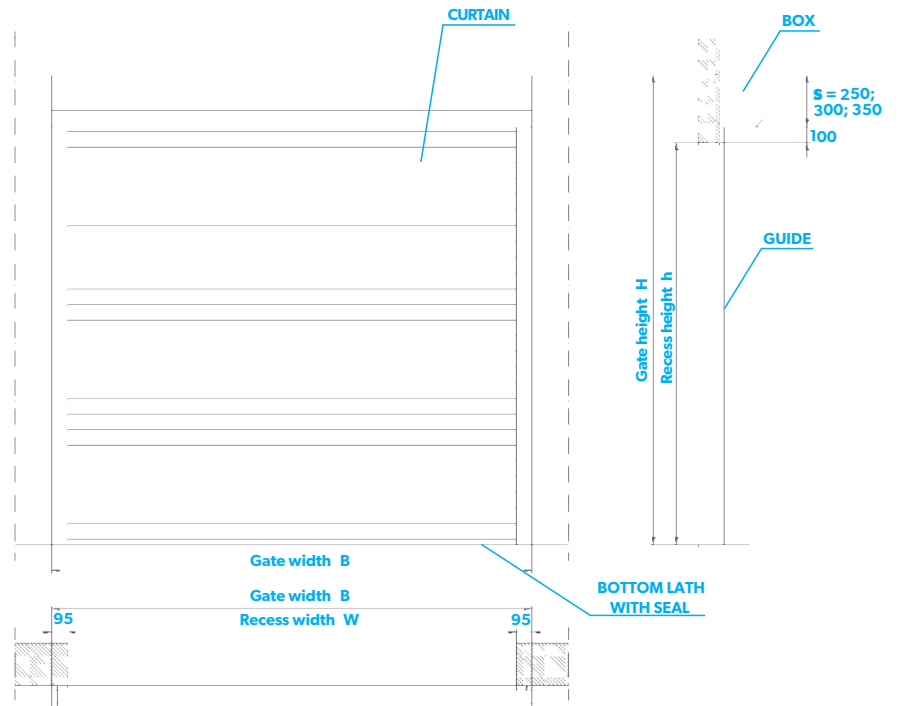
$$B = w + 2 \times 75 \text{ mm (PA-55);}$$

$$B = w + 2 \times 95 \text{ mm (PA-77);}$$

Height:

$$H = h + 100 \text{ mm} + S;$$

S – depending on the size of the box



### INSTALLATION IN THE WINDOW RECESS

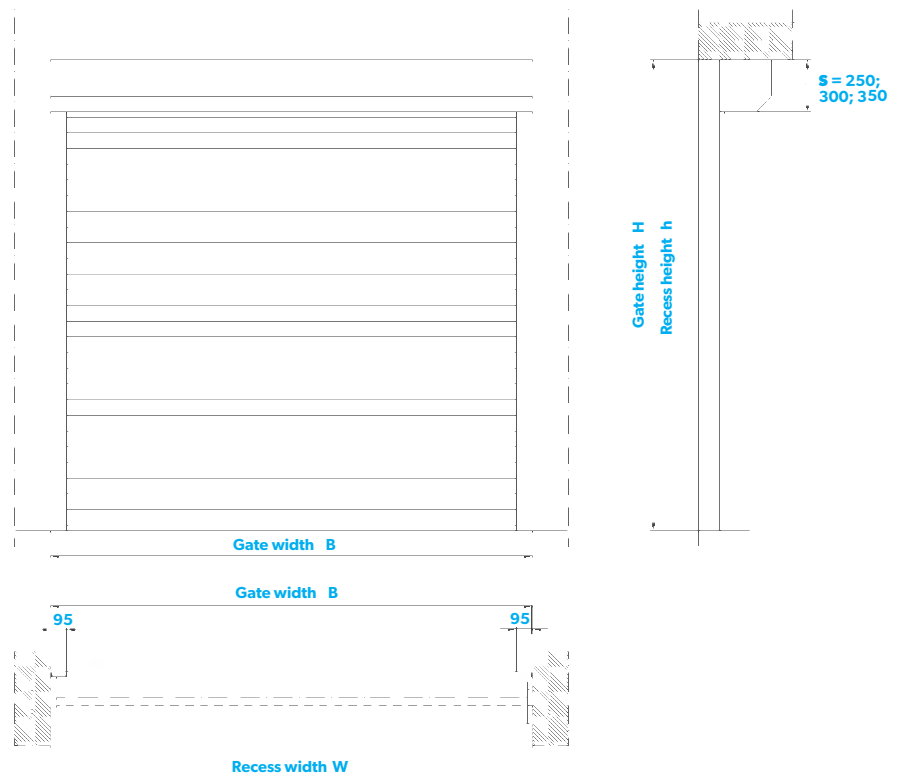
#### METHOD OF MEASURING THE GATE:

Width:

$$B = w;$$

Height:

$$H = h;$$



#### NOTE!

As standard, the back of the SK 350 box is not built up. The SK 350 box is larger than the total gate width by 2 cm.














# DRIVE SELECTION TABLE

	PA-52 Rolled cover		PA-55 Rolled cover		PA-77 Rolling gate
	Ø 60	Ø 70	Ø 60	Ø 70	Ø 70
PORTOS	S 60/20 S 60/30	S 70/60	S 60/20 S 60/30 S 60/40	S 70/60	S 70/60 S 70/100
PORTOS NHK *	S 60/20 NHK S 60/30 NHK	S 70/60 NHK	S 60/20 NHK S 60/30 NHK S 60/40 NHK	S 70/60 NHK S 70/100 NHK	S 70/60 NHK S 70/100 NHK
LT	LT 50 10/17 LT 50 20/17 LT 50 35/17	LT 60 40/17	LT 50 10/17 LT 50 20/17 LT 50 35/17 LT 50 40/17	LT 60 40/17 LT 60 60/12 LT 60 80/12 LT 60 100/12 LT 60 120/12	LT 60 40/17 LT 60 60/12 LT 60 80/12 LT 60 100/12 LT 60 120/12
LT NHK *	LT 50 10/17 NHK LT 50 25/17 NHK LT 50 40/17 NHK	LT 60 60/12 NHK	LT 50 10/17 NHK LT 50 25/17 NHK LT 50 40/17 NHK LT 50 50/12 NHK	LT 60 60/12 NHK LT 60 80/12 NHK LT 60 100/12 NHK LT 60 120/12 NHK	LT 60 60/12 NHK LT 60 80/12 NHK LT 60 100/12 NHK LT 60 120/12 NHK
ILMO2	Ilmo2.50 NHK WT 10/17 Ilmo2.50 NHK WT 20/17	X	Ilmo2.50 NHK WT 10/17 Ilmo2.50 NHK WT 20/17	X	X
REVOLINE NHK	X	REVOLINE NHK 11/6 REVOLINE NHK 11/8	X	REVOLINE NHK 11/6 REVOLINE NHK 11/8 REVOLINE NHK 11/10	REVOLINE NHK 11/6 REVOLINE NHK 11/8 REVOLINE NHK 11/10

\* drives with an emergency lifting mechanism require selection of appropriate manual control elements, i.e. a pin and emergency lifting crank

- Solutions for wired drives
- Solutions for the RTS control system
- Solutions for the IO control system
- Solutions for the NICE control system

# CONTROL SYSTEM SELECTION TABLE

	CONTROL UNIT WITH A RADIO RECEIVER	PORTABLE REMOTES	WALL TRANSMITTERS	SET			
				PREMIUM	PRESTIGE	OPTIONAL	
RTS CONTROL SYSTEM	ROLLIXO OPTIMO RTS	 Pilot Keytis 2 NS, 2-channel remote	 Wall transmitter - 2-channel	- Rubber gasket with sensor (1 mb)	- Rubber gasket with sensor (1 mb)		
		 Keytis 4 NS, 4-channel remote	 Radio Digipad RTS code keypad	- Resistance mounting kit (for 1 gate)	- Resistance mounting kit (for 1 gate)	- Box with a coiled cable (for 1 gate)	Orange 230V warning light with a breaker for Elixo, Ixengo, Axroll, Rollixio
		 KEYGO 4 RTS remote		- Box with a coiled cable (for 1 gate)	- SOMFY aluminium rail (1 rm) *	- SOMFY aluminium rail (1 rm) *	 Alu-housing of photocells
IO CONTROL SYSTEM	ROLLIXO IO	 Pilot Keygo 4 IO remote (1-way)	 Metal radio IO keypad	- Rubber gasket with sensor (1 mb)	- Rubber gasket with sensor (1 mb)		
				- Resistance mounting kit (for 1 gate)	- Resistance mounting kit (for 1 gate)	- Box with a coiled cable (for 1 gate)	Orange warning light, 24V LED
NICE CONTROL SYSTEM	MC200 - Control unit for one actuator, built-in radio multicode FLO/FLOR/SMILO	 ERA FLOR remotes		- Box with a coiled cable (for 1 gate)	- SOMFY aluminium rail (1 rm) *		
		 FLOR remotes		- SOMFY aluminium rail (1 rm) *	- Master Pro Bitech photocell set	Alu-housing of photocells	

BASIC SET	
WIRE CONTROL	MONOSTABLE SWITCH
PORTOS, SOMFY, ELERO	PKLX2N, PKLX2, PMX2N, PMX2, 1800007, 1800244, 1800245

\* refers to rolled covers with profile PA-55

# PRICE LIST

## MAXIMUM LIFTING CAPACITY OF PORTOS DRIVES

	Ø 60	Ø 70
60/20	32 kg	—
60/20 NHK#427	32 kg	—
60/30	43 kg	—
60/30 NHK#427	43 kg	—
60/40	58 kg	—
60/40 NHK#427	58 kg	—
60/50	86 kg	—
60/50 NHK#427	86 kg	—
70/60	—	79 kg
70/60 NHK#527	—	79 kg
70/100	—	110 kg
70/100 NHK#527	—	110 kg



Drive for octagonal roller pipe Ø 60 with emergency lifting mechanism (drive with adapter and crown)



Drive for octagonal roller pipe Ø 70 with emergency lifting mechanism (drive with adapter and crown)

When selecting a drive, the specific weight of the curtain should be taken into account, which is:

Curtain **PA-52**: 3,0 kg/m<sup>2</sup>

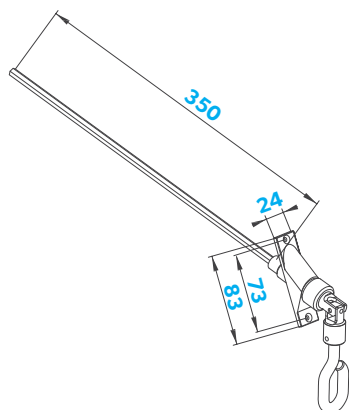
Curtain **PA-55**: 3,4 kg/m<sup>2</sup>

Curtain **PA-77**: 4,8 kg/m<sup>2</sup>

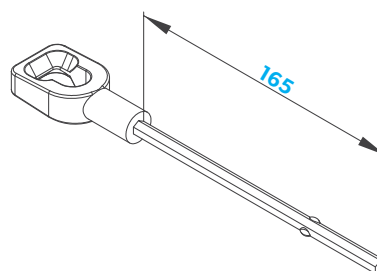
+ 20% of the safety stock

### EXAMPLE:

The PA-77 gate with curtain has dimensions of 250 × 250 cm, i.e. the curtain area is  $2.5 \times 2.5 = 6,25 \text{ m}^2$ . The area (6,25 m<sup>2</sup>) multiplied by the specific weight (4,8 kg/m<sup>2</sup>) indicates the total weight of the curtain - in this case 30 kg + 20% = 36 kg. The drive corresponding to these parameters is 70/60.



TZU-KRD 350 eye pin with a cardan joint.  
For boxes 250, 300 and 350 with console, NHK entry "A" or "C".



TZU-S eye pin.  
For boxes 250, 300, NHK entry "D".

### NOTE!

Connections of electric drives are contained in the "Motor Regulation Instructions" (all electrical connections should be made by an electrician with SEP qualifications).

In the case of installing radio motors with an electronic or mechanical limit switch, installation in accordance with current standards with the voltage value of 230 V 50 Hz, is required. In the event of deviations from these values, using surge protection components is recommended.



## DRIVES AND ACCESSORIES FOR ROLLING GATES AND ROLLED COVERS OF PORTOS

index	item name	price in €
<b>DRIVES</b>		
S-60/20	20 Nm motor for Ø 60 octagonal pipe	56,80 €
S-60/20 NHK#427	20 Nm motor with emergency lifting mechanism for Ø 60 octagonal pipe	90,20 €
S-60/30	30 Nm motor for Ø 60 octagonal pipe	58,80 €
S-60/30 NHK#427	30 Nm motor with emergency lifting mechanism for Ø 60 octagonal pipe	94,50 €
S-60/40	40 Nm motor for Ø 60 octagonal pipe	61,90 €
S-60/40 NHK#427	40 Nm motor with emergency lifting mechanism for Ø 60 octagonal pipe	92,55 €
S-60/50	50 Nm motor for Ø 60 octagonal pipe	65,70 €
S-60/50 NHK#427	50 Nm motor with emergency lifting mechanism for Ø 60 octagonal pipe	96,63 €
S-70/60	60 Nm motor for Ø 70 octagonal pipe	126,65 €
S-70/60 NHK#527	60 Nm motor with emergency lifting mechanism for Ø 70 octagonal pipe	149,30 €
S-70/100	100 Nm motor for Ø 70 octagonal pipe	139,75 €
S-70/100 NHK#527	100 Nm motor with emergency lifting mechanism for Ø 70 octagonal pipe	160,78 €
<b>ACCESSORIES</b>		
TZU-S	Eye pin for NHK drives	17,70 €
KRH-150	Crank with hook 150 cm for NHK drives (gates up to 300 cm high)	22,30 €
KRH-180	Crank with hook 180 cm for NHK drives (gates over 300 cm high)	28,70 €
TZU-KRD 350	Eye pin with a cardan joint for NHK drives	35,23 €
BR-US 70	Motor bracket - usual	5,20 €
BR-US NHK#	Bracket for NHK motors	3,95 €
BR-HI 60	Inertia brake for Ø 60 pipe	81,63 €
BR-HI-OBS 60	Ø 60 mounting for the inertia brake (when buying inertia brake separately)	34,80 €
BR-HI 70	Inertia brake for Ø 70 pipe	89,80 €
BR-HI-OBS 70	Ø 70 mounting for the inertia brake (when buying inertia brake separately)	34,28 €
BR-HI W5	Inertia brake with a cable	118,98 €
ZM-SKK	Box key lock (not used with TZU - KRD pin)	29,20 €
<b>CONTROL SYSTEM</b>		
PKLX2N	Surface-mounted key switch	51,40 €
PKLX2	Flush-mounted key switch	51,40 €
PMX1	Bell button	15,60 €
PMX2N	Surface-mounted roller shutter button (monostable)	23,00 €
PMX2	Flush-mounted roller shutter button (monostable)	17,00 €
RX1N	Surface-mounted frame	6,00 €
RX2	Double frame	6,00 €
RX3	Triple frame	9,50 €
RX4	Four-fold frame	14,50 €

### NOTE!

For correct operation of the drive with emergency manual lifting it is necessary to use the TZU-S or TZU-KRD 350 eye pin and the KRH-150 or KRH-180 crank with a hook.

Do not use emergency manual lifting (NHK) when the motor is under voltage. The set includes a bracket, an adapter and a crown.

The above components are not standard equipment and must be each time specified in the order.

# ELECTRIC SOMFY DRIVES FOR ROLLING GATES AND ROLLED COVERS

## MAXIMUM LIFTING CAPACITY OF SOMFY DRIVES



### SELECTION OF DRIVES FOR COVERS ON PA-52, PA-55 PROFILE

	Nm/rpm	height up to 2 m		height up to 3 m		height up to 4 m		height up to 5 m	
		Ø 60	Ø 70	Ø 60	Ø 70	Ø 60	Ø 70	Ø 60	Ø 70
PA-52, PA-55	10 Nm	16 kg	-	14 kg	-	13 kg	-	12 kg	-
	20 Nm	32 kg	-	29 kg	-	26 kg	-	22 kg	-
	30 Nm	49 kg	-	43 kg	-	39 kg	-	35 kg	-
	40 Nm	65 kg	62 kg	57 kg	56 kg	52 kg	51 kg	48 kg	46 kg
	50 Nm	81 kg	-	72 kg	-	65 kg	-	60 kg	-
	60 Nm	-	81 kg	-	73 kg	-	67 kg	-	60 kg
	70 Nm	-	92 kg	-	84 kg	-	78 kg	-	70 kg
	80 Nm	-	109 kg	-	97 kg	-	89 kg	-	80 kg
	85 Nm	-	114 kg	-	101 kg	-	92 kg	-	85 kg
	100 Nm	-	137 kg	-	112 kg	-	101 kg	-	92 kg
120 Nm	-	168 kg	-	135 kg	-	116 kg	-	102 kg	

### SELECTION OF DRIVES FOR COVERS ON PA-77 PROFILE

	Nm/rpm	height up to 2 m		height up to 3 m		height up to 4 m		height up to 5 m	
		Ø 60	Ø 70	Ø 60	Ø 70	Ø 60	Ø 70	Ø 60	Ø 70
PA-77	40 Nm	-	54 kg	-	49 kg	-	44 kg	-	40 kg
	50 Nm	-	68 kg	-	61 kg	-	56 kg	-	50 kg
	60 Nm	-	81 kg	-	73 kg	-	67 kg	-	60 kg
	70 Nm	-	92 kg	-	84 kg	-	78 kg	-	70 kg
	80 Nm	-	109 kg	-	97 kg	-	89 kg	-	80 kg
	85 Nm	-	114 kg	-	101 kg	-	92 kg	-	85 kg
	100 Nm	-	137 kg	-	112 kg	-	101 kg	-	92 kg
	120 Nm	-	168 kg	-	135 kg	-	116 kg	-	102 kg

#### EXAMPLE:

The PA-77 gate with curtain has dimensions of 300 × 300 cm, i.e. the curtain area is 3 × 3 = 9m<sup>2</sup>. The area (9m<sup>2</sup>) multiplied by the specific weight (4.8 kg/m<sup>2</sup>) indicates the total weight of the curtain - in this case 43,20 kg + 20% = 51,84 kg. The appropriate drive is with torque of 50 Nm and a load capacity of up to 61 kg.

When selecting a drive, the specific weight of the curtain should be taken into account, which is:

PA-52 curtain: 3,0 kg/m<sup>2</sup>

PA-55 curtain: 3,4 kg/m<sup>2</sup>

PA-77 curtain: 4,8 kg/m<sup>2</sup>

+ 20% of the safety stock

**NOTE!** Connections of electric drives are contained in the "Motor Regulation Instructions" (all electrical connections should be made by an electrician with SEP qualifications).

index	item name	price in €
UNIVERSAL TUBULAR DRIVES FOR Ø 60 MM PIPES		
1037061 *	LT 50 Jet 10/17	188,80 €
1041055 *	LT 50 Meteor 20/17	207,80 €
1047025 *	LT 50 Apollo 35/17	307,80 €
1049064 *	LT 50 Mariner 40/17	277,30 €
TUBULAR DRIVES WITH EMERGENCY OPENING FOR Ø 60 MM PIPES		
1037004 *	LT 50 Jet 10/17 NHK	220,90 €
1043005 *	LT 50 Gemini 25/17 NHK	266,50 €
1049019 *	LT 50 Mariner 40/17 NHK	308,30 €
1241387 *	Ilmo2 50 NHK WT 10/17	323,60 €
1241388 *	Ilmo2 50 NHK WT 20/17	369,60 €
UNIVERSAL TUBULAR DRIVES FOR Ø 70 MM PIPES		
1160068 *	LT 60 Orion 40/17	243,35 €
1162023 *	LT 60 Vega 60/12	251,45 €
1164021 *	LT 60 Sirius 80/12	370,60 €
1166025 *	LT 60 Titan 100/12	456,60 €
1167017 *	LT 60 Taurus 120/12	408,28 €
TUBULAR DRIVES WITH EMERGENCY OPENING FOR Ø 70 MM PIPES		
1162010 *	LT 60 Vega 60/12 NHK	342,43 €
1164009 *	LT 60 Sirius 80/12 NHK	371,03 €
1166010 *	LT 60 Titan 100/12 NHK	408,20 €
1167010 *	LT 60 Taurus 120/12 NHK	642,40 €
RTS - CONTROLS AND ACCESSORIES		
1870305 **	Rollixo Optimo RTS - gate controller with an integrated radio receiver - <b>433 MHz rolling code</b> <i>NEW</i>	123,30 €
9015034	Orange 230V warning light with a breaker for Elixo, Ixengo, Axroll, Rollixo	88,30 €
1841233	Master Pro Bitech photocell set	65,08 €
9015132	Alu-housing of photocells	47,60 €
1841026	Keytis 2 NS 2-channel remote	29,20 €
1841025	Keytis 4 NS 4-channel remote	38,40 €
1841064	KEYGO 4 RTS remote - for key ring	40,55 €
1841027	2-channel wall transmitter	46,53 €
1841030	Radio Digipad RTS code keypad	72,45 €
1870917	Radio Keypad RTS code keypad	75,95 €
IO HOMECONTROL - CONTROLS AND ACCESSORIES		
1841165 **	Rollixo io - set: controller, 2 x Keygo io - <b>868 MHz rolling code</b>	302,18 €
1841233	Master Pro Bitech photocell set	65,08 €
9015132	Alu-housing of photocells	47,60 €
1782774	XSE radio transmitter for optical and resistive strip	134,70 €
1782776	Lower magnet for the lath with a radio transmitter	34,40 €
9017842	Orange warning light, 24V LED	118,98 €
1841134	Keygo 4 io remote (1-way)	78,70 €
1841193	Metal radio io keypad	224,10 €



*Rollixo Optimo RTS*

\* The motor set does not include a holder, adapter and crown

\*\* For proper operation it is necessary to use resistive security strip

index	item name	price in €
RESISTIVE SECURITY STRIP		
BR-CR	Rubber gasket with sensor (1 rm)	30,15 €
ZMR-BR	Resistance mounting kit (for 1 gate)	57,75 €
9013456 *	Box with a coiled cable (for 1 gate)	51,05 €
9014369 **	SOMFY aluminium rail (1 rm)	17,85 €
ACCESSORIES FOR GATE DRIVES		
WBLTP 60	Blocking bracket 60 for PA-55 for Ø 60 pipe	9,80 €
WB-70-77	Blocking 3-part bracket for PA-55 for Ø 70 pipe	10,05 €
WB-70-77LN	Blocking 3-part bracket for PA-77 for Ø 70 pipe with connector	10,05 €
AD-LT50	Adapter of LT50 motor E-SW 60 - somfy	2,30 €
ZB-LT50	Crown of LT50 motor E-SW 60 - somfy	2,60 €
US-PADS60	Bracket for ASA, DELUX, SOMFY	2,20 €
S-BR-US-NHK	Bracket NHK somfy	17,90 €
AD-SW70 SM	Adapter E-SW 70 E-SM - somfy	1,70 €
ZB-SW70 SM	Crown of motor SW70 E-SM - somfy	4,40 €
U-SOMFY	Mounting Bracket 100x100 MM, MAX 120 NM	11,90 €
ROCKER SWITCHES		
1800007	Rocker switch without support mode, waterproof, surface-mounted, gray	37,70 €
1800249 ***	Impulse switch, waterproof, surface mounted, gray	40,38 €
KEY SWITCHES, WATERPROOF IP 65		
1800242 ***	Key switch, impulse, surface-mounted	76,35 €
1800243 ***	Key switch, impulse, flush-mounted	76,35 €
1800244	Key switch without support mode, surface-mounted	77,20 €
1800245	Key switch without support mode, flush-mounted	81,40 €
RTS RECEIVERS		
1841022	Universal RTS impulse receiver (two-channel)	91,70 €
1841102	RTS receiver with Dry contact	137,40 €
IO RECEIVER		
1841229	IO Receiver - Access receiver io compatible	193,80 €

\* The delivery date is set individually.

\*\* Only to be used with the PA-55 profile.

\*\*\* To be used only with the Axroll or Rollixo controller.

When choosing a resistive strip as a safety element for an example gate made on the PA-77 profile 350 cm wide, the following elements should be calculated:

Rubber gasket with sensor - 4 running meters (depending on the cover width)	4 x 30,15 €
Resistance mounting kit - 1 piece for one gate	1 x 57,75 €
Box with coiled cable - 1 piece for one gate	1 x 51,05 €

If you choose a rolled cover on the PA-55 profile, the following element should be additionally estimated:

Aluminium rail - 4 running meters (also depending on the cover width)	4 x 17,85 €
---	-------------

## ELECTRIC ELERO DRIVES FOR ROLLING GATES AND ROLLED COVERS



index	item name	price in €
NHK ELERO DRIVES FOR Ø 70 MM OCTAGONAL PIPE		
310610005 *,**	Revoline NHK 11/6	278,48 €
311310003 *,**	Revoline NHK 11/8	305,53 €
313240003 *,**	Revoline NHK 11/10	354,20 €

\* – Set (drive, adapter, crown, mounting plate)

\*\* – The product is available while stocks last

### MAXIMUM LIFTING CAPACITY OF ELERO DRIVES

	Rolling gate height		
	up to 3 m	up to 4 m	up to 5 m
Revoline NHK 11/6	77 kg	71 kg	69 kg
Revoline NHK 11/8	104 kg	92 kg	86 kg
Revoline NHK 11/10	124 kg	113 kg	104 kg

When selecting a drive, the specific weight of the curtain should be taken into account, which is:

PA-52 curtain: 3,0 kg/m<sup>2</sup>

PA-55 curtain: 3,4 kg/m<sup>2</sup>

PA-77 curtain: 4,8 kg/m<sup>2</sup>

+ 20% of the safety stock

#### EXAMPLE:

The PA-77 gate with curtain has dimensions of 250 × 250 cm, i.e. the curtain area is 2.5 × 2.5 = 6.25m<sup>2</sup>.

Area (6.25 m<sup>2</sup>) multiplied by specific weight (4.8 kg/m<sup>2</sup>) indicates the total weight of the curtain - in this case 30 kg + 20% = 36 kg. The drive corresponding to these parameters is Revoline 11/6 NHK.

## ELECTRIC NICE DRIVES FOR ROLLING GATES AND ROLLED COVERS



index	item name	price in €
FLOR-S REMOTES - FLOR RADIO TRANSMISSION		
FLO1R-S	FLOR 1-channel remote, 433.92 MHz, rolling code, black	29,75 €
FLO2R-S	FLOR 2-channel remote, 433.92 MHz, rolling code, black	31,38 €
FLO4R-S	FLOR 4-channel remote, 433.92 MHz, rolling code, black	37,60 €
ERA FLOR REMOTES - FLOR RADIO TRANSMISSION, O-CODE OPERA CODING		
FLO1RE	ERA FLOR 1-channel remote, 433.92 MHz, rolling code, black	29,75 €
FLO2RE	ERA FLOR 2-channel remote, 433.92 MHz, rolling code, black	31,38 €
FLO4RE	ERA FLOR 4-channel remote, 433.92 MHz, rolling code, black	33,80 €
CONTROL UNIT		
MC200	Control unit with one actuator, integrated radio multicode FLO/FLOR/SMILO automatic closing, 230 V	87,95 €

**NOTE!** The above elements are not standard equipment and must always be specified in the order..

# EXTRA CHARGE

Box enlargement to 300 mm	60,50 €/Stk.
Box enlargement to 350 mm	189,00 €/Stk.
Varnishing the box (07* - light gray, 16* - ivory, 26* - steel olive)	49,40 €/Ifm
Varnishing the sides with wood-like colors (30 - walnut, 48 - golden oak)	31,50 €/Paar
Varnishing the guide (07* - light gray, 16* - ivory, 26* - steel olive)	22,75 €/Ifm
Veneering the PP-75 guide (one-sided - from the outside, veneer color list p. 4)	22,75 €/Ifm
Veneering the PPDW-115 guide (double-sided, veneer color list p. 4)	26,00 €/Ifm
Veneering the PP-95 guide (one-sided - from the outside, 30 - walnut, 48 - golden oak)	23,00 €/Ifm
Varnishing the bottom lath (07* - light gray, 16* - ivory, 26* - steel olive)	22,75 €/Ifm
Veneering the LD-37 bottom lath in the PA-52 rolled cover (veneer color list p. 4)	16,25 €/Ifm
Veneering the LD-55 bottom lath (veneer color list p. 4)	22,75 €/Ifm
Veneering the LD-77 bottom lath (30 - walnut, 48 - golden oak)	26,00 €/Ifm
PEP 77 mm glazed profile varnished with plexiglass (by curtain colors except 30 - walnut, 48 - golden oak)	29,25 €/Ifm
PEW 77 mm ventilation profile varnished (by curtain colors except 30 - walnut, 48 - golden oak)	22,75 €/Ifm
Box rear panel 350 BLT-SK350 (colors: 01, 02, 03, 05*, 08, 09, 23, RAL 8028, RAL 8003)	36,00 €/Ifm
Division of the rolled cover box for common drive on PA-52, PA-55 curtain (only Ø 60)	129,80 €/Stk.
Blocking 2-part bracket for ø60 pipe (WB LTP60)	9,80 €/Stk.

\* - product available until in stock, completion date up to 15 business days.

**NOTE!** The above elements are not standard equipment and must always be specified in the order.







## EXPLANATIONS TO THE ORDER FOR ROLLING GATES AND ROLLED COVERS

- Enter the number and date of placing the order and the desired delivery date.
- Please enter the delivery address for the gates if established other than the company address.

No.	Quantity	Gate size [cm]		3	4	5	6	7	8	9	10	11	12	13	14			15			16	17	18		19			
		Width (including guides)	Height (including the box)												Color	Quantity	Height from the bottom [cm]	Color	Quantity	Height from the bottom [cm]			Color	Quantity		Operation (viewed from the inside)	L	R
				Gate installation type (1)	Box size [mm]	Cable entry (3)	Type of guides	Drilling guides (4)	Box color	Box side color (applies to colors 30, 48)	Guide color	Curtain profile (PA-52, PA-55 or PA-77)	Curtain profile color according to the template	Color of the bottom lath	Color	Quantity	Color	Quantity	Height from the bottom [cm]	Color	Quantity	Height from the bottom [cm]	Electric drive	NHK entry (2) A,C,D				Notes: e.g. switches, remotes, cranks

- The width of the rolling gate (total, including guides) in centimeters. The SK 350 box is larger than the total gate width by 2 cm.
- The height of the finished rolling gate (total, including the box) in centimeters, the method of dimensioning the gate on page 21.
- The type of gate installation according to the figure A, B, C, D (fig. 1).
- Box size (250, 300 or 350) box height in millimeters. The SK 350 box is larger than the total gate width by 2 cm, the back of the SK 350 box is not built up. If the box size is not specified, it will be taken as standard from the recommended box sizes in individual boxes.
- Cable entry (fig. 3). Cable and NHK entry must not be in the same place.
- Type of guides (for the PA-52, PA-55 profile, the PP-75 guide is used, and the PP-95 guide is used for the PA-77 profile).
- Enter the drilling type for the guides: A, B (fig. 4).
- Box color (list of colors p. 5).
- Box side color (for wood-like colors: 30 - walnut, 48 - golden oak).
- Guide colors varnished or veneered (colors of veneers p. 4, PP-95 veneered only in 30, 48 colors).
- Enter the selected aluminium profile: PA-52, PA-55, PA-77.
- Color designation of the PA-52, PA-55, PA-77 profile (according to the template p. 5) as standard PA-52, PA-55, PA-77 profile - non-perforated (possibility to order PA-52, PA-55 profile with perforation, e.g. 02 - perforated white, 102 - non-perforated white; PA-77 is only a non-perforated profile).
- Color of the bottom lath - varnished or veneered (colors of veneers p. 4, LD-77 veneered only in 30, 48 colors).
- Ventilation profile - for the PA-77 profile, in the case of more than 1 piece - up to 1/3 of the gate height from the height specified by the customer  
color: 00 - raw, 01 - silver, 02 - white, 03 - gray, 05 - beige, 07 - light gray, 08 - dark brown, 09 - light brown, 16 - ivory, 23 - anthracite, 26 - steel olive.
- Glazed profile - for the PA-77 profile, in the case of more than 1 piece - up to 1/3 of the height of the gate from the height specified by the customer  
color: 00 - raw, 01 - silver, 02 - white, 03 - gray, 05 - beige, 07 - light gray, 08 - dark brown, 09 - light brown, 16 - ivory, 23 - anthracite, 26 - steel olive.
- Electric drive (if the motor is not specified - PORTOS cable motor will be selected as standard).
- Location of the emergency opening crank - select the entry type - A, C, D or F (fig. 2). Cable and NHK entry must not be in the same place.
- Side of the location of the drive switch when viewed from the inside of the room.
- Notes on individual items.  
Sketches (view from the inside) and notes can also be placed under the table.

# ORDER FOR A CURTAIN FOR ROLLING GATES AND ROLLED COVERS



No. of delivery date

stamp of the Ordering Party delivery address (if different from the Ordering Party)



No.	Quantity	Curtain profile (PA-52, PA-55, PA-77)	Curtain color	Width of the curtain with the profile plug [cm]	Height of the curtain with the bottom lath	Color of the bottom lath	Ventilation profile			Glazed profile			Type of brackets: WB370/77 WB3 LTP 60	
							Quantity	Color	Height from the bottom [cm]	Quantity	Color	Height from the bottom [cm]		
1														
2														
3														
4														
5														
6														
7														
8														
9														
10														

Please read the explanations before completing the form.  
 NOTE: Individual changes in the content of the form can lead to the incorrect execution of the order. Complaints of this type will not be considered.  
 I declare that I provide you with personal data of a natural person for the purpose of the order execution on the basis of the consent to the processing of personal data in accordance with the Regulation of the European Parliament and of the Council (EU) 2016/679 of 27 April 2016.  
 Sending print orders is tantamount to accepting the General Terms and Conditions of Sale and Delivery of PORTOS TR7 available in the Roller Shutter Price List or at [https://portosrolety.pl/download/ogolnewarunki\\_pl.pdf](https://portosrolety.pl/download/ogolnewarunki_pl.pdf)

## EXPLANATIONS TO THE ORDER FOR A CURTAIN FOR ROLLING GATES AND ROLLED COVERS

No.	Quantity	1 Curtain profile (PA-52, PA-55, PA-77)	2 Curtain color	3 Width of the curtain with the profile plug [cm]	4 Height of the curtain with the bottom lath	5 Color of the bottom lath	6 Ventilation profile		7 Glazed profile		8 Type of brackets: WB370/77 WB3 LTP 60
							Quantity	Color	Height from the bottom [cm]	Quantity	

1. Enter the selected aluminium profile: PA-52, PA-55, PA-77.

2. Color designation of the PA-52, PA-55, PA-77 profile (according to the template p. 5), as standard PA-52, PA-55, PA-77 profile non-perforated (possibility to order PA-52, PA-55 profile with perforation) e.g. 02 - perforated white, 102 - white without perforation; PA-77 is only a non-perforated profile.

3. Width of the finished curtain with profile plugs (in cm, dimensioning p. 21).

4. Height of the finished curtain with the bottom lath (in cm).

5. Color of the bottom lath - varnished or veneered (colors of veneers p. 4, LD-77 veneered only in 30, 48 colors).

6. Ventilation profile - for the PA-77 profile, in the case of more than 1 piece - up to 1/3 of the gate height from the height specified by the customer

color: 00 - raw, 01 - silver, 02 - white, 03 - gray, 05 - beige, 07 - light gray, 08 - dark brown, 09 - light brown 16 - ivory, 23 - anthracite, 26 - steel olive.

7. Glazed profile - for the PA-77 profile, in the case of more than 1 piece - up to 1/3 of the gate height from the height specified by the customer

color: 00 - raw, 01 - silver, 02 - white, 03 - gray, 05 - beige, 07 - light gray, 08 - dark brown, 09 - light brown, 16 - ivory, 23 - anthracite, 26 - steel olive.

8. For the PA-77 profile, the WB3 70/77 brackets are installed as standard. For the PA-52, PA-55 profile, the bracket type should be determined: for Ø 70 pipe - WB3 70/77; for Ø 60 pipe - WB3 LTP 60

# OPERATION/MAINTENANCE

## OPERATION AND MAINTENANCE OF THE GATE

The rolling gate and its components have been designed in such a way that they will not be permanently deformed during proper use.

During use, follow the instructions given by the manufacturer.

The gate can be used at temperatures between  $-25^{\circ}\text{C}$  and  $+65^{\circ}\text{C}$ .

Do not use the gate in case of the curtain icing.

Continuous operation of the gate should not exceed 4 minutes, the gate should be used up to 60 cycles per day. One cycle is defined as a full closure and full opening movement.

When activating the gate, within its operating range i.e. directly under the curtain, there should be no objects or persons disturbing the operation. When the gate is fully open, the bottom lath with the seal should always be in the side guides.

To close and open the rolling gate, an electromechanical drive is used, which can be equipped with an emergency opening mechanism (crank with a hook provided with the gate). The crank is used only for emergency opening - it is unacceptable to use the crank as the main drive.

When the motor is running, when the supply voltage is provided, it is not allowed to use the emergency opening (otherwise the drive may be damaged).

Inspection and maintenance work must be carried out at least every 3 months in accordance with these instructions.

Basic maintenance operations can be performed by the rolling gate user with no special entitlements.

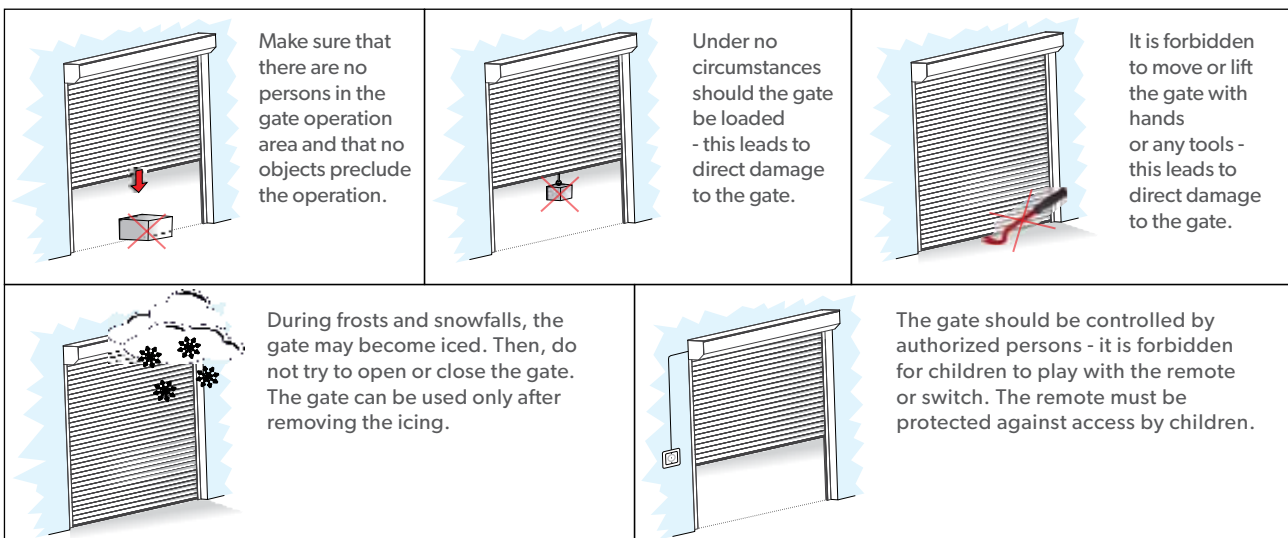
These operations consist in removing particles of sand and other impurities from the curtain and the inside of the guides, that can lead to scratches on the gate components, as well as visual inspection of the general condition of the gate, completeness control, condition and operational effectiveness of all structural elements.

When conducting maintenance operations, the following rules must be observed:

1. Maintenance must be carried out when the rolling gate is secured still, in this case it is advisable to disconnect the power supply for the time of conducting maintenance.
2. Do not use sharp or rough tools to clean the gate.
3. Do not use any viscous preservatives, such as spray grease.
4. Wash the surface of the gate with lukewarm water using mild cleaning agents with a neutral pH, preferably at the lowest temperature of  $+10^{\circ}\text{C}$ .

**NOTE!** Detergents and caustic substances can damage or discolor the paint coating.

Any damage caused due to special weather conditions or natural wear cannot be claimed. Wear of the curtain paint coating in which fine scratches can be created after about 200 cycles, may be considered natural.



.....  
/place, date/

.....  
/stamp of the Complaining Party/

# COMPLAINT

I am filing a complaint for the rolling gate purchased at PORTOS –  
according to the Invoice No. .... of ....., delivery note No. ....  
item .....

The complaint refers to .....

.....

.....

.....

.....

.....

.....

.....

.....

.....

.....

.....

Therefore, I am asking for .....

.....

.....

.....

Contact details of a person with SEP rights to connect drives\* .....

.....

.....

.....

I understand that:

- In the event of an unjustified call for warranty service, i.e. in which the service technician did not find an error on the part of the PORTOS company, the Complaining Party shall be charged with travel costs and possible repair;
- In the event of a call and arrival of a service technician from the Portos company, a representative of the Complaining Party must be at the place of the complaint, for determination of the fault of the defect and the manner of its removal.

I declare that I provide you with personal data of a natural person for the purpose of conducting complaint procedure on the basis of the consent to the processing of personal data in accordance with the Regulation of the European Parliament and of the Council (EU) 2016/679 of 27 April 2016.

\* – refers to complaints about drives

.....  
/signature of the person making the complaint/

# GENERAL CONDITIONS OF SALE AND DELIVERY FOR PRODUCTS OF PORTOS TR7

I. 1. The terms used in these Regulations have the following meanings:

**Seller / PORTOS** - PORTOS TR 7 Spółka z ograniczoną odpowiedzialnością based in Kalisz, address: ul. Złota 71, 62-800 Kalisz, entered into the Register of Entrepreneurs of the National Court Register by the District Court Poznań - Nowe Miasto and Wilda in Poznań under KRS number 0001055147, NIP 6180018618, REGON 250410218;

**Buyer** - a legal person or a natural person conducting business activity and ordering goods included in the Seller's commercial offer directly related to their business and professional activity, for further distribution;

**Parties** - the Seller and the Buyer jointly;

**Product / Goods** - products included in the Seller's commercial offer.

## II. PRICE

1. The Prices are net prices (they do not include VAT). The Buyer reduces the Prices indicated in the price list by the individual discount granted to him.
2. The given Prices are unit prices of goods with specified dimensions, expressed in units, running meters, pairs or sets.
3. The Price includes the cost of transporting the Products to the Buyer's registered office/ sales point, unless otherwise agreed by the Parties.
4. PORTOS may unilaterally change the price in the case of ordering at least 50 roller shutters or at least 20 roller shutters of the same size.

## III. PAYMENT AND DELIVERY

1. The place and date of delivery shall be specified by the Buyer in the order content.
2. The time of order completion in colors and with equipment specified as standard lasts 21 working days from the date of receipt of a written order by the Seller. Earlier or later date of delivery of standard products and the date of completion of non-standard products shall be agreed individually by the Parties. In special cases beyond the control of the Seller, the order completion date may be extended.
3. Orders should be submitted in writing, by fax or e-mail only on the original PORTOS order forms.
4. Placing an order is tantamount to accepting it for implementation, however, the Seller reserves the right to suspend the order execution in the event of exceeding the value of the trade credit granted or delay in payment of any receivables until the due amounts or prepayments are settled.
5. The cancellation or change of the order by the Buyer may be accepted by the Seller without any consequences only if the order has not been made (manufactured) yet. If the Buyer cancels an order already made, he is obliged to pay the full price due.
6. At the request of the Buyer, the Seller may repurchase the previously sold automation components, provided that the returned goods do not show traces of use, are not damaged, are packed in original packaging and no more than 3 months have passed from the date of release.
7. Detailed terms of cooperation, in particular discounts and payment terms, may be specified in the "Terms of cooperation" delivered in writing to the Buyer.
8. The "Terms of cooperation" may be changed only if delivered to the Buyer in writing.
9. The day of making the payment is considered to be the date on which the Seller received cash, and in the case of a transfer, the date of crediting the Seller's account.
10. The Seller may change the terms and conditions of cooperation with immediate effect without notifying the Buyer, if the Buyer:
  - a) makes late payments for the delivered goods,
  - b) grossly violates the terms of cooperation,
  - c) has filed an unfounded complaint at least twice.
11. The Buyer undertakes to collect the ordered goods at the agreed time and carry out unloading at the place of delivery.
12. Risks of damage or loss of Goods shall pass to the Buyer upon starting the unloading.
13. The Buyer may collect the Goods with his own transport during the working hours of the Seller's warehouses and after prior appointment. In the event of collecting by a person other than the owner of the company or a person authorized to represent the Buyer in accordance with the entry in the relevant register of entrepreneurs, a written authorization for collection issued by a person authorized to represent the Buyer is required.
14. At the request of the Buyer, the Seller may send the Goods using forwarding or courier services. In this case, the shipping costs are borne by the Buyer, and upon the release of the Goods, the risk of its loss or damage passes to the Buyer.
15. Handing over of goods to the Buyer is always carried out on the basis of a delivery note (WZ). Signing the document by both Parties without any objections means that the Goods have been handed over in quantity included in the delivery note and have no apparent defects.
16. If the Buyer fails to collect the goods on the previously agreed and confirmed date, the Buyer shall pay to the Seller a contractual penalty in the amount of 1% (one percent) of the gross value of the uncollected order for each day of storing the goods uncollected by the Buyer. Re-delivery to the Buyer's registered office/ sales point shall be made upon payment of the contractual penalty referred to in the preceding sentence and payment of the entire price for the uncollected delivery. The Seller may demand from the Buyer a complementary compensation if the contractual penalty does not cover the damage suffered by the Seller.
17. After one month has passed from the day on which the Buyer was obliged to collect the goods, the Seller may withdraw from the contract within a further period of two months, without prejudice to the Buyer's obligation to pay the contractual penalty for failure to collect the goods on time.

## IV. COMPLAINTS OF APPARENT AND QUANTITATIVE DEFECTS

1. A complaint procedure is processed as defined in the Product Warranty Certificate. In case of any discrepancies between these Sales Terms and Conditions and the content of the Product Warranty Certificate, the provisions of Warranty Certificate shall prevail.
2. It is the duty of the Buyer to check the quantity of delivered Products at the time of delivery. Any discrepancies shall be immediately reported to the driver or the warehouse worker and recorded in the Stock Issue Confirmation or otherwise the Buyer shall lose its right to raise any claims thereunder.
3. Any missing quantities of Goods shall be immediately delivered by the Seller and the Buyer shall be obliged to pay for the actually delivered goods within the agreed deadline.
4. Apparent defects such as: mechanical damage, deep scratches, cracks and broken items shall be reported at the time of delivery and recorded in the Stock Issue Confirmation or otherwise the Buyer shall lose its right to raise any claims thereunder. Complaints concerning scratched, dented, bent or damaged elements shall not be considered if the roller shutter has been in-

stalled.

5. Any Product with apparent defects, which has been returned to the Seller, shall be immediately repaired or replaced by the Seller.
6. The Buyer shall be obliged to pay for the delivered Goods in the part that is not complained about.
7. Minor defects, that are invisible after the installation, such as: scratches on the aluminum box adjacent to the wall, shall not be subject to complaints and are excluded from the warranty.
8. Orders placed in a form other than an original order form of the Seller shall not be subject to complaints.

## V. WARRANTY

1. The Seller hereby grants the Warranty for the purchased Products on terms and conditions specified in the Product Warranty Certificate. In case of any discrepancies between these Sales Terms and Conditions and the content of the Product Warranty Certificate, the provisions of Warranty Certificate shall prevail.
2. Any defects that cannot be identified at the time of delivery shall be reported by the Buyer in writing, forthwith after finding such defects, but not later than 14 days after the delivery of goods or otherwise the Buyer shall lose its rights under the warranty.
3. The Buyer's rights under the Warranty arise once the delivered Products are fully paid for.
4. The Warranty excludes any effects of improper installation (connection) of the purchased Products, their improper use, regular wear and tear and the cases specified in the Warranty Certificate.
5. The Seller shall repair the Product or replace it with a Product free of defects within 30 days as of the date of filing the complaint, with the reservation that the time needed for the removal of more complex defects may be extended. The time for the removal of defects may also be extended should any subassemblies require to be replaced and the Manufacturer does not have them or should any adverse weather conditions occur in the place where the defect is to be removed, which prevent the implementation of any technological process necessary for the defect removal.
6. Differences in shades of components of the product of the same colours, in particular wood-grain colours, as well as differences caused by structural colour patterns. These discrepancies are dependent on the semi-finished products delivered by manufacturers at different intervals.
7. For wood-like coloured curtains some tonal difference, such as subtle streaks and stripes of lighter and darker tones might occur. This is a result of characteristics of the production process and imitation of wood structure. Differences of that type are not the ground for complaint.
8. Because of natural external factors, such as temperature and humidity and its own weight, the roller shutter curtain might distort and result in nonlinear layering. Prolonged lowered position of the curtain might result in distortion of brush seals located in the guide, which causes nonlinear layering. Distortion of this type does not influence technical characteristics and durability of the curtain and is not the ground for complaint.
9. The Buyer shall lose its rights under the Warranty if the Product has been damaged as a result of the Buyer's failure to observe recommendations included in the assembly manuals and in technical specifications for roller shutters, gates, roller security shutters and electrical equipment.
10. Services under the warranty are provided only for PORTOS products installed on the territory of Poland. In case of PORTOS products installed outside of the territory of Poland, the warranty services consist in sending relevant self-repair kits and it is the Buyer who performs all the necessary repairs at its own cost and risk.
11. In case of built-in elements of roller shutters or gates, such as guides or access doors, the Buyer, at its own expense, shall be obliged to provide the Seller's service technician with free access to the roller shutter or gate so that they could be repaired. In case of roller shutters installed at any level higher than the ground floor, the Buyer shall provide a scissor lift or scaffolding.
12. Should the warranty service technician be called without justified reasons, the Buyer shall bear the travel costs to the installation place of the product complained about and the costs of repair.

## VI. DOCUMENTS REQUIRED FOR COOPERATION

1. In order to start commercial cooperation, the Buyer is obliged to submit the following documents to PORTOS:
  - Certificate of entry in the register of business activity or excerpt from the register of entrepreneurs of the National Court Register or other register of entrepreneurs kept by the state in which the Buyer has its registered office;
  - Certificate of assignment of the REGON number;
  - Decision on assigning a tax identification number (NIP);
  - Declaration of consent for issuing invoices without a signature (original) and a list of persons authorized to receive and sign VAT invoices - signed by a person authorized to represent the Buyer or a person authorized by him in writing.

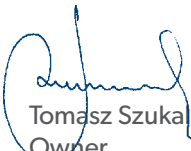
## VII. OTHER PROVISIONS

1. At the Buyer's request, the Seller may organize a training on the installation, service and repairs of the offered products.
2. The Seller undertakes to provide the Buyer with a catalog of finished products and advertising brochures free of charge.
3. At the request of the Buyer, the Seller may make a roller shutter for advertising and exhibition purposes, including a partial refund of the exhibition in the form of an individually agreed discount.
4. The Seller reserves the right to make technical and design changes in the presented catalog offer without prior notification to the Buyer.
5. These General Terms of Sale and Delivery are the only contractual regulation binding on the parties for the sale of goods.
6. The Buyer accepts the above terms of sale and delivery by placing the relevant signature at the time of placing the order.
7. In matters not covered by the above provisions, the relevant provisions of the Civil Code shall apply.
8. All disputes arising from the implementation of the above provisions shall be settled by the common court competent for the Seller's registered office.
9. All photos and drawings contained in the catalog are for reference only.
10. Detailed installation instructions for roller shutters and Products are included on the website [www.portosrolety.pl](http://www.portosrolety.pl).

# EU DECLARATION OF CONFORMITY

<b>No</b>	SP/23/09/1
<b>1. Product model:</b>	40/10 S, 40/10, 60/10, 60/10 S, 60/20, 60/20 NHK, 60/30, 60/30 NHK, 60/40, 60/40 NHK, 60/50, 60/50 NHK, 70/60, 70/60 NHK, 70/100, 70/100 NHK SSR-BIDI 40/10, SSR-BIDI 60/10, SSR-BIDI 60/20 YYGL35SD-6/17, YYGL45SD-10/15, YYGL35S-10/17, YYGL45S-10/17, YYGL45S-20/15
<b>2. Name and address of the manufacturer:</b>	„PORTOS” TR7 spółka z ograniczoną odpowiedzialnością ul. Złota 71 PL 62-800 Kalisz
<b>3. This declaration of conformity is issued under the sole responsibility of the manufacturer.</b>	
<b>4. Object of the declaration:</b>	Tubular motor
<b>5. The object of the declaration described above is in conformity with the relevant Union harmonisation legislation:</b>	EMC 2014/30/UE LVD 2014/35/UE ROHS 2011/65/UE WEEE 2012/19/UE
<b>6. References to the relevant harmonized standards used or references to the other technical specifications in relation to which conformity is declared:</b>	PN-EN IEC 60335-2-97:2023-11 PN-EN 60335-1:2012 PN-EN 50419:2023-05 PN-EN IEC 63000:2019-01 PN EN 61000-3-3:2013 PN-EN 61000-4-4:2013-05 PN-EN 61000-4-5:2014-10
<b>7. Additional information:</b>	

Signed for and on behalf of :

  
Tomasz Szukański  
Owner  
Kalisz, 01.09.2023

# DECLARATION OF PERFORMANCE

<b>Nr</b>	<b>05/2023</b>
<b>1. Unique identification code of the product-type:</b>	Rolling gate - Rolling shutter gate with drive
<b>2. Intended use/es:</b>	Rolling gate
<b>3. Manufacturer:</b>	PORTOS TR7 spółka z ograniczoną odpowiedzialnością
<b>4. Authorised representative:</b>	Not applicable
<b>5. System/s of AVCP:</b>	4
<b>6.</b>	
<b>a) Harmonised standard:</b>	PN-EN 13241:2003+A2 2016 „Gates. Product standard. Part 1: Products without fire-resistance properties” PN-EN 12453:2017 „Gates.”
<b>Notified body/ies:</b>	Building Research Institute in Warsaw; No. 1488
<b>b) European Assessment Document:</b>	Not applicable
<b>European Technical Assessment:</b>	Not applicable
<b>Technical Assessment Body:</b>	Not applicable
<b>Notified body/ies:</b>	Not applicable
<b>7. Declared performance/s:</b>	Wind resistance class 1+4 according to PN-EN 12424:2002
<b>8. Appropriate Technical Documentation and/or Specific Technical Documentation:</b>	Not applicable

The performance of the product identified above is in conformity with the set of declared performance/s. This declaration of performance is issued, in accordance with Regulation (EU) No 305/2011, under the sole responsibility of the manufacturer identified above.

Signed for and on behalf of the manufacturer by:



Tomasz Szukalski  
Owner  
Kalisz, 01.09.2023





