

PLEATED MOSQUITO NET

TECHNICAL CATALOGUE





TABLE OF CONTENTS:

Cross-section and list of parts	4
Mosquito net elements	16

Pleated mosquito net



*All pictures and drawings included herein are only for illustrative purposes.
PORTOS reserves the right to make changes.
©2024 PORTOS. All rights reserved*

PLEATED MOSQUITO NET

KEY:



Approximate weight of the element (in kilos).

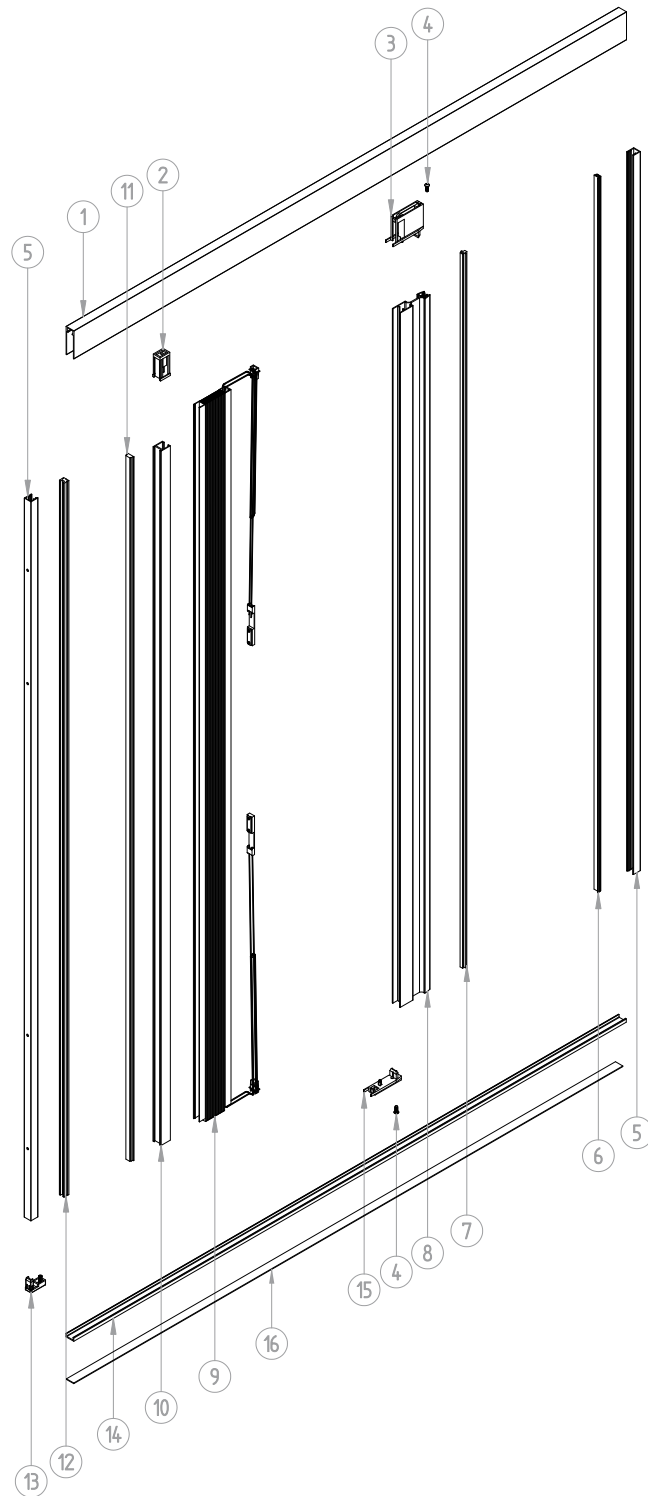
Maximum length of long elements (in metres)

Material the element is made of (e.g. PCV, STEEL, PA6 etc.)

Elements with a lining option.

Elements of the pleated mosquito net system

Cross-section and list of parts



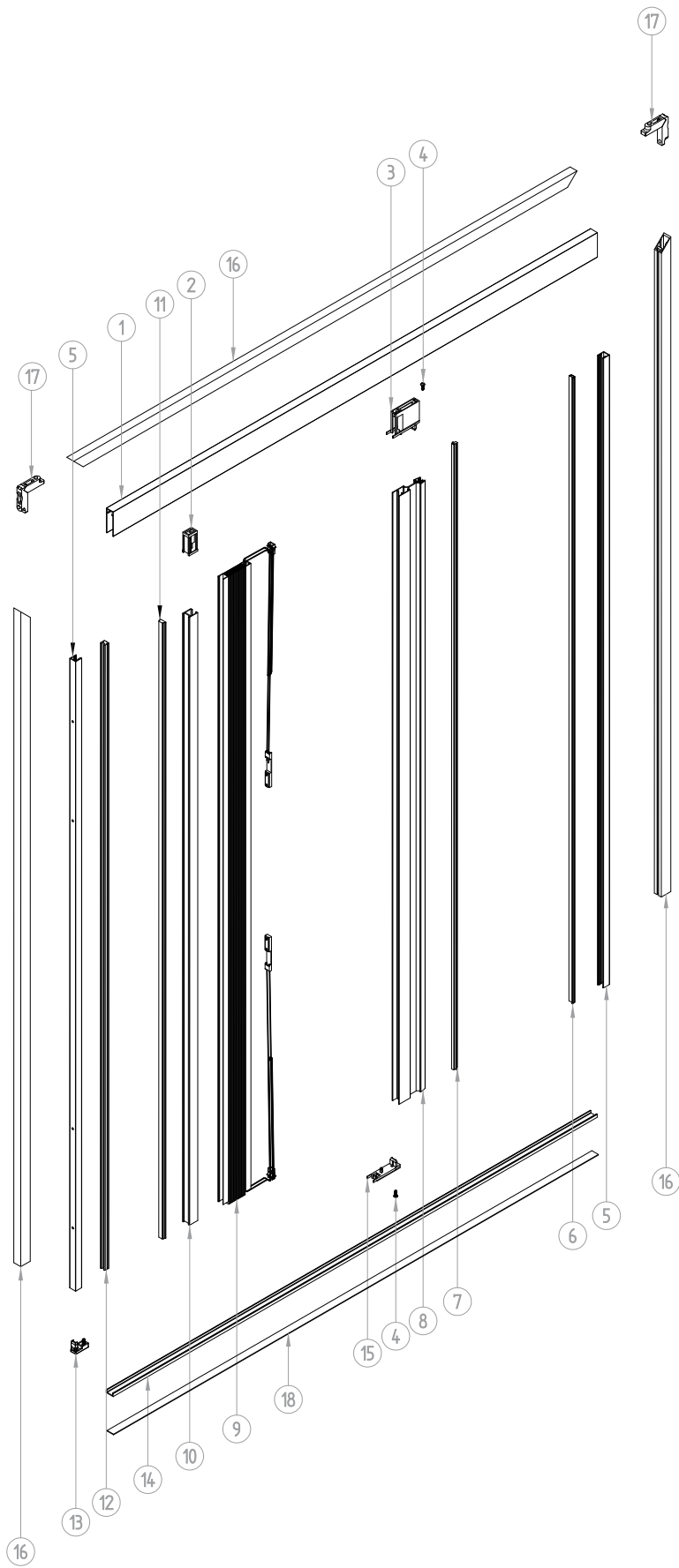
PLEATED MOSQUITO NET

single, independent - cross-section and list of parts

1	MSR-020	Upper guide
2	MSD-060	Side end cap of the net - TOP
3	MSD-040	End cap of the end profile - top
4	WKR 2,8x9 2	Bolt 2,8x9
5	MSR-040	Side guide
6	MSD-190	Magnetic closure
7	MSD-180	Bipolar magnet
8	MSR-010	End profile with a handle
9	MSS-XXX	Net package of the pleated mosquito net
10	MSR-050	C Profile closure
11	MSD-160	Negatively-charged magnet
12	MSD-150	Positively-charged magnet
13	MSD-050	Side end cap of the net - bottom
14	MSR-030	Bottom rail
15	MSD-030	End cap of the end profile - bottom
16	MSD-070	Double-sided adhesive tape 12mm

Elements of the pleated mosquito net system

Cross-section and list of parts



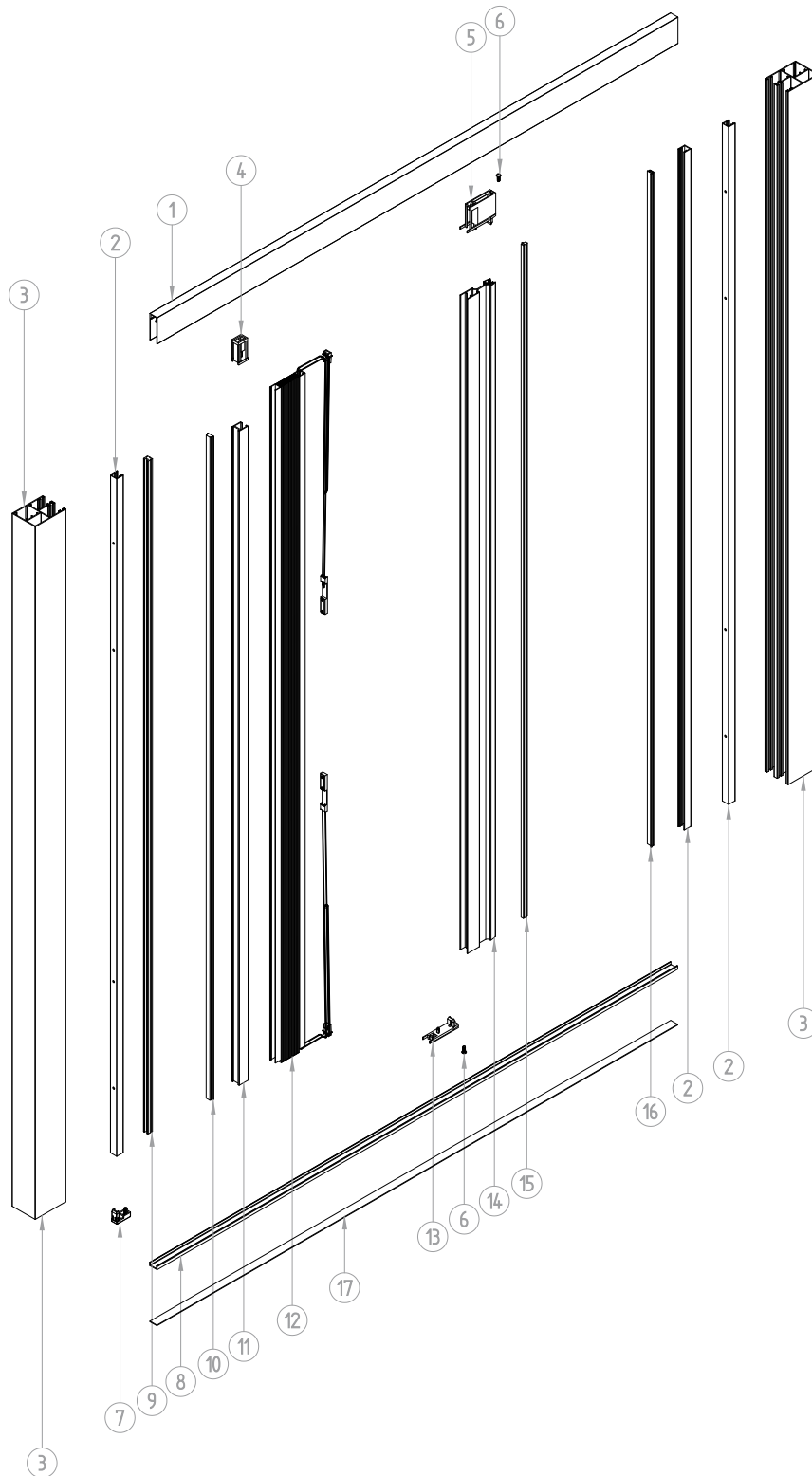
PLEATED MOSQUITO NET

single, independent, with a frame - cross-section and list of parts

1	MSR-020	Upper guide
2	MSD-060	Side end cap of the net - TOP
3	MSD-040	End cap of the end profile - top
4	WKR 2,8x9 2	Bolt 2,8x9
5	MSR-040	Side guide
6	MSD-190	Magnetic closure
7	MSD-180	Bipolar magnet
8	MSR-010	End profile with a handle
9	MSS-XXX	Net package of the pleated mosquito net
10	MSR-050	C Profile closure
11	MSD-160	Negatively-charged magnet
12	MSD-150	Positively-charged magnet
13	MSD-050	Side end cap of the net - bottom
14	MSR-030	Bottom rail
15	MSD-030	End cap of the end profile - bottom
16	MSR-060	Frontal assembly profile
17	MSD-140	45 internal angle connector to the surface mounted mosquito net
18	MSD-070	Double-sided adhesive tape 12mm

Elements of the pleated mosquito net system

Cross-section and list of parts



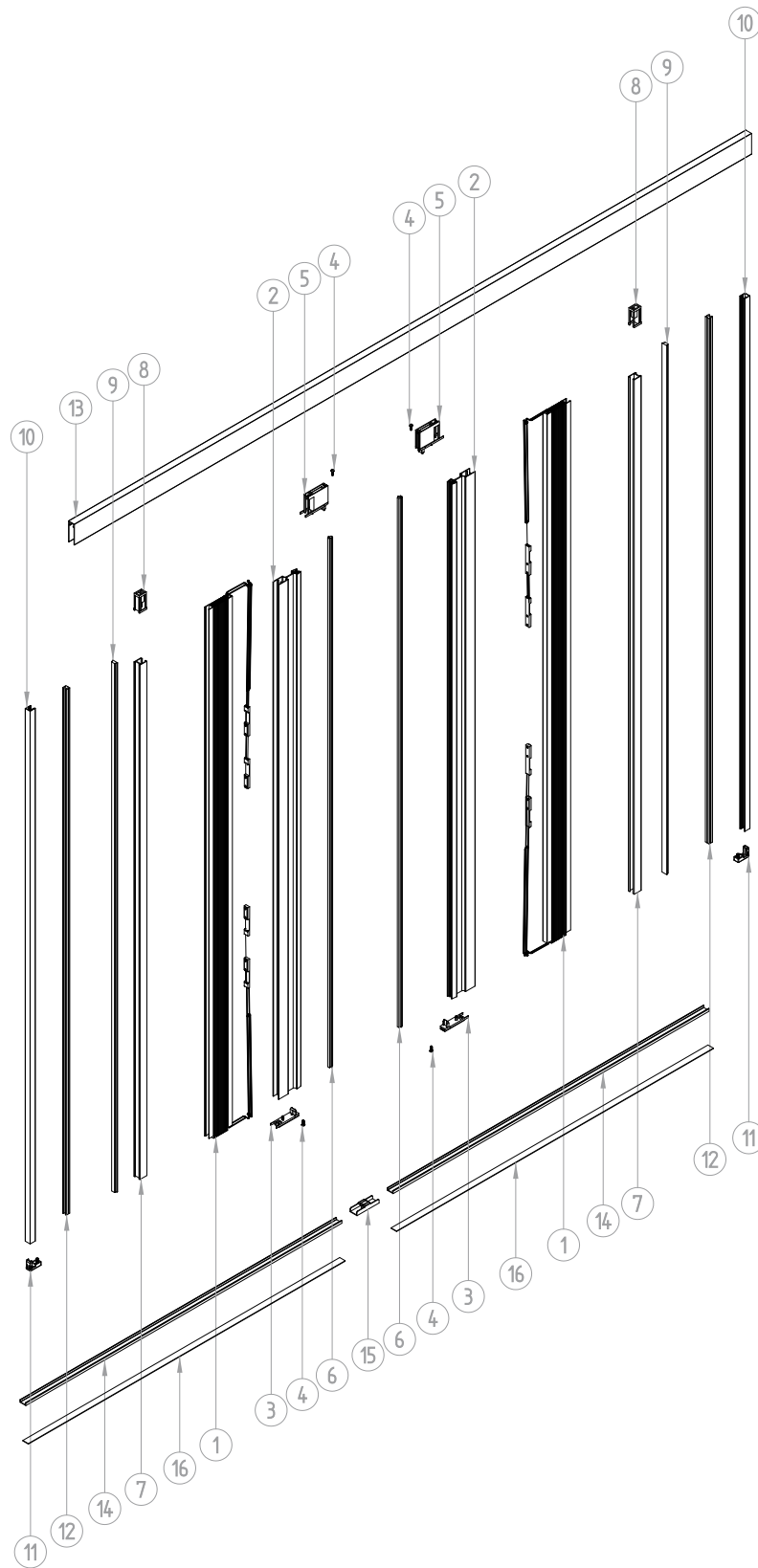
INTEGRATED PLEATED MOSQUITO NET

single, installed in guides - cross-section and list of parts

1	MSR-020	Upper guide
2	MSR-040	Side guide
3	PMPL-53	Double guide for the pleated mosquito net
4	MSD-060	Side end cap of the net - TOP
5	MSD-040	End cap of the end profile - top
6	WKR 2,8x9	Bolt 2,8x9
7	MSD-050	Side end cap of the net - bottom
8	MSR-030	Bottom rail
9	MSD-150	Positively-charged magnet
10	MSD-160	Negatively-charged magnet
11	MSR-050	C Profile closure
12	MSS-XXX	Net package of the pleated mosquito net
13	MSD-030	End cap of the end profile - bottom
14	MSR-010	End profile with a handle
15	MSD-180	Bipolar magnet
16	MSD-190	Magnetic closure
17	MSD-070	Double-sided adhesive tape 12mm

Elements of the pleated mosquito net system

Cross-section and list of parts



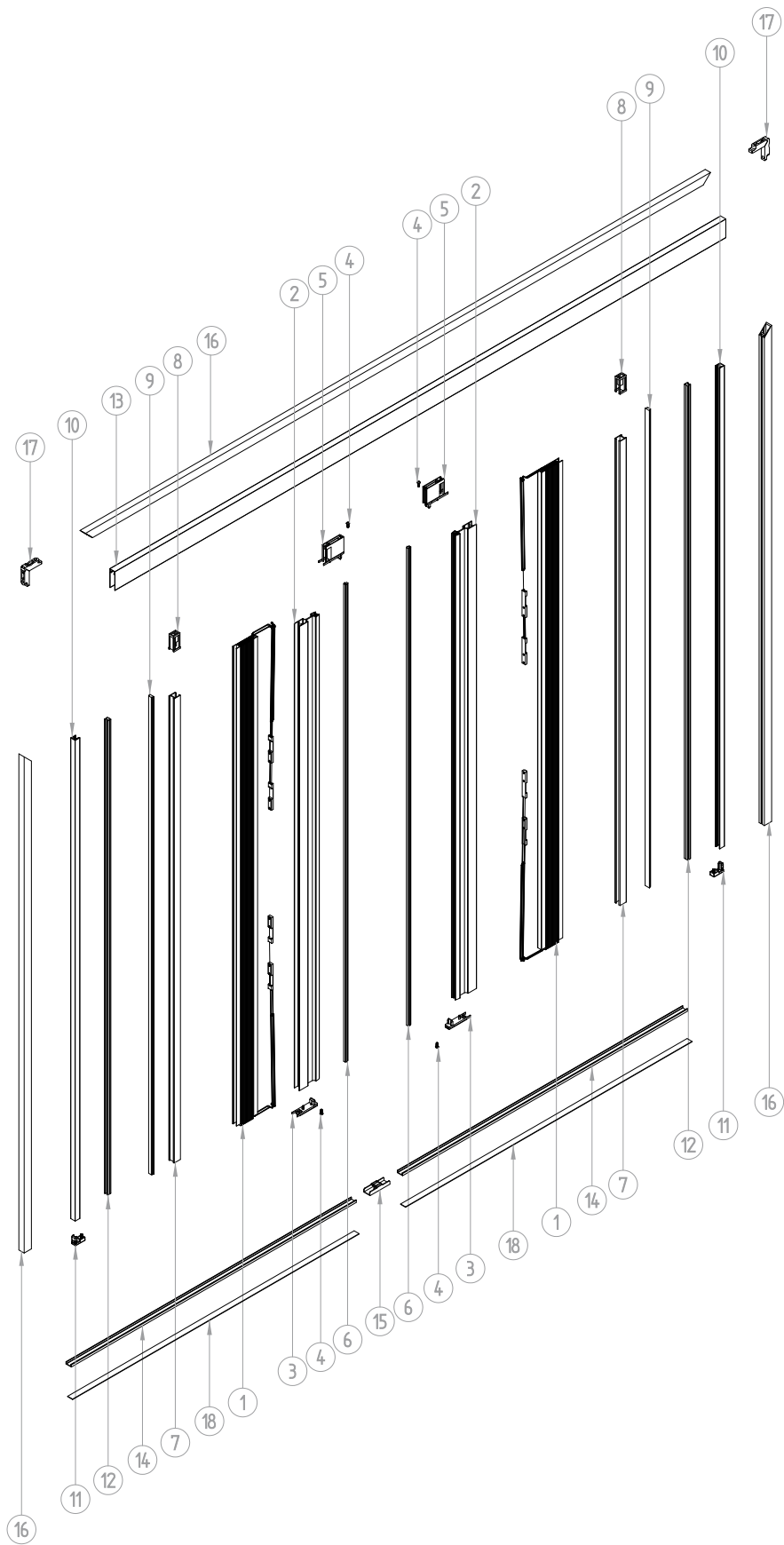
PLEATED MOSQUITO NET

double, independent - cross-section and list of parts

1	MSS-XXX	Net package of the double pleated mosquito net
2	MSR-010	End profile with a handle
3	MSD-030	End cap of the end profile - bottom
4	WKR 2,8x9	Bolt 2,8x9
5	MSD-040	End cap of the end profile - top
6	MSD-210	Magnets for the end profile
7	MSR-050	C Profile closure
8	MSD-060	Side end cap of the net - TOP
9	MSD-160	Negatively-charged magnet
10	MSR-040	Side guide
11	MSD-050	Side end cap of the net - bottom
12	MSD-150	Positively-charged magnet
13	MSR-020	Upper guide
14	MSR-030	Bottom rail
15	MSD-090	The double mosquito net cord stopper of the bottom rail
16	MSD-070	Double-sided adhesive tape 12mm

Elements of the pleated mosquito net system

Cross-section and list of parts



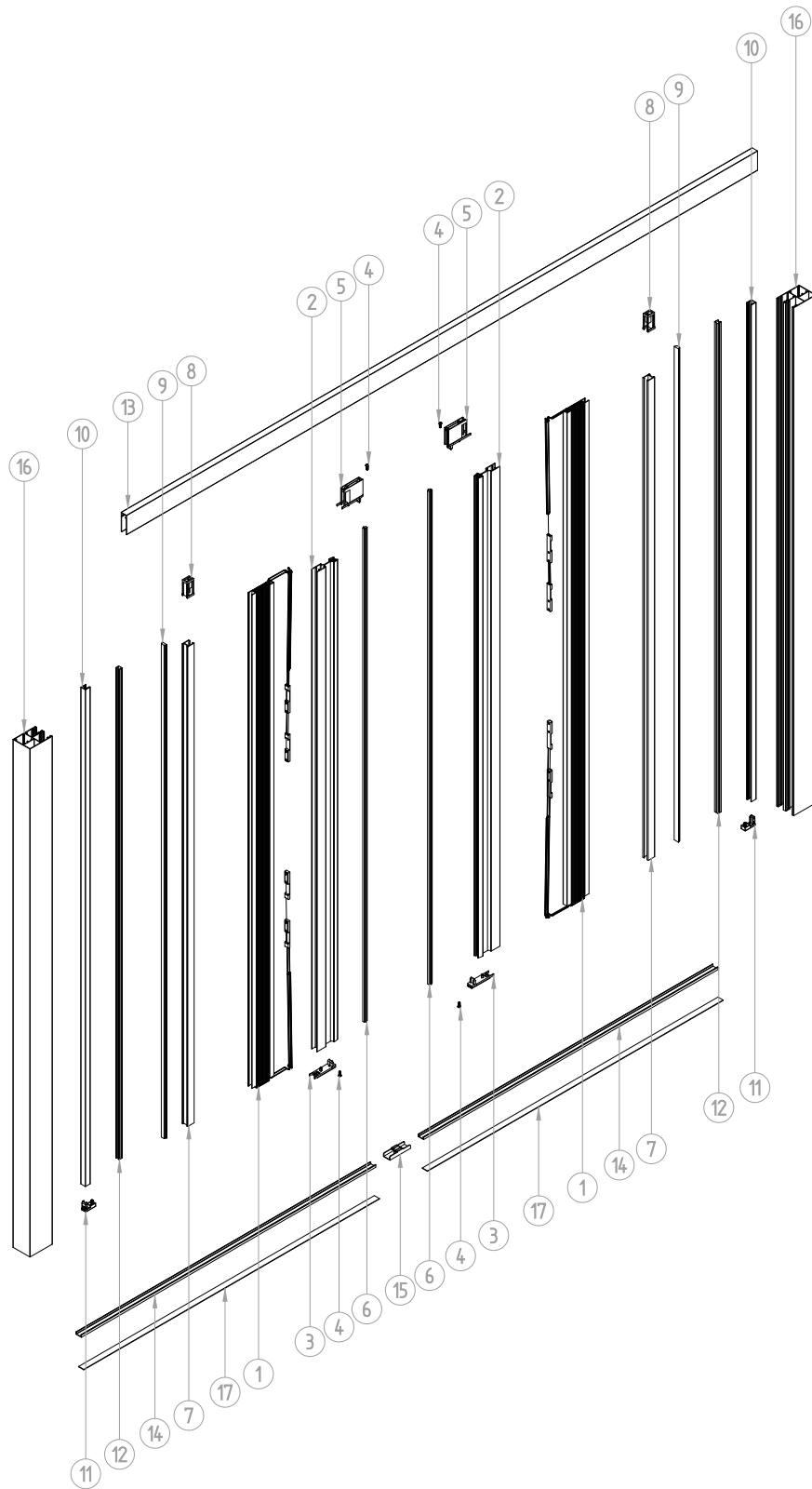
PLEATED MOSQUITO NET

double, independent, with a frame - cross-section and list of parts

1	MSS-XXX	Net package of the double pleated mosquito net
2	MSR-010	End profile with a handle
3	MSD-030	End cap of the end profile - bottom
4	WKR 2,8x9	Bolt 2,8x9
5	MSD-040	End cap of the end profile - top
6	MSD-210	Magnets for the end profile
7	MSR-050	C Profile closure
8	MSD-060	Side end cap of the net - TOP
9	MSD-160	Negatively-charged magnet
10	MSR-040	Side guide
11	MSD-050	Side end cap of the net - bottom
12	MSD-150	Positively-charged magnet
13	MSR-020	Upper guide
14	MSR-030	Bottom rail
15	MSD-090	The double mosquito net cord stopper of the bottom rail
16	MSR-060	Frontal assembly profile - length - left
17	MSD-140	45 internal angle connector to the surface mounted mosquito net
18	MSD-070	Double-sided adhesive tape 12mm

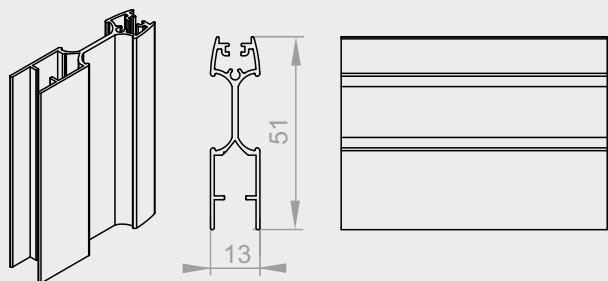
Elements of the pleated mosquito net system

Cross-section and list of parts



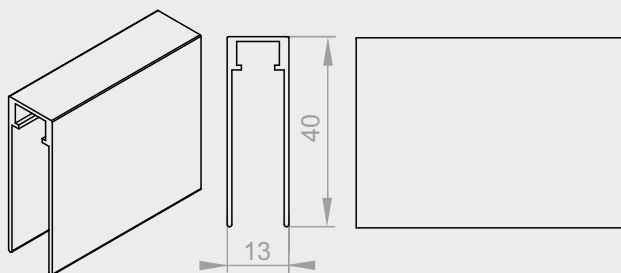
INTEGRATED PLEATED MOSQUITO NET double, installed in guides - cross-section and list of parts

1	MSS-XXX	Net package of the double pleated mosquito net
2	MSR-010	End profile with a handle
3	MSD-030	End cap of the end profile - bottom
4	WKR 2,8x9	Bolt 2,8x9
5	MSD-040	End cap of the end profile - top
6	MSD-210	Magnets for the end profile
7	MSR-050	C Profile closure
8	MSD-060	Side end cap of the net - TOP
9	MSD-160	Negatively-charged magnet
10	MSR-040	Side guide
11	MSD-050	Side end cap of the net - bottom
12	MSD-150	Positively-charged magnet
13	MSR-020	Upper guide
14	MSR-030	Bottom rail
15	MSD-090	The double mosquito net cord stopper of the bottom rail
16	PMPL-53	Double guide for the pleated mosquito net
17	MSD-070	Double-sided adhesive tape 12mm



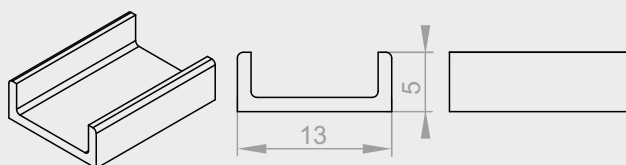
MSR-010

End profile with a handle.



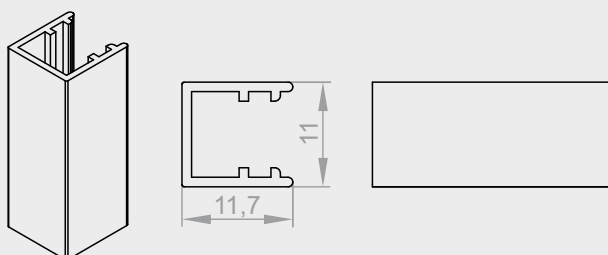
MSR-020

Upper guide.



MSR-030

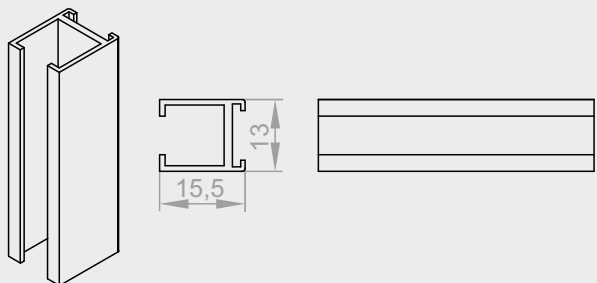
Bottom rail.



MSR-040

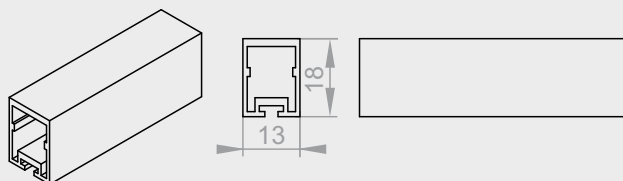
Side guide.





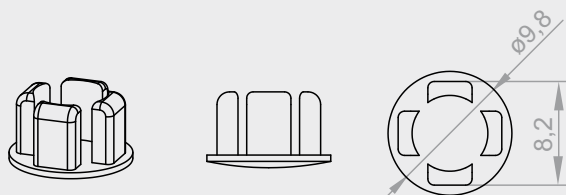
MSR-050

C Profile closure.



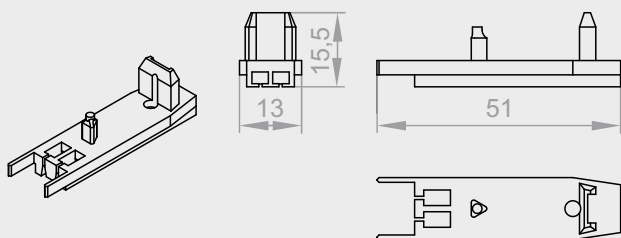
MSR-060

Frontal assembly profile.



MSD-010

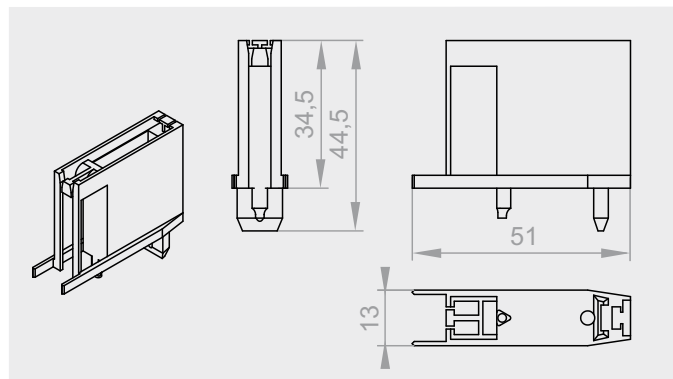
ø8 end cap.



MSD-030

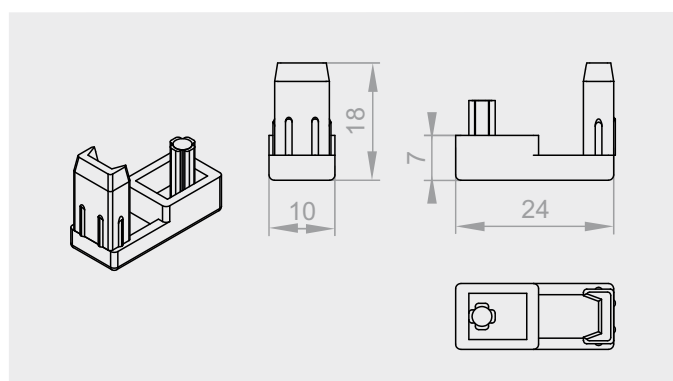
End cap of the end profile - bottom.





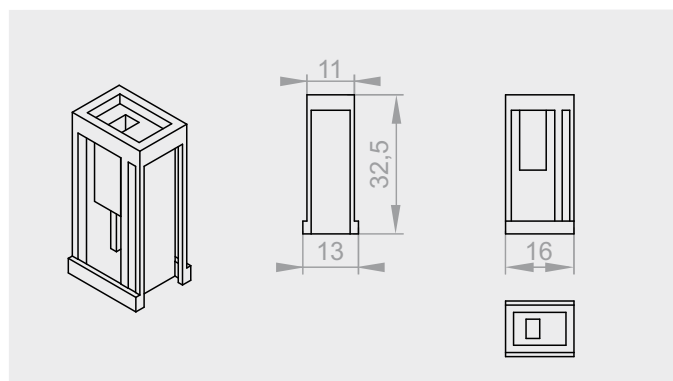
MSD-040

End cap of the end profile - top.



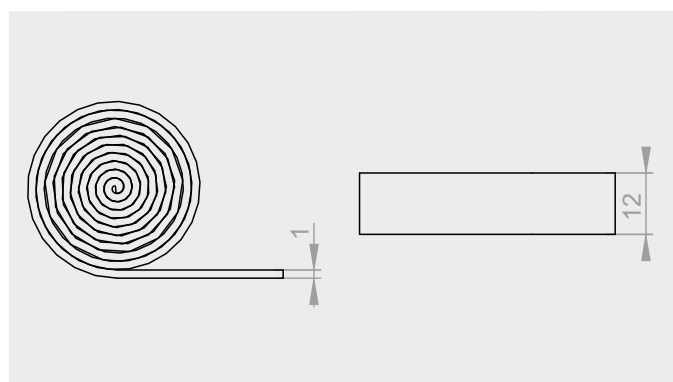
MSD-050

Side end cap of the net - bottom.



MSD-060

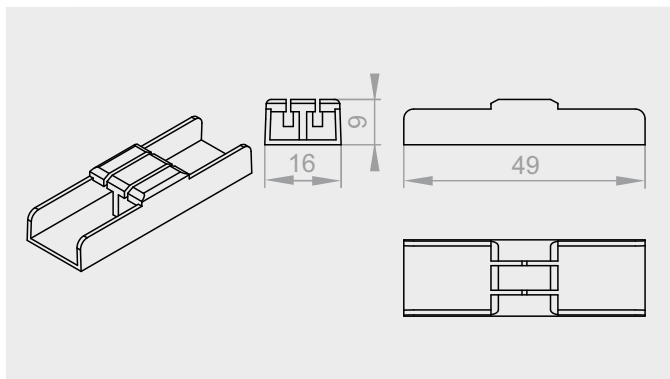
Side end cap of the net - TOP.



MSD-070

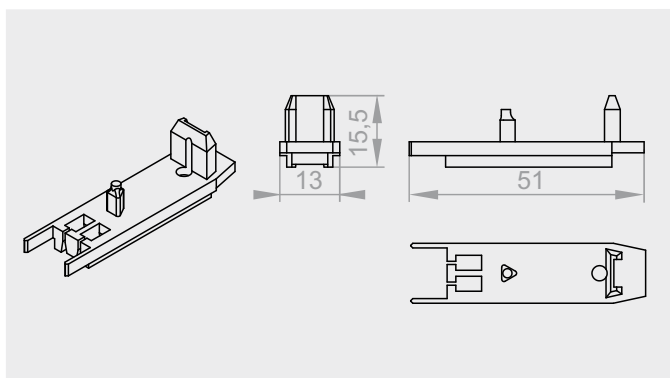
12mm bottom double-sided adhesive tape.





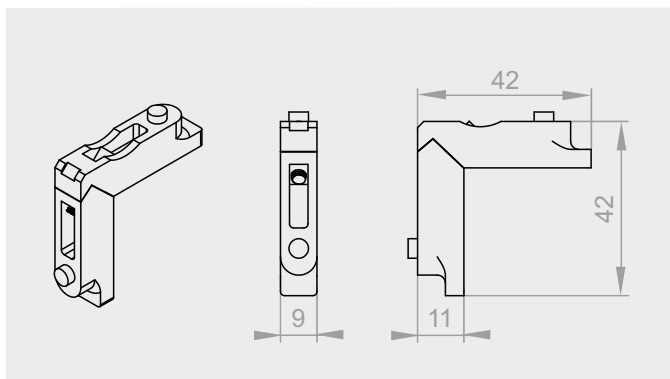
MSD-090

The double mosquito net cord stopper of the bottom rail.



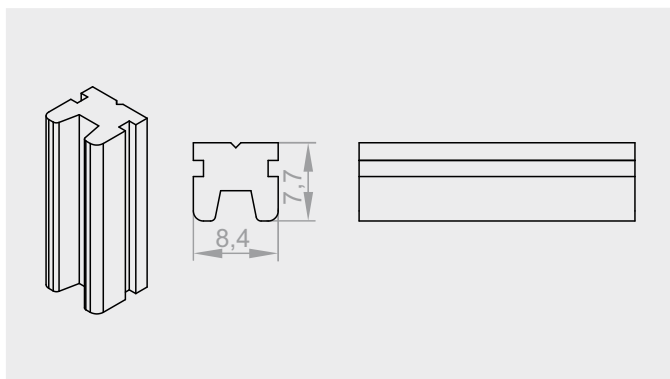
MSD-120

End cap of the end profile of the double mosquito net - bottom.



MSD-140

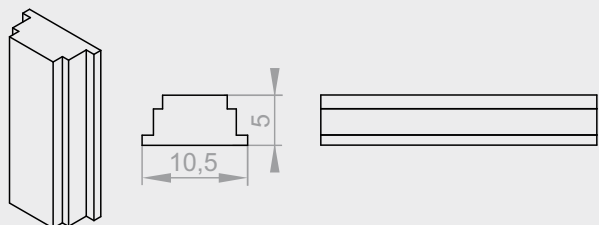
45 internal angle connector to the surface mounted mosquito net.



MSD-150

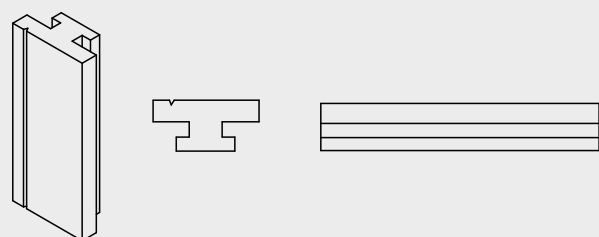
Positively-charged magnet.





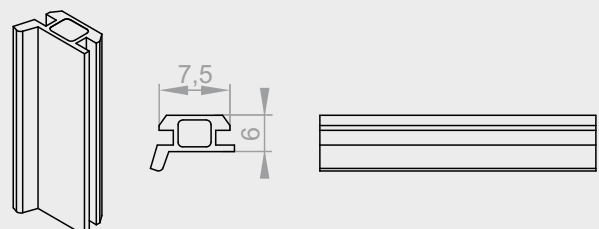
MSD-160

Negatively-charged magnet.



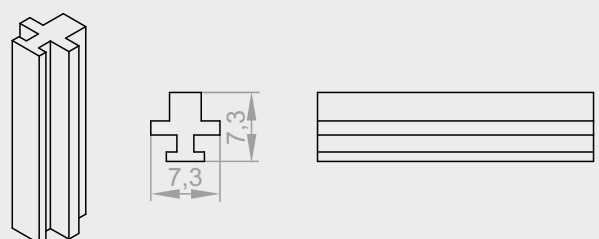
MSD-180

Bipolar magnet.



MSD-190

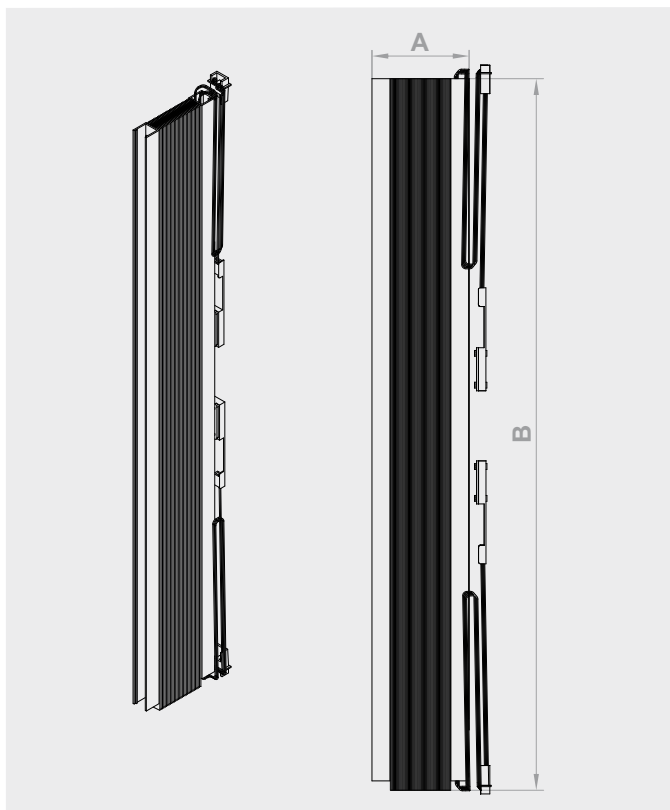
Magnetic closure.



MSD-210

Magnets for the end profile.



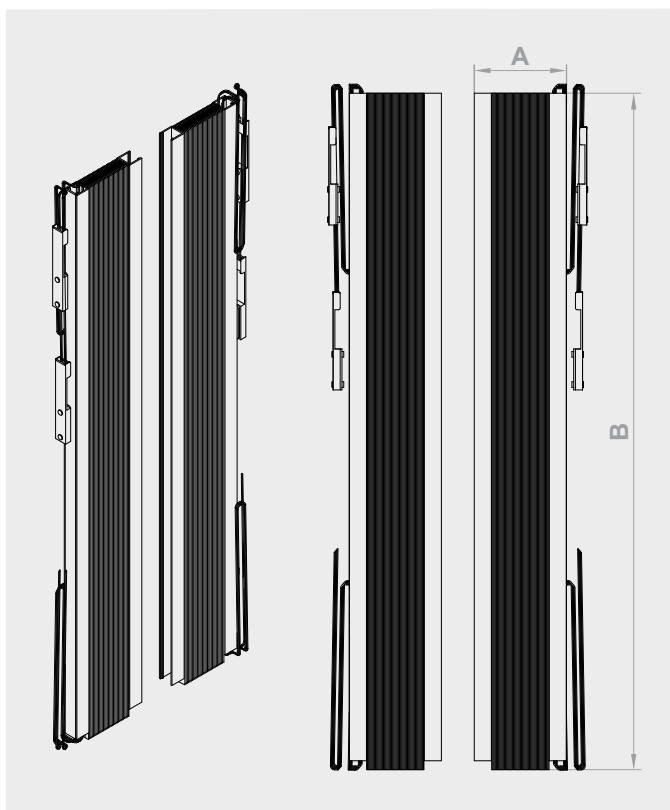


MSS-XXX

Net package of the pleated mosquito net.

Net packages of the pleated mosquito net:

	A (mm) mosquito net width	B (mm) mosquito net height	Width of the mosquito net package (mm)
MSS-010	1250	1900-2250	85
MSS-020	1250	2250-2600	85
MSS-030	1500	1900-2250	95
MSS-040	1500	2250-2600	95
MSS-050	1800	1900-2250	105
MSS-060	1800	2250-2600	105
MSS-070	2400	1900-2250	120
MSS-080	2400	2250-2600	120



MSS-XXX

Net package of the double pleated mosquito net.

Net packages of the double pleated mosquito net:

	A (mm) mosquito net width	B (mm) mosquito net height	Width of the mosquito net package (mm)
MSS-250	1250	1865-1995, 2255-2365	85
MSS-260	1250	1995-2125, 2365-2505	85
MSS-270	1250	2125-2255, 2505-2600	85
MSS-280	1500	1865-1995, 2255-2365	95
MSS-290	1500	1995-2125, 2365-2505	95
MSS-300	1500	2125-2255, 2505-2600	95
MSS-310	1800	1865-1995, 2255-2365	115
MSS-320	1800	1995-2125, 2365-2505	115
MSS-330	1800	2125-2255, 2505-2600	115

