

Top mounted shutters

**TTP1000K<sup>®</sup>**

**TECHNICAL CATALOGUE**





## TABLE OF CONTENTS:

Features and assets of TP1000K <sup>®</sup> system	2
Elements of the shutter box	3
Cross-section and the list of elements	4
Box sides and plugs	20
Enlargement	29
PCV profile	32
Thermal insulation	36
Steel elements	42
Accessories	52
Profile and lateral caps	60
Bottom laths	64
Mosquito net	65
PCV and ALU guides	69
PCV guide's plugs	72
Divisions	75
Assembly drawings - types of divisions	79
Assembly drawings - assembly of the division	87
Assembly drawings - the entry of the tape	89
Assembly drawings - revision hatches	90
Assembly drawings - assembly of the shutter box enlargement	92
Assembly drawings - installation of the raising, lowering	93
Assembly drawings - crank mechanism	94
Assembly drawings - assembly of the motor	96
Assembly drawings - assembly of the mosquito net's cassette	97
Assembly drawings - assembly of the PCV guides	99
Recommended box size for a given roller shutter height	100
The examples of the cover	102
Certificates	103



## Features and benefits of the TP 1000K<sup>®</sup> box

- The shutters are available with or without a mosquito net.
- Possibility to use profiles from PA 39, PA 45 in the shutters with a mosquito net, and additionally PA 52 mm in the shutters without a mosquito net.
- Installation on window frames of thickness from 60 to 264 mm (with box enlargement + 62 mm, also HS door)
- Simple, reliable and stable assembly method for various window profiles.
- Additional fixing with side plates. The side plates can be recessed into the side walls of the box to connect the two boxes precisely.
- Additionally, the possibility to install steel reinforcement.
- Installation of the reinforcement at the top of the shutter from the inside underneath the anchors to stiffen the whole structure. Edges of the top steel reinforcement covered.
- Possibility to select the inspection cover: at the bottom or at the front of the box.
- Possibility to make an entry of the tape at the bottom or at the front of the box.
- Possibility to use top box anchoring.
- Possibility of building up the box from the inside and from the outside. The inner and outer covers are smooth or grooved.
- Possibility of installation of concealed laths from the inside and the outside.
- Easy service access to the drive components: tape, motor, crank.
- Simple and easy way to close the mosquito net - click-clack system.
- Mosquito net placed in the cassette. Possibility of easy service disassembly of the mosquito net without the use of screws.
- The mosquito net is between the curtain and the window.
- Possibility to make two (several) shutters in one box with independent or dependent drive.
- Possibility of dividing the mosquito net into 2 parts without the need to divide the shutter curtain.
- Possibility to order PVC or aluminium guides for shutters.
- Bottom end cap inclined at an angle of 5° (is adjusted for external window sills).
- Possibility to install brush seals at the curtain entry from the inside and outside.
- Steel side handles along the entire height of the box, which improves the stability of the shutter.
- Possibility to install end caps of the box side covering the screws from the inside of the room.
- When connecting two boxes, the end caps cover the connection from the inside and from the bottom.
- Easy replacement of entry guides - without screws.
- When using mosquito net division without the curtain division, the shutter curtain does not rub against the guide dividing the mosquito net.
- The concealed lath has an additional bend to facilitate its correct installation in the grooved cover.
- Easy to open the bottom inspection cover with the shutter built up from the inside.
- Easy to change the opening of the inspection cover: at the front or at the bottom without the need to buy additional elements.
- In the outer cover there is a reinforcement for the concealed lath.
- Stable connection of the box components on the locks.
- The inclined lower component of the box allowing the water to drain out of the curtain.
- Possibility of ordering guide end caps to cover the unused mosquito net sockets (the element needed for the mosquito net with division but with the whole curtain).

*All photos and drawings contained in the catalogue are for reference only.  
The PORTOS company reserves the right to make changes.  
TP1000K is a trademark of the PORTOS company. All rights reserved.*



**LEGEND:**

BOX  
180,220,250

BOX  
220



1rm  
0,2kg

1pcs  
0,3kg

Max.  
6rm

ABS

PVC

Pb



The size of the box for which the component is designed.

Component to the box with mosquito net.

The indicative weight of the component (in kilogrammes).

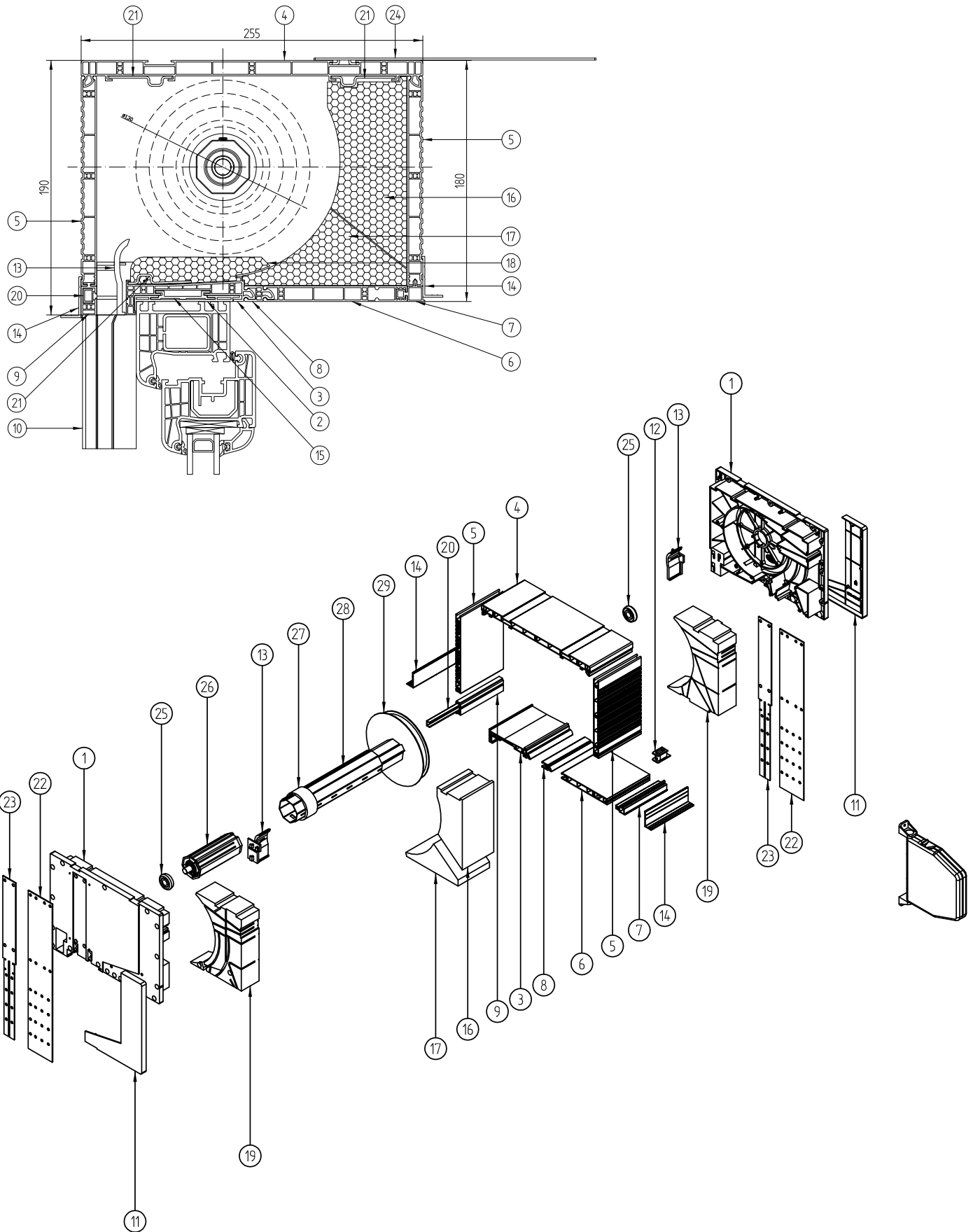
The maximum length of a long component (given in metres)

The material used to make a component (e.g. PVC, ABS, etc.)

It contains no harmful heavy metals such as lead.

The component with a veneering option.

# Components of the TP1000K<sup>®</sup> system Box 180 - cross section and parts list

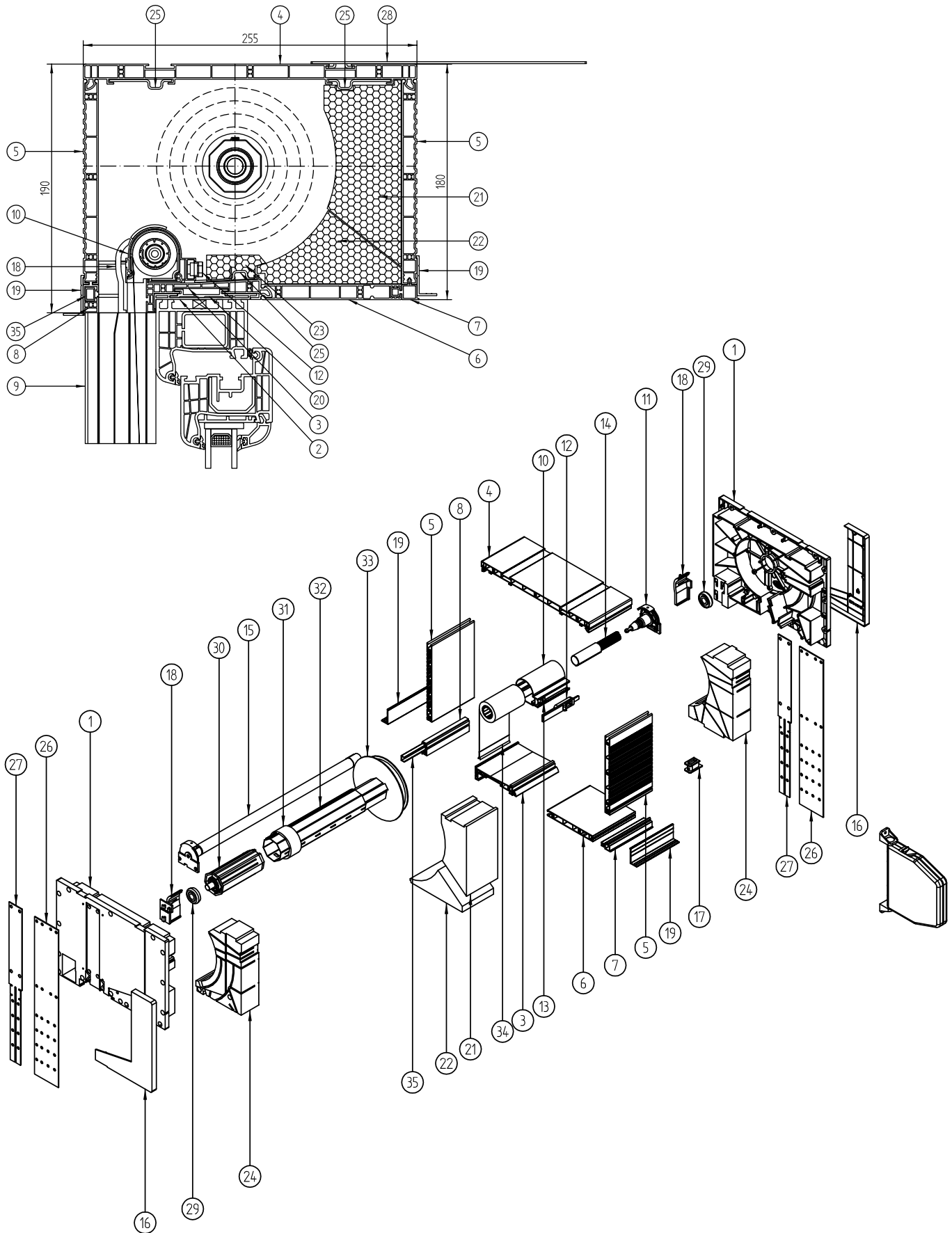


## TP1000K® box 180- the cross-section and list of elements

1	NPB-010	End cap for shutter box 180
2	NPS-010	Box adapting profile
3	NPS-020	Bottom shutter box profile with seal
4	NPS-030	Top shutter box profile
5	NPS-040	Side profile for box 180
6	NPS-070	Bottom inspection hatch
7	NPS-080	Connecting profile for box
8	NPS-090	Complement bottom profile for box
9	NPS-100	Bottom side profile with seal
10	NPR-020	Single PCV-guide
11	NPD-010	Side blind of end cap
12	NPD-040	Cord guide
13	NPD-050	Entry guide for profile 37-45 left/right
14	NPL-010	Lath for plaster finishes
15	NPL-020	Aluminum inset for NPS-010 and RN-1 70
16	NPW-015	Side thermal insulation for box 220 graphite
17	NPW-045	Bottom thermal insulation for box 220 graphite
18	NPW-065	Additional thermal insulation
19	NPW-140	Thermal insulation for side cup
20	RA-2-00 7 MM	Thermal insulation for left/right end cap
21	NPT-020	Reinforcement of the shutter box
22	NPT-140	Steel side conector 56mm
23	NPT-120	Steel side conector 30mm
24	NPT-050	Steel munting anchor
25	LO 28/10	Bearing for pvc shutter boxes
26	OBS-40-PCV	Mounting cap fi-40 for pvc shutter box
27	PZ 40/50	40/50 expansion ring
28	SW 40	Octagonal pipe 40 0,6 mm
29	RKZ 71	Wheel of the roller tube

# Components of the TP100K<sup>®</sup> system

## Box 180 with mosquito net - cross section and parts list



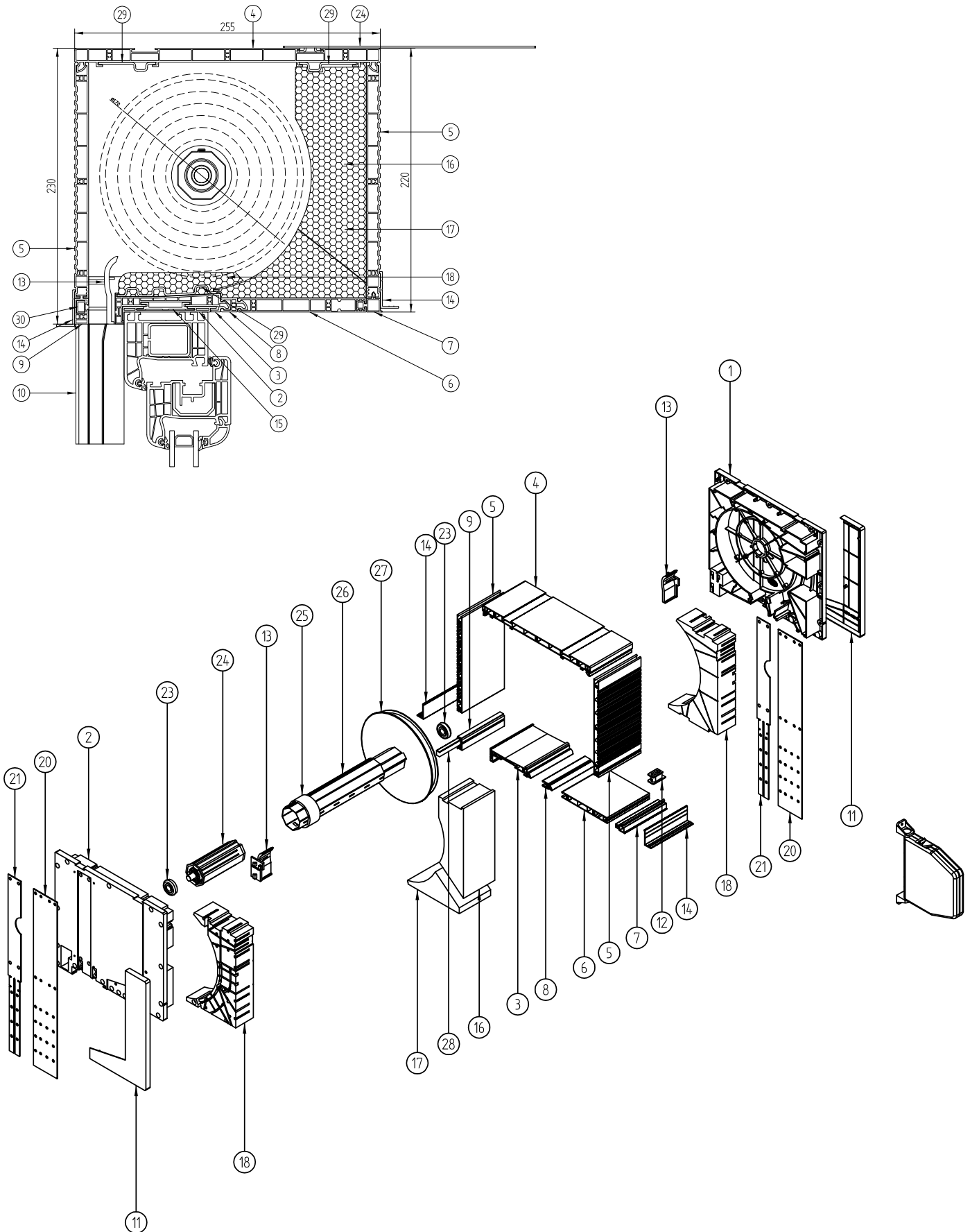


## TP1000K® shutter box 180 with mosquito net - cross-section and list of components

1	NPB-110	End cap of the shutter box 180 with mosquito net
2	NPS-010	Box adapting profile
3	NPS-020	Bottom shutter box profile with seal
4	NPS-030	Top shutter box profile
5	NPS-040	Side profile of the shutter box 180
6	NPS-070	Bottom inspection hatch
7	NPS-080	Connecting profile for box
8	NPS-100	Bottom side profile with seal
9	NPR-010	Double guide for mosquito net
10	M-RN-090	Small cassette for mosquito net
11	M-RN-080	The side of the cassette with mounting cap for spring pipe for small cassette
12	M-RN-050	Cassette's latch
13	M-RN-060	Spring for cassette's latch
14	ABS-CZ	Slowing system for mosquito-net
15	MZN-091	Spring 350 of the mosquito net for top mounted shutters ( small cassette)
16	NPD-010	End cap of the shutter box 180
17	NPD-040	Cord guide
18	NPD-050	Entry guide for profile 37-45 left/right
19	NPL-010	Lath for plaster finishes
20	NPL-020	Aluminum inset for NPS-010 and RN-1 70
21	NPW-015	Additional thermal insulation for shutter box 180
22	NPW-055	Bottom thermal insulation for box with mosquito net
23	NPW-075	Additional thermal insulation for box with mosquito net
24	NPW-150	Thermal insulation for side cup
25	NPT-020	Reinforcement steel top - internal or external
26	NPT-140	Steel side connector 56mm
27	NPT-120	Steel side connector 30mm
28	NPT-050	Steel mounting anchor
29	LO 28/10	Bearing for PCV shutter boxes
30	OBS-40-PCV	Mounting cap fi-40 for PCV shutter box
31	PZ 40/50	40/50 expansion ring
32	SW 40	Octagonal pipe 40 0,6 mm
33	RKZ 70	Wheel of the roller tube
34	MOS-XX	Mosquito net
35	RA-2-00 7 MM	Small reinforcement of cover - raw 7mm

# Components of the TP1000K<sup>®</sup> system

## Box 220 - cross-section and parts list

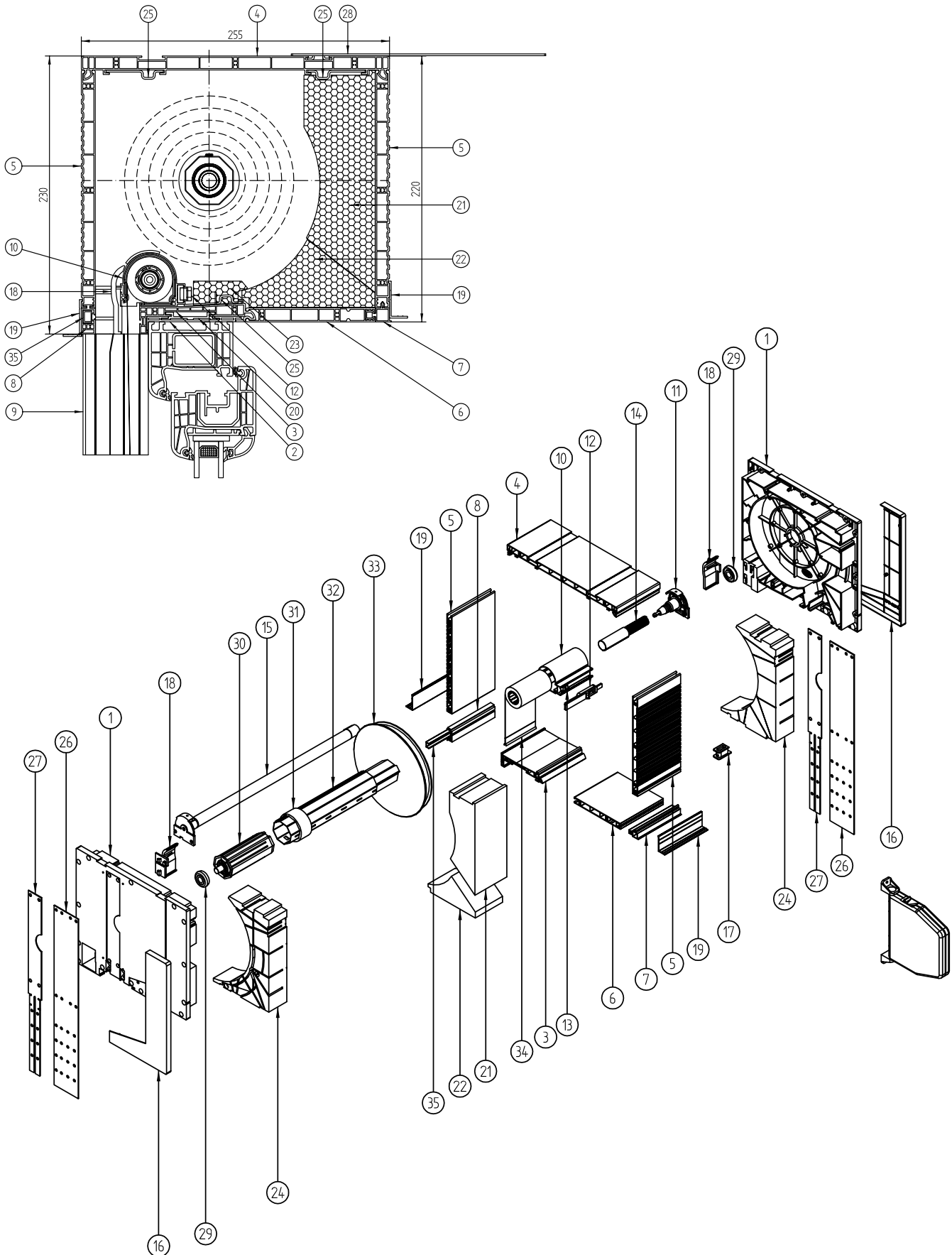


## TP1000K<sup>®</sup> shutter box 220 - cross-section and list of components

1	NPB-020	End cap for shutter box 220
2	NPS-010	Box adapting profile
3	NPS-020	Bottom shutter box profile with seal
4	NPS-030	Top shutter box profile
5	NPS-051	Side profile for box 220
6	NPS-070	Bottom inspection hatch
7	NPS-080	Connecting profile for box
8	NPS-090	Complement bottom profile
9	NPS-100	Bottom side profile
10	NPR-020	Double guide
11	NPD-020	Side blind of end cap
12	NPD-040	Cord guide
13	NPD-050	Entry guide for profile 37-45 left/right
14	NPL-010	Lath for plaster finishes
15	NPL-020	Aluminum inset for NPS-010 and RN-1 70
16	NPW-025	Side thermal insulation for box 220 graphite
17	NPW-045	Bottom thermal insulation for box 220 graphite
18	NPW-090	Thermal insulation for side cup
19	NPT-020	Reinforcement steel top - internal or external
20	NPT-040	Steel side conector 56mm
21	NPT-030	Steel side conector 30mm
22	NPT-050	Steel mounting anchor
23	LO 28/10	Bearing for PVC shutter boxes
24	OBS-40-PCV	Mounting cap fi-40 for PVC shutter box
25	PZ 40/50	40/50 expansion ring
26	SW 40	Octagonal pipe 40 0,6 mm
27	RKZ 72	Wheel of the roller tube for box 200/220/250
28	RA-2-00 7 MM	Small reinforcement of cover - raw 7mm
29	NPT-010	Steel reinforcement of the shutter box

# Components of the TP1000K<sup>®</sup> system

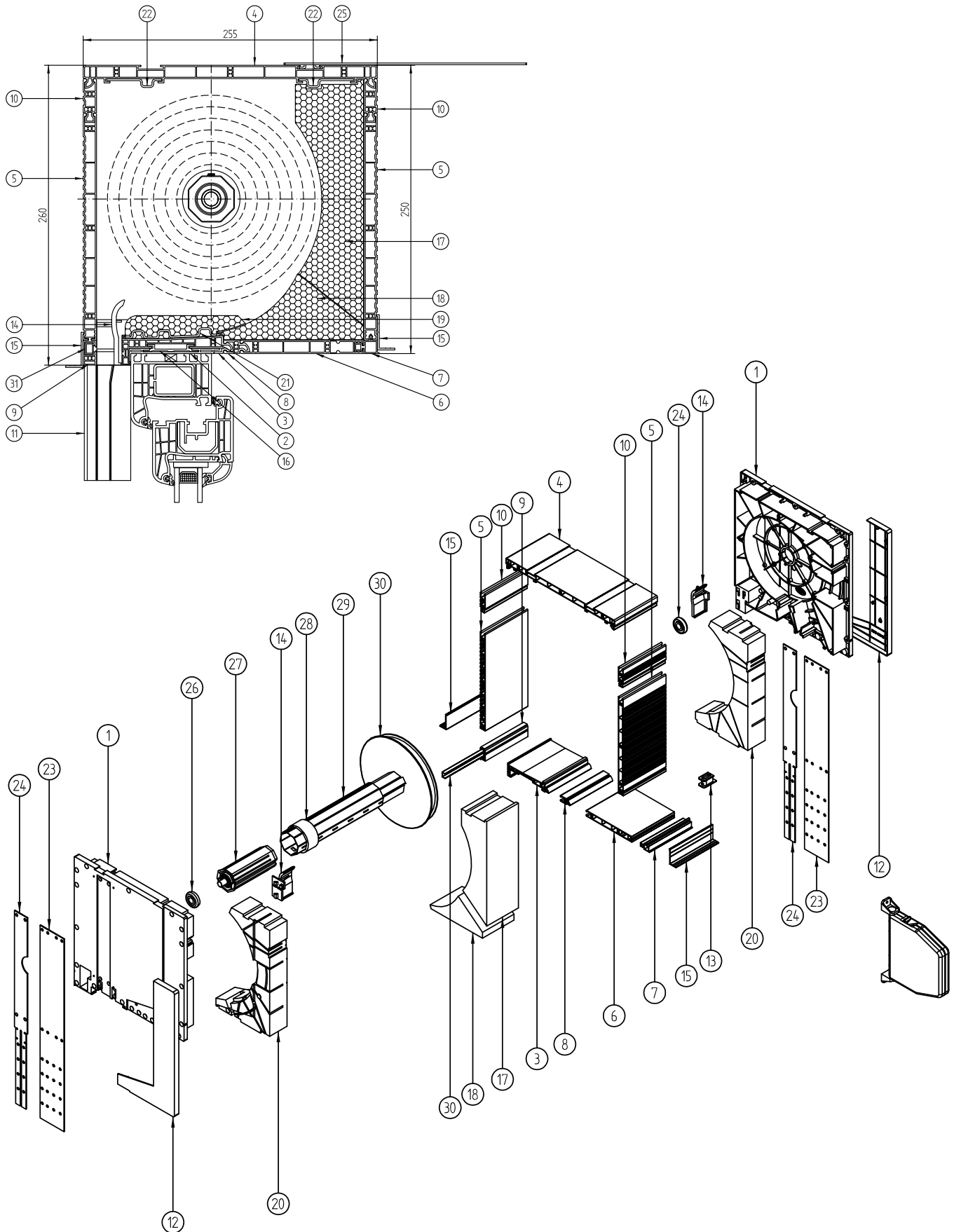
## Box 220 with mosquito net - cross section and parts list



## TP1000K® shutter box 220 with mosquito net - cross-section and list of components

1	NPB-120	End cap of the shutter box 220 with mosquito net
2	NPS-010	Box adapting profile
3	NPS-020	Bottom shutter box profile with seal
4	NPS-030	Top shutter box profile
5	NPS-051	Side profile for box 220
6	NPS-070	Bottom inspection hatch
7	NPS-080	Connecting profile for box
8	NPS-100	Bottom side profile
9	NPR-010	Double guide for mosquito-net
10	M-RN-011	Cassette for mosquito net
11	M-RN-021	The side of the cassette with mounting cap for spring pipe
12	M-RN-050	Cassette's latch
13	M-RN-060	Spring for cassette's latch
14	ABS-CZ	Slowing system for mosquito-net
15	MZN-051	Spring of mosquito net 350mm for top mounted roller shutter
16	NPD-020	Side blind of end cap
17	NPD-040	Cord guide
18	NPD-050	Entry guide for profile 37-45 left/right
19	NPL-010	Lath for plaster finishes
20	NPL-020	Aluminum inset for NPS-010 and RN-1 70
21	NPW-025	Side thermal insulation for box 220 graphite
22	NPW-055	Side thermal insulation for mosquito-net box 220 graphite
23	NPW-075	Additional thermal insulation for mosquito-net box 220 graphite
24	NPW-100	Thermal insulation for side cup
25	NPT-020	Bottom steel reinforcement for mosquito-net box 220
26	NPT-040	Steel side conector 56mm
27	NPT-030	Steel side conector 30mm
28	NPT-050	Steel mounting anchor
29	LO 28/10	Bearing for PVC shutter boxes
30	OBS-40-PCV	Mounting cap fi-40 for PVC shutter box
31	PZ 40/50	40/50 expansion ring
32	SW 40	Octagonal pipe 40 0,6 mm
33	RKZ 72	Wheel of the roller tube for box 200/220/250
34	MOS-XX	Mosquito net
35	RA-2-00 7 MM	Small reinforcement of cover - raw 7mm

# Components of the TP1000K<sup>®</sup> system Box 250 - cross-section and parts list

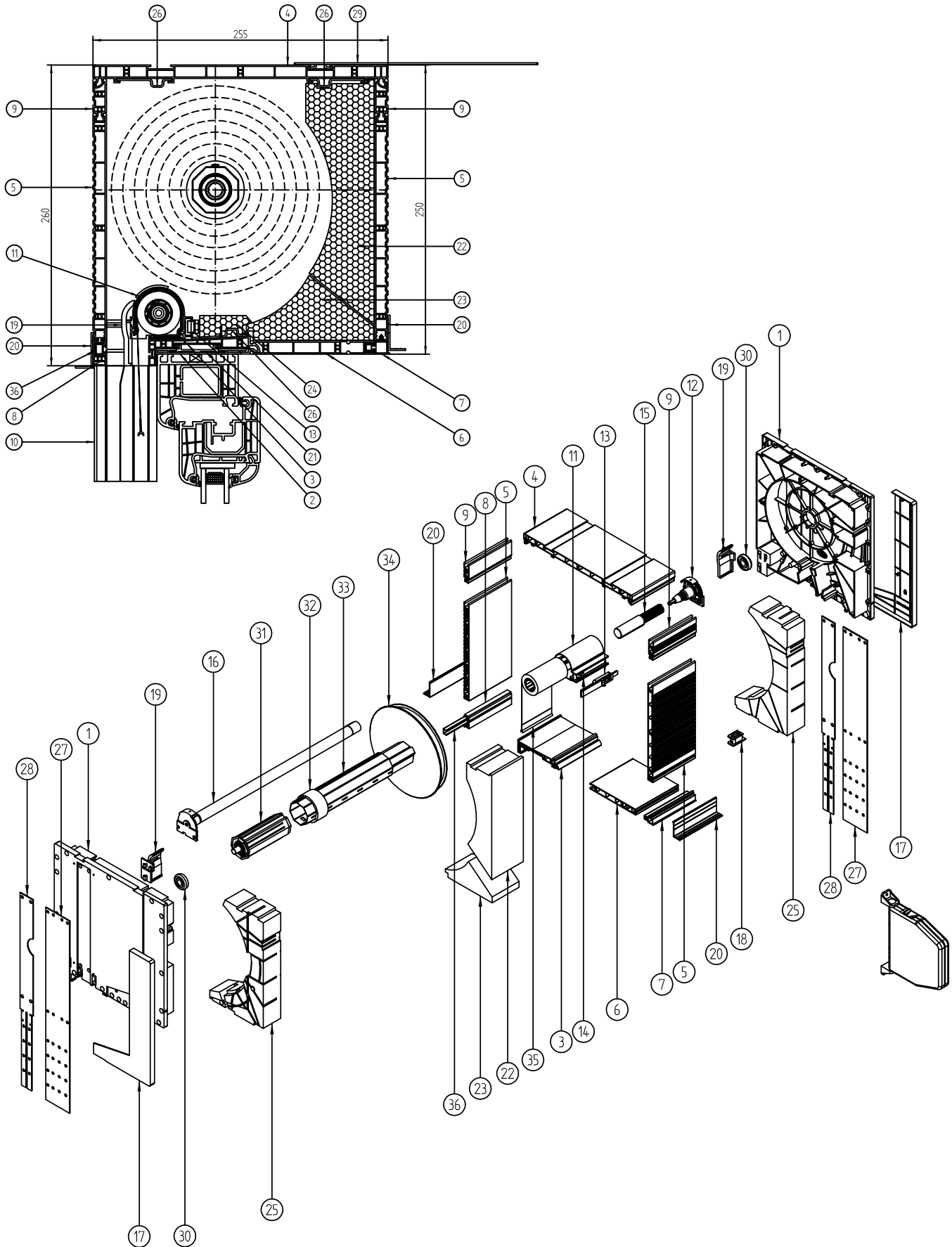


## TP1000K<sup>®</sup> shutter box 250 - cross-section and list of components

1	NPB-030	End cap of the shutter box 250 with mosquito net
2	NPS-010	Box adapting profile
3	NPS-020	Bottom shutter box profile with seal
4	NPS-030	Top shutter box profile
5	NPS-051	Side profile for box 250
6	NPS-070	Bottom inspection hatch
7	NPS-080	Connecting profile for box
8	NPS-090	Complementary bottom shutter box profile
9	NPS-100	Bottom side profile
10	NPS-130	Complementary profile for vertical hatch
11	NPR-020	Double guide
12	NPD-030	Side blind of end cap
13	NPD-040	Cord guide
14	NPD-050	Entry guide for profile 37-45 left/right
15	NPL-010	Lath for plaster finishes
16	NPL-020	Aluminum inset for NPS-010 and RN-1 70
17	NPW-035	Side thermal insulation for box 220 graphite
18	NPW-045	Side thermal insulation for box 220 graphite
19	NPW-065	Additional thermal insulation
20	NPW-160	Thermal insulation for side cup
21	NPT-010	Bottom steel reinforcement
22	NPT-020	Reinforcement steel top - internal or external
23	NPT-150	Steel side conector 56mm
24	NPT-130	Steel side conector 30mm
25	NPT-050	Steel munting anchor
26	LO 28/10	Bearing for PVC shutter boxes
27	OBS-40-PCV	Mounting cap fi-40 for PVC shutter box
28	PZ 40/50	40/50 expansion ring
29	SW 40	Octagonal pipe 40 0,6 mm
30	RKZ 72	Wheel of the roller tube for box 200/220/250
31	RA-2-00 7 MM	Small reinforcement of cover - raw 7mm

# Components of the TP1000K<sup>®</sup> system

## Box 250 with mosquito net - cross section and parts list



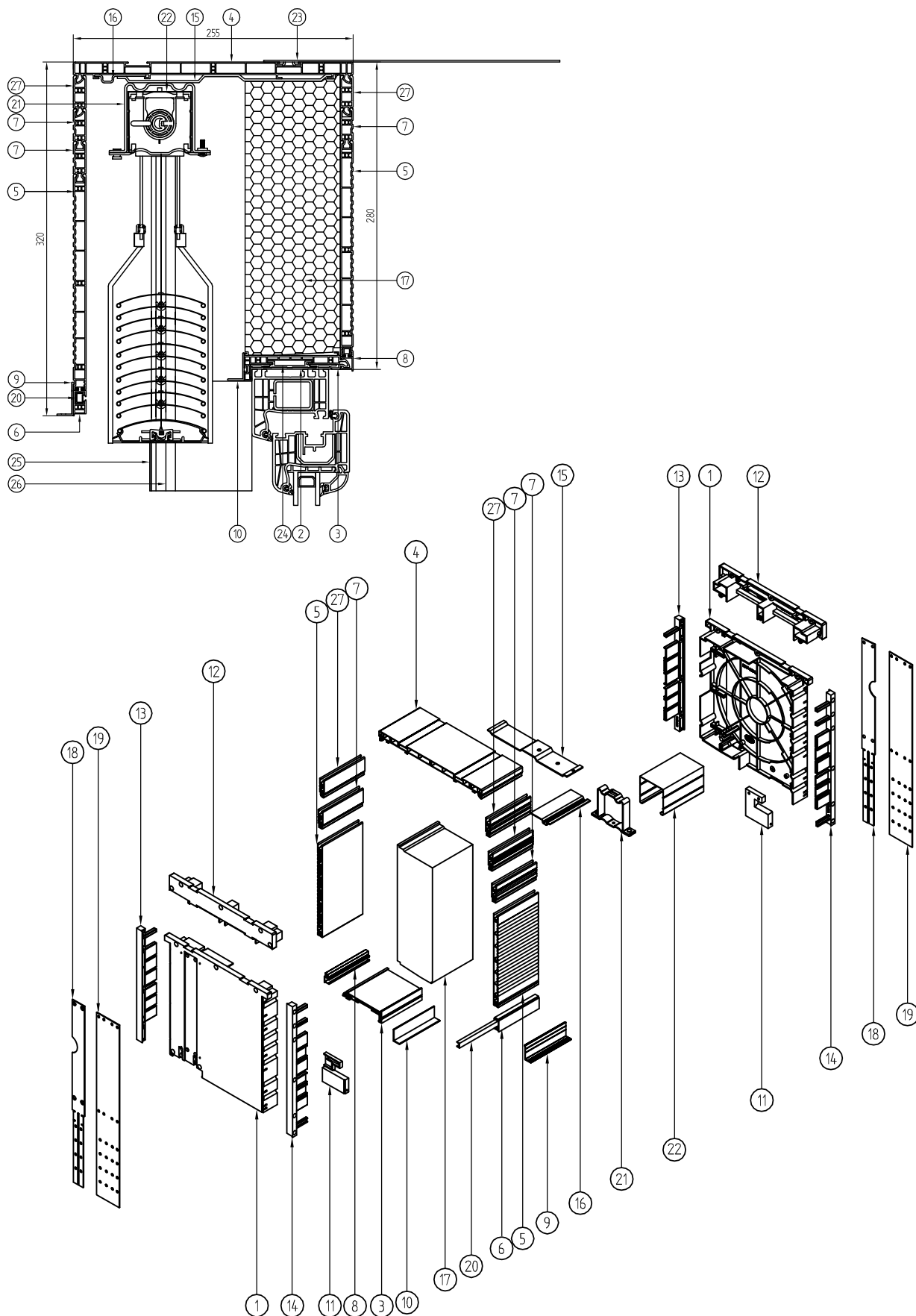


## TP1000K® shutter box 250 with mosquito net - cross-section and list of components

1	NPB-130	End cap of the shutter box 250 with mosquito net
2	NPS-010	Box adapting profile
3	NPS-020	Bottom shutter box profile with seal
4	NPS-030	Top shutter box profile
5	NPS-051	Side profile for box 250
6	NPS-070	Bottom inspection hatch
7	NPS-080	Connecting profile for box
8	NPS-100	Bottom side profile
9	NPS-130	Complementary profile for vertical hatch
10	NPR-010	Double guide for mosquito-net
11	M-RN-011	Cassette for mosquito net
12	M-RN-021	The side of the cassette with mounting cap for spring pipe
13	M-RN-050	Cassette's latch
14	M-RN-060	Spring for cassette's latch
15	ABS-CZ	Slowing system for mosquito-net
16	MZN-051	The spring of the mosquito net 350 mm for top mounted roller shutter
17	NPD-030	Side blind of end cap
18	NPD-040	Cord guide
19	NPD-050	Entry guide for profile 37-45 left/right
20	NPL-010	Lath for plaster finishes
21	NPL-020	Aluminum inset for NPS-010 and RN-1 70
22	NPW-035	Thermal insulation for box 250
23	NPW-055	Bottom thermal insulation for box with mosquito net
24	NPW-075	Additional thermal insulation for box with mosquito net
25	NPW-170	Thermal insulation of the side cap for box with mosquito net
26	NPT-020	Reinforcement steel top - internal or external
27	NPT-150	Steel side conector 56mm
28	NPT-130	Steel side conector 30mm
29	NPT-050	Steel munting anchor
30	LO 28/10	Bearing for pvc shutter boxes
31	OBS-40-PCV	Mounting cap fi-40 for pvc shutter box
32	PZ 40/50	40/50 expansion ring
33	SW 40	Octagonal pipe 40 0,6 mm
34	RKZ 72	Wheel of the roller tube
35	MOS-XX	Mosquito net
36	RA-2-00 7 MM	Small reinforcement of cover - raw 7mm

# Components of the TP1000K<sup>®</sup>-ZF system

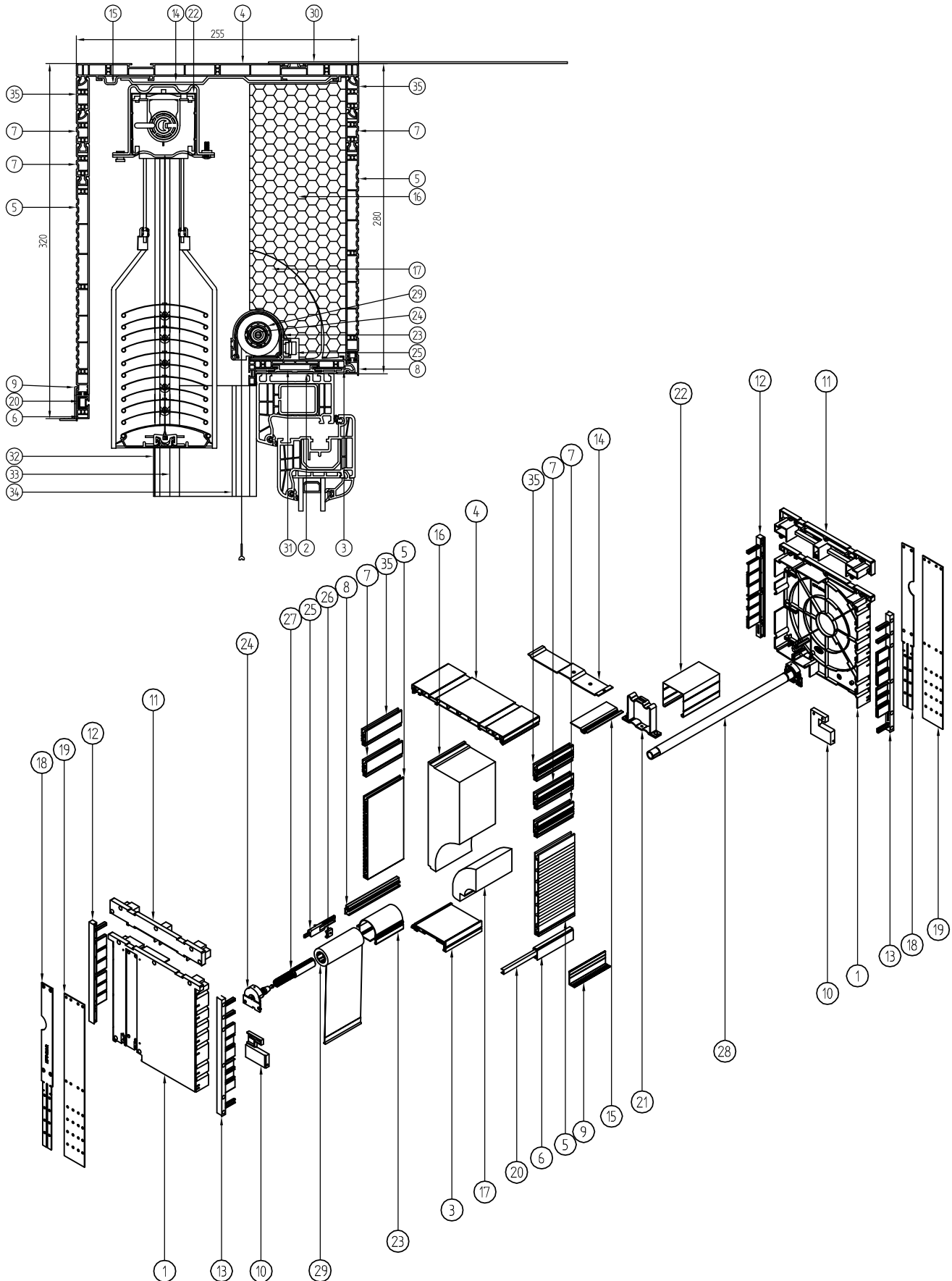
## Box with external blind - cross-section and parts list



## TP1000K®-ZF box with external blind - cross section and parts list

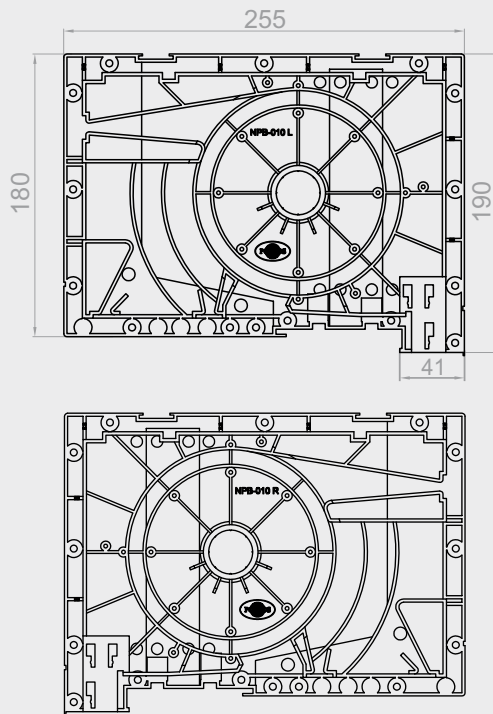
1	F-NPF-030	Side of the box 250 for external blind
2	NPS-010	Universal adaptation profile
3	NPS-020	Box profile bottom
4	NPS-030	Box profile top
5	NPS-051	Profile of the box 220 side
6	NPS-100	Side profile bottom
7	NPS-130	Additional profile of the vertical cover
8	F-NPS-140	Box profile box connector for external blind
9	NPL-010	Concealed lath
10	LT	Concealed lath
11	F-NPD-280	Side lowering insert
12	F-NPB-070	Raising of the box side
13	F-NPD-270	End cap for the side inner profile of the external blind box
14	F-NPD-260	End cap for the side outer profile of the external blind box
15	F-NPT-280	Main holder for external blind
16	NPT-020	Box reinforcement
17	F-NPW-275	Styrofoam insert
18	NPT-130	Steel side handle 30 mm for box 250
19	NPT-150	Steel side handle 56 mm for box 250
20	RA-2-00 7 MM	Small reinforcement of cover - raw 7mm
21	F-USG	Top rail handle
22	F-RN	Head rail
23	NPT-050	Steel mounting anchor
24	NPL-020	Aluminium insert
25	F-FBR-010	Guide adapter for external blind
26	F-PP-20	Single guide for external blind
27	NPS-120	Broadening bottom profile of the box

Components of the TP1000K<sup>®</sup>-ZF system  
 Box with external blind with mosquito net - cross-section and parts list



## TP1000K®-ZF box with external blind with mosquito net - cross-section and parts list

1	F-NPF-030	Side of the box 250 for external blind
2	NPS-010	Universal adaptation profile
3	NPS-020	Box profile bottom
4	NPS-030	Box profile top
5	NPS-051	Profile of the box 220 side
6	NPS-100	Side profile bottom
7	NPS-130	Additional profile of the vertical cover
8	F-NPS-140	Box profile box connector for external blind
9	NPL-010	Concealed lath
10	F-NPD-280	Side lowering insert
11	NPB-070	Raising of the box side
12	F-NPD-270	End cap for the side inner profile of the external blind box
13	F-NPD-260	End cap for the side outer profile of the external blind box
14	F-NPT-280	Main holder for external blind
15	NPT-020	Box reinforcement
16	F-NPW-295	Styrofoam insert
17	F-NPW-305	Additional styrofoam insert
18	NPT-130	Steel side handle 30 mm for box 250
19	NPT-150	Steel side handle 56 mm for box 250
20	RA-2-00 7 MM	Small reinforcement of cover - raw 7mm
21	F-USG	Top rail handle
22	F-RN	Head rail
23	M-RN-011	Mosquito net cassette
24	M-RN-021	Cassette side with spring pipe mounting
25	M-RN-050	Latch of the cassette
26	M-RN-060	Latch blockade
27	ABS-CZ	Slowing system for mosquito net
28	MZN-051	Spring of the mosquito net 350 mm for external blind
29	MOS-XX	Mosquito net with the 23.5mm pipe
30	NPT-050	Steel mounting anchor
31	NPL-020	Aluminium insert
32	F-FBR-010	Guide adapter for external blind
33	F-PP-20	Single guide for external blind
34	F-FBR-050	Guide for mosquito net
35	NPS-120	Broadening bottom profile of the box

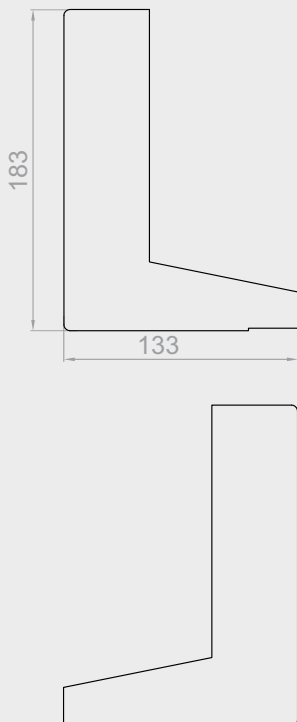


**NPB-010 L**

Left end cap for shutter box 180

**NPB-010 P**

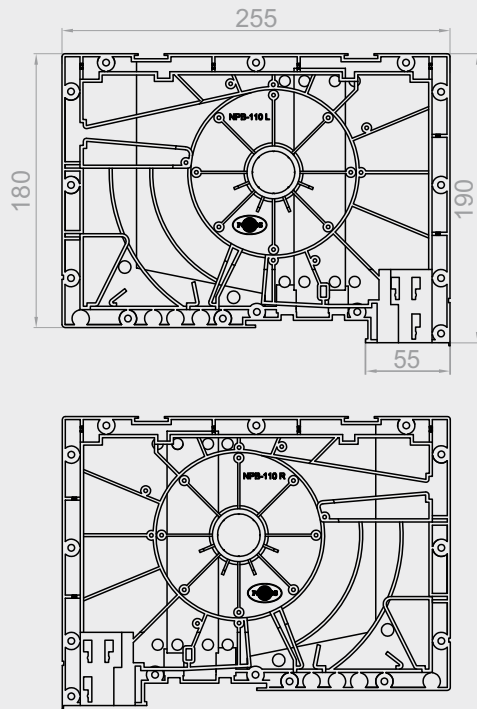
Right end cap for shutter box 180



**NPD-010 L/P**

Side blind of left and right end cap for box 180



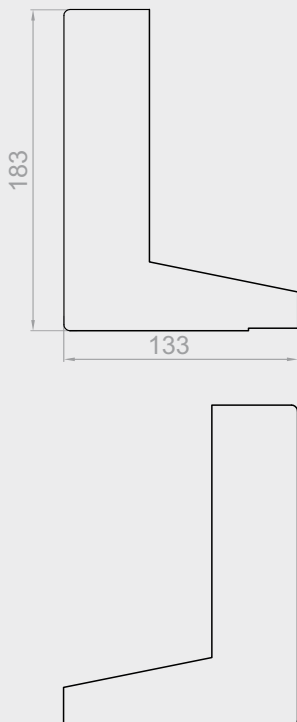
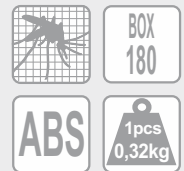


### NPB-110 L

Left end cap for shutter box 180 with mosquito net

### NPB-110 P

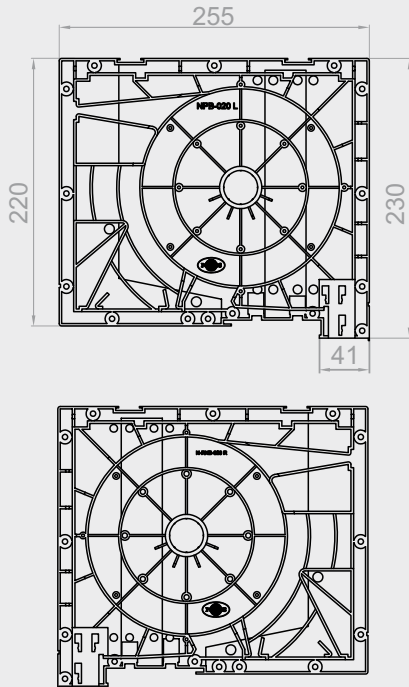
Right end cap for shutter box 180 with mosquito net



### NPD-010 L/P

Side blind of left and right end cap for box 180 with mosquito net



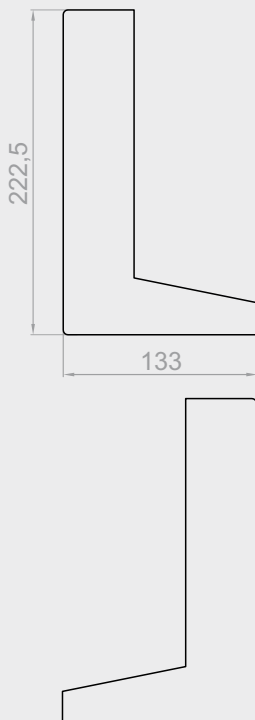
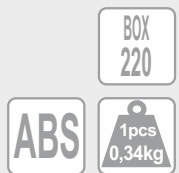


**NPB-020 L**

Left end cap for shutter box 220

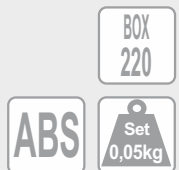
**NPB-020 P**

Right end cap for shutter box 220



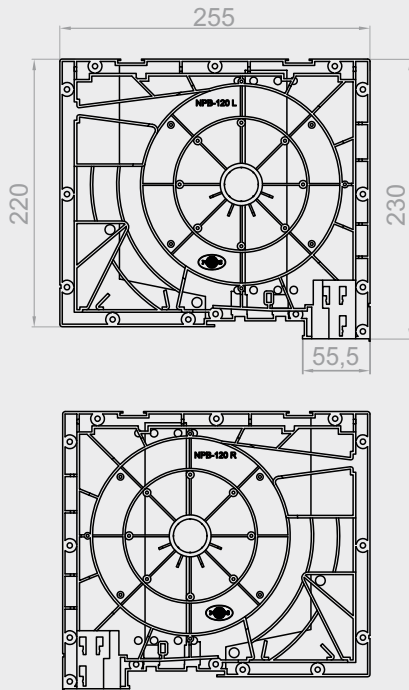
**NPD-020 L/P**

Side blind of left and right end cap for box 220



*Available only in boxes without enlargement*



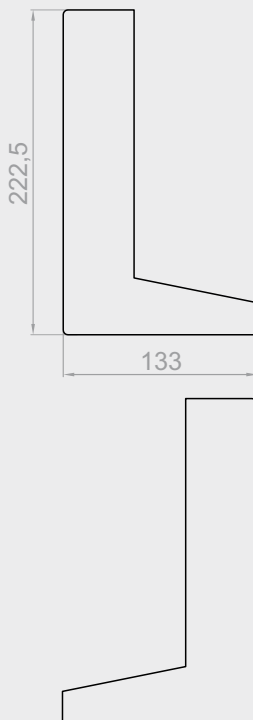
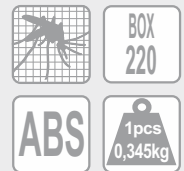


### **NPB-120 L**

Left end cap for shutter box 220 with mosquito net

### **NPB-120 P**

Right end cap for shutter box 220 with mosquito net

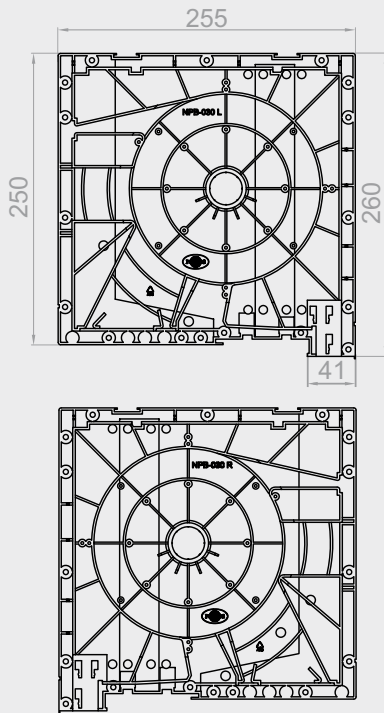


### **NPD-020 L/P**

Side blind of left and right end cap for box 220 with mosquito net



*Available only in boxes without enlargement*

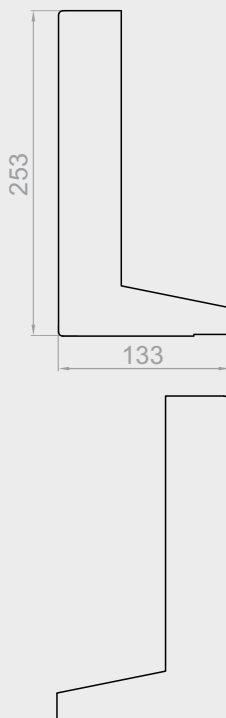
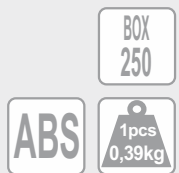


**NPB-030 L**

Left end cap for shutter box 250

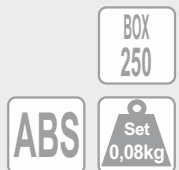
**NPB-030 P**

Right end cap for shutter box 250

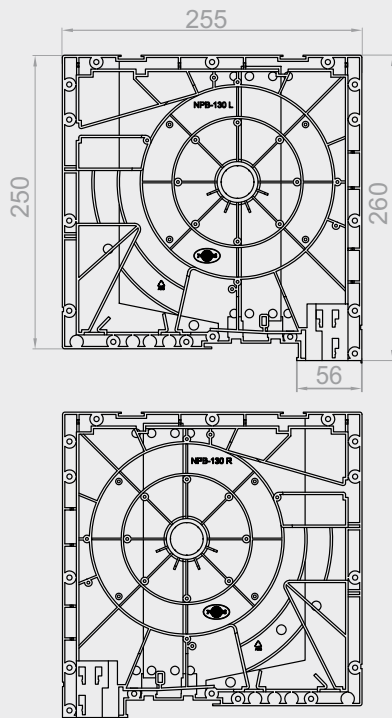


**NPD-030 L/P**

Side blind of left and right end cap for box 250



*Available only in boxes without enlargement*

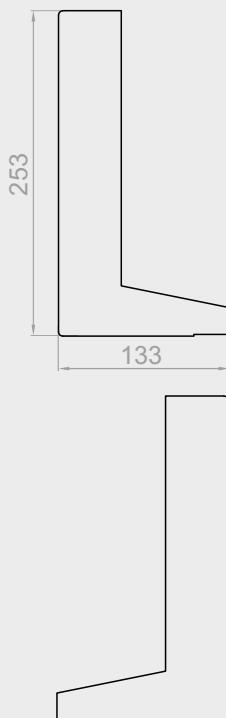
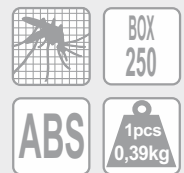


### NPB-130 L

Left end cap for shutter box 250 with mosquito net

### NPB-130 P

Right end cap for shutter box 250 with mosquito net

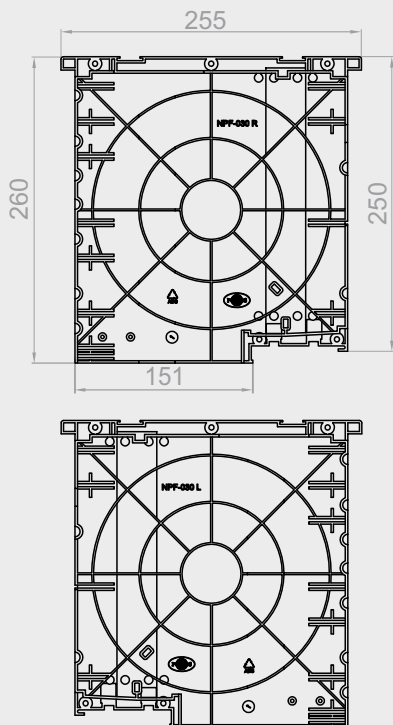


### NPD-030 L/P

Side blind of left and right end cap for box 250 with mosquito net



*Available only in boxes without enlargement*

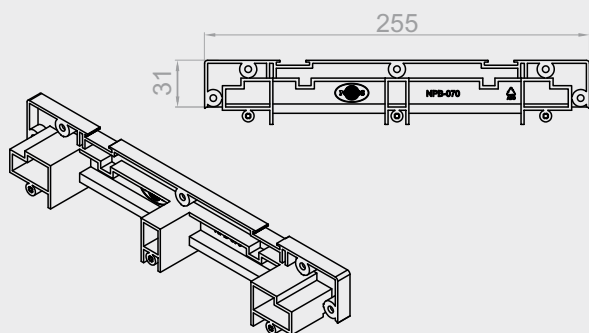
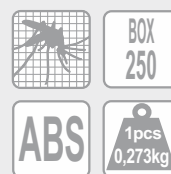


**F-NPF-030 L**

Side of the box 250 for external blind left.

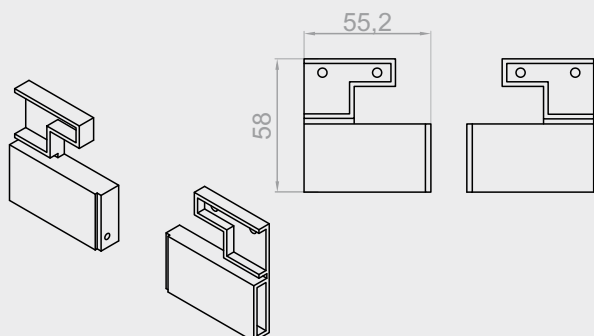
**F-NPF-030 P**

Side of the box 250 for external blind right.



**NPB-070**

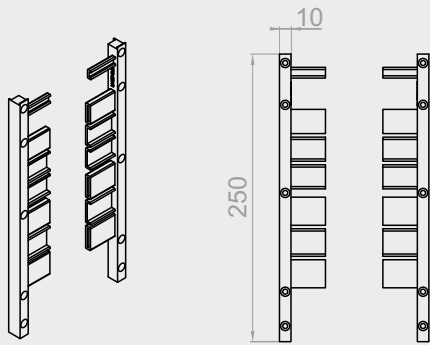
Raising of the box side for external blind.



**F-NPD-280 L/P**

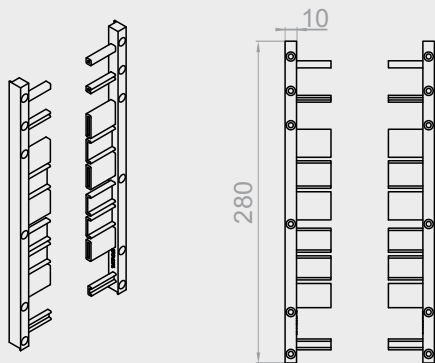
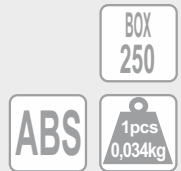
Side lowering insert for external blind.





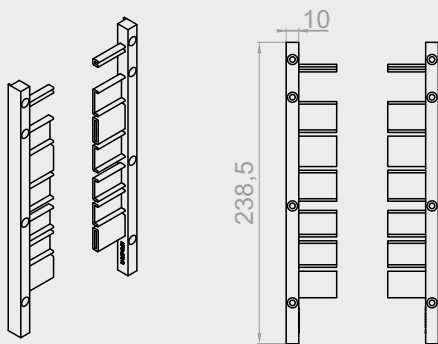
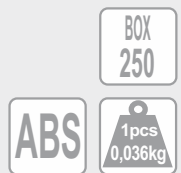
### F-NPD 250

End cap for the side outer profile of the external blind box 250mm.



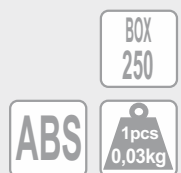
### F-NPD 260

End cap for the side outer profile of the external blind box 280mm.



### F-NPD 270

End cap for the side inner profile of the external blind box.



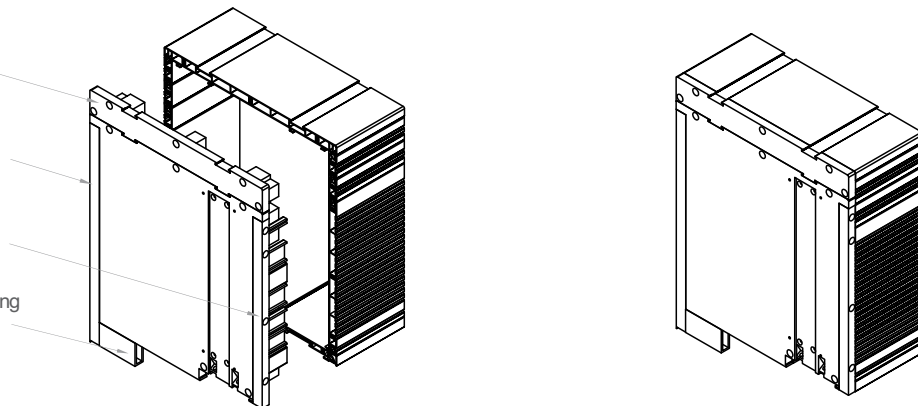
View of the 250 box side for the external blind with raising, lowering and end caps of the box side profiles.

NPB-070 - Side raising for external blind.

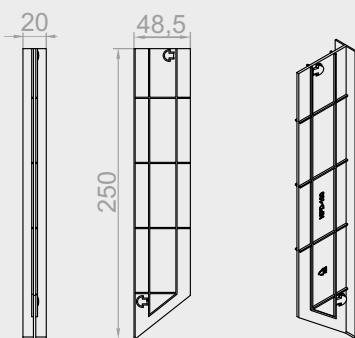
F-NPD-260 - End cap for the side outer profile of the external blind box 280mm.

F-NPD-270 - End cap for the side inner profile of the external blind box.

F-NPD-280 - Side lowering insert for external blind.

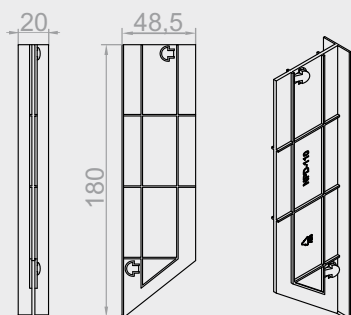
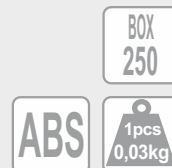


## Components of the TP1000K® system Box 180, 220, 250 - division end caps



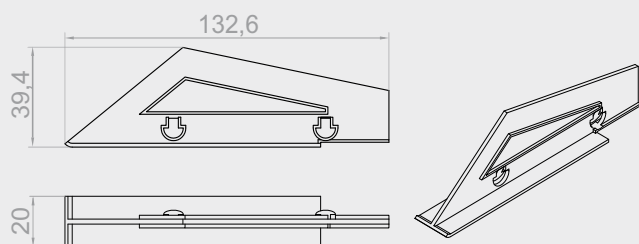
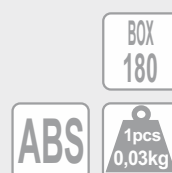
### **NPD-100**

Double side blind for box 250 part 1



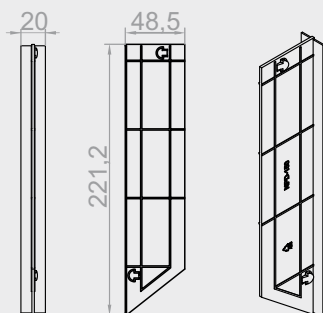
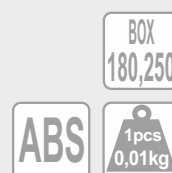
### **NPD-110**

Double side blind for box 180 part 1



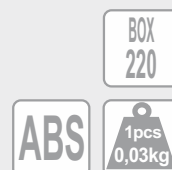
### **NPD-120**

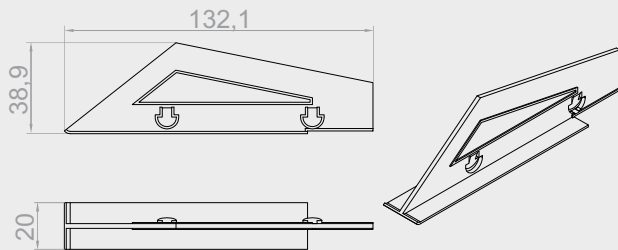
Double side blind for box 180, 250 part 2



### **NPD-150**

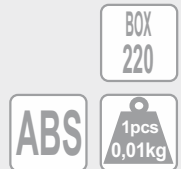
Double side blind for box 220 part 1





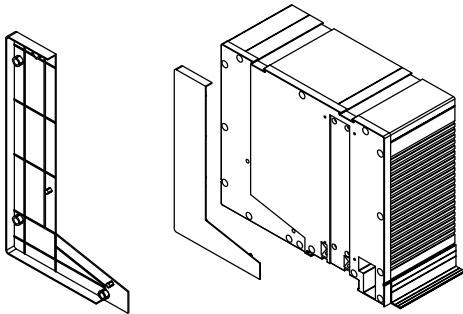
### NPD-160

Double side blind for box 220 part 2



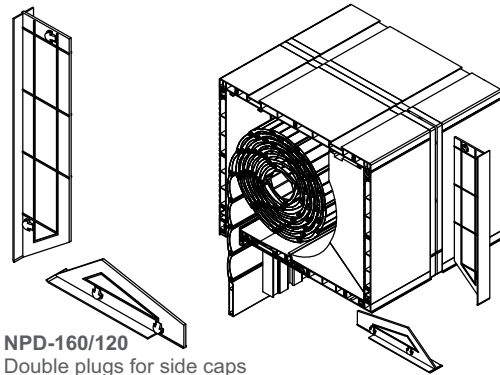
### NPD-010/020/030 L/P.

Plug of the side cap for box 180/220/250 (right/left)



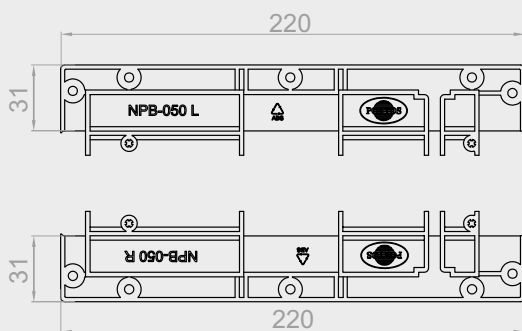
### NPD-110/150/100

Double plugs for side caps of the box 180/220/250



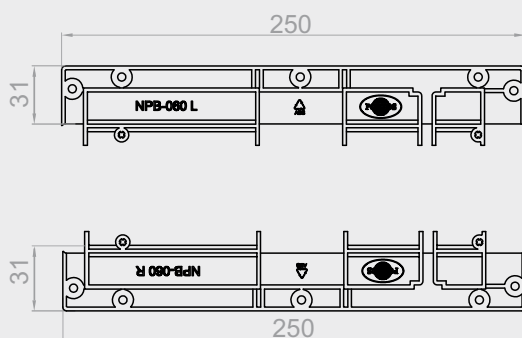
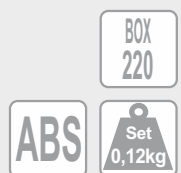
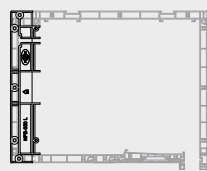
### NPD-160/120

Double plugs for side caps of the box 220/180,250



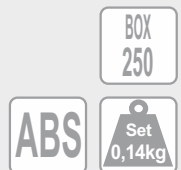
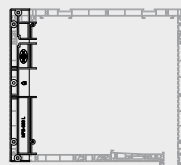
### NPB-050 L/P

Extension of the side cap in box 220 - left and right



### NPB-060 L/P

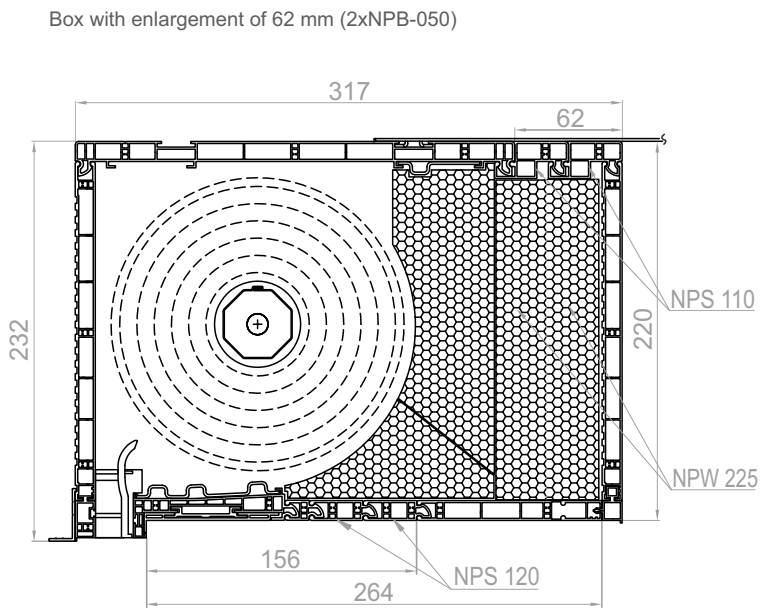
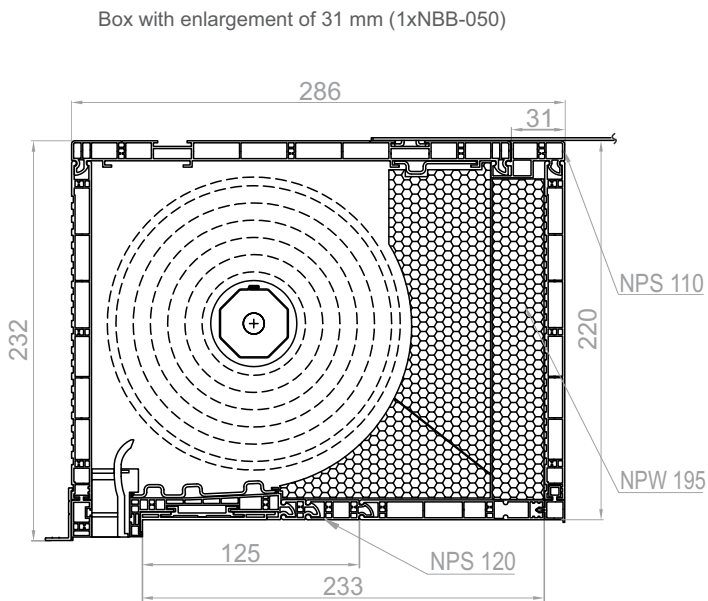
Extension of the side cap in box 250 - left and right



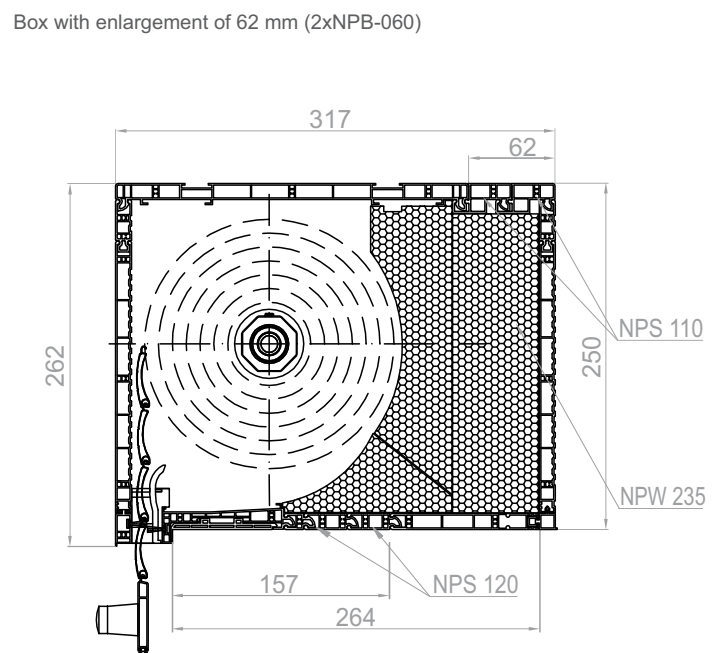
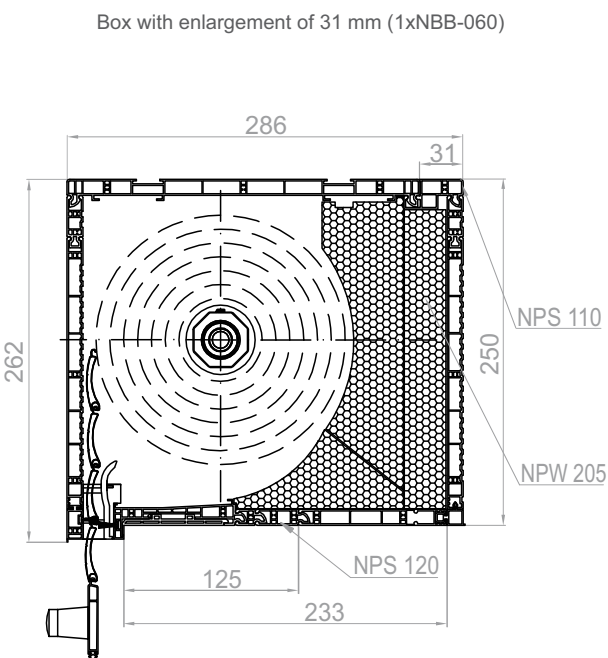
# Components of the TP1000K<sup>®</sup> system

## Box 220, 250 - box enlargement

### View of TP1000K boxes - box 220 with enlargement

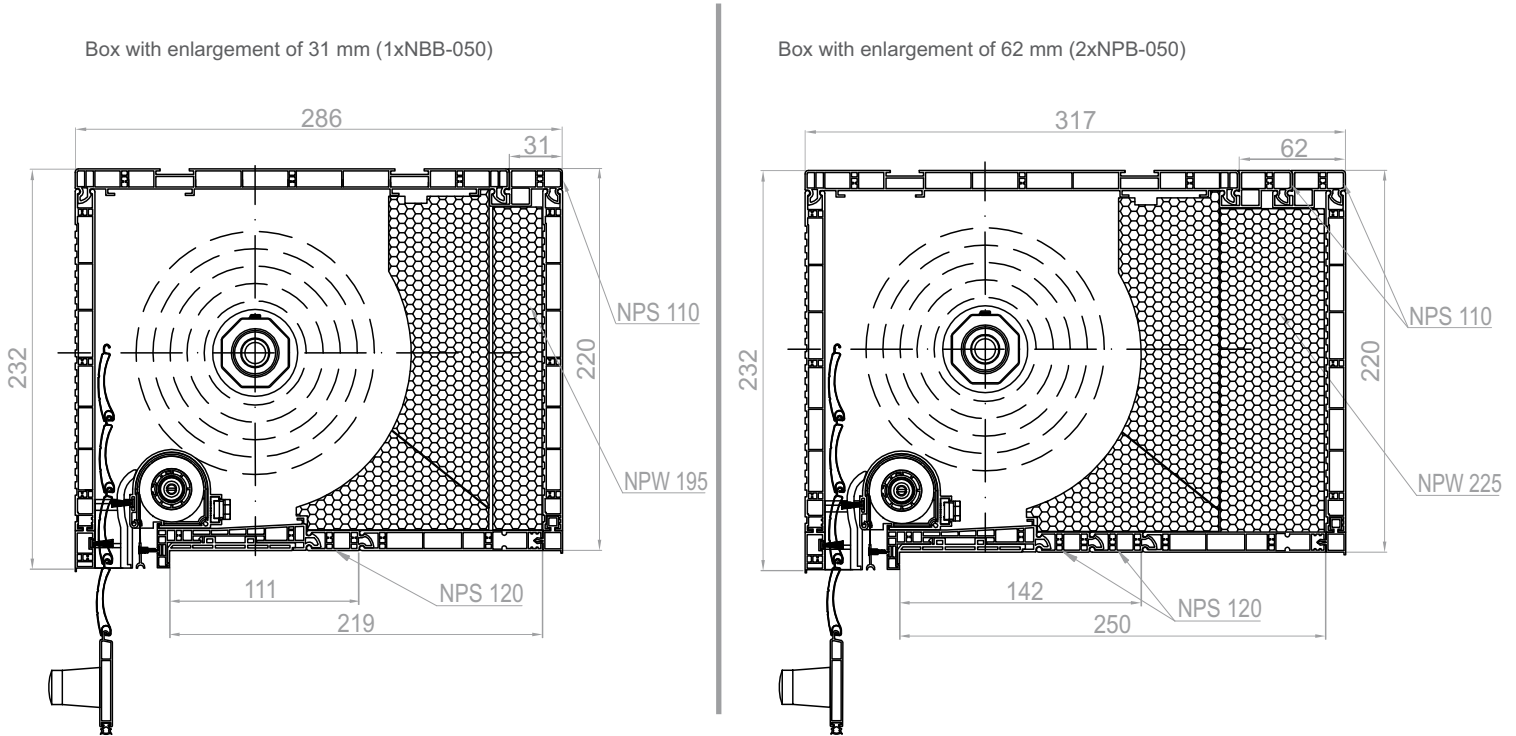


### View of TP1000K boxes - box 250 with enlargement

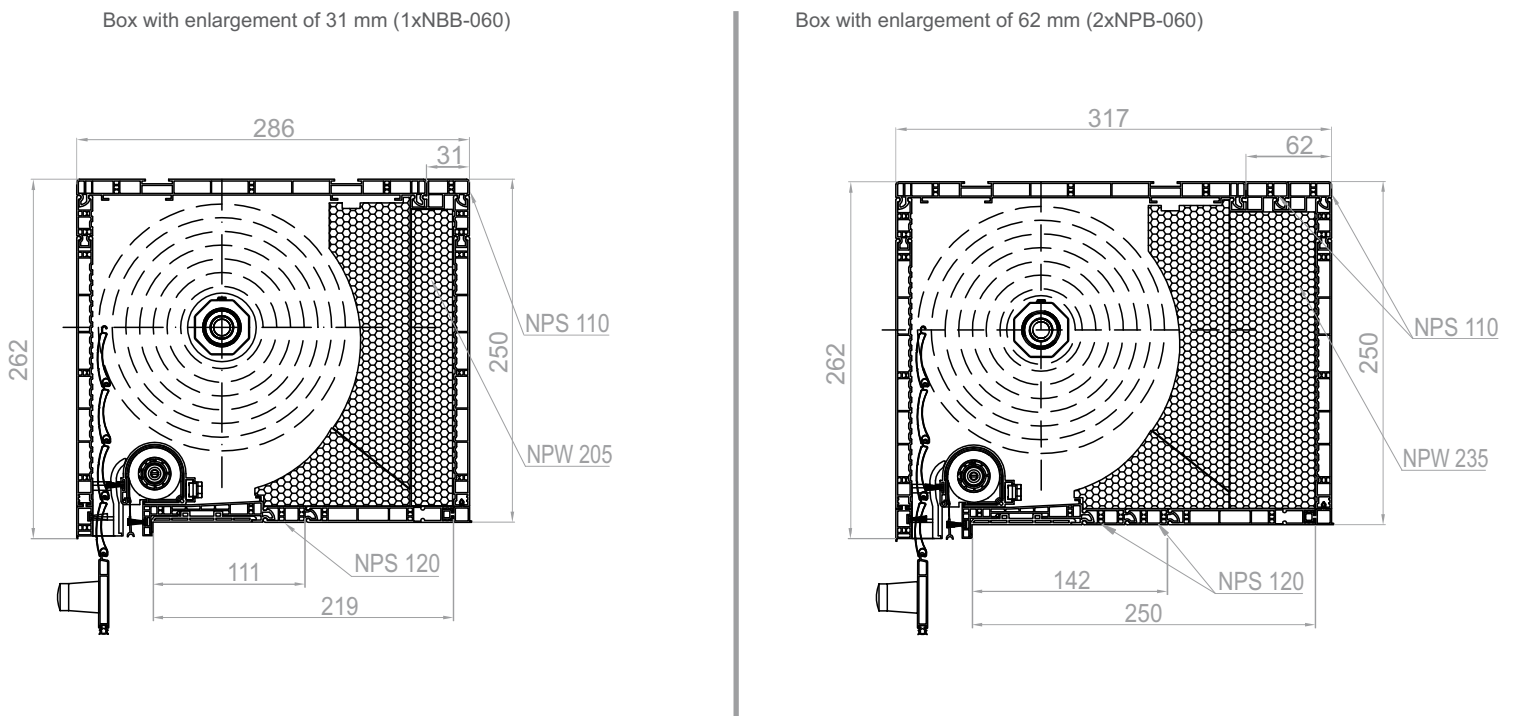




View of TP1000K boxes with mosquito net - box 220 with enlargement

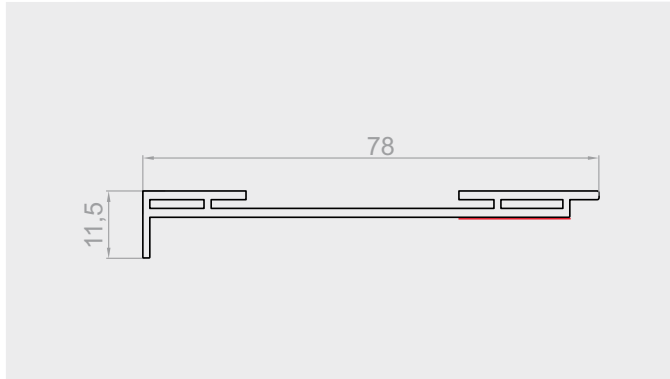


View of TP1000K boxes with mosquito net - box 250 with enlargement



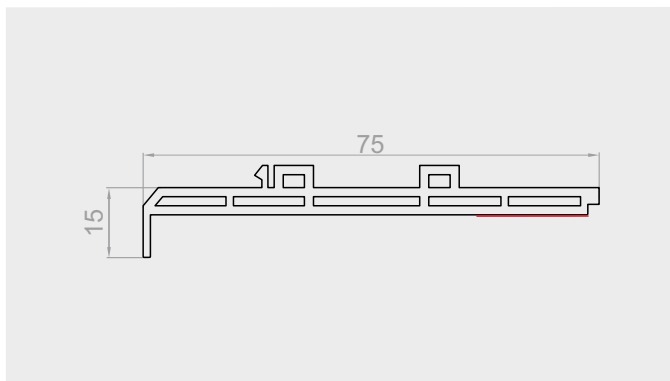
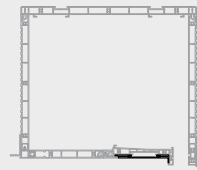
# Components of the TP1000K® system

## Box 180, 220, 250 - adaptation profiles



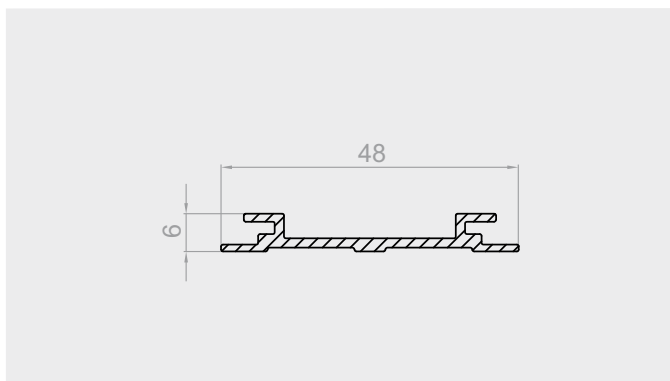
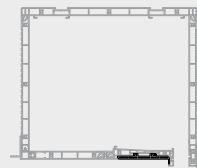
### NPS-010

Box adapting profile click



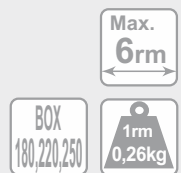
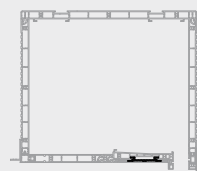
### NPS-011

Box adapting profile

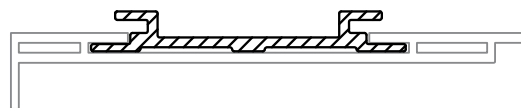


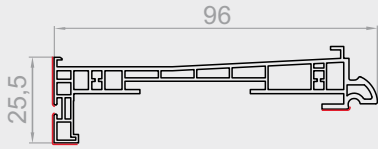
### NPL-020

Aluminum inset for NPS-010.



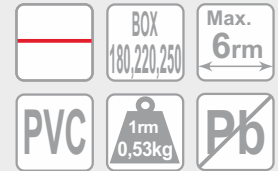
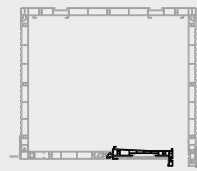
View of NPS-010 adaption profile with NPL-020 aluminium insert.





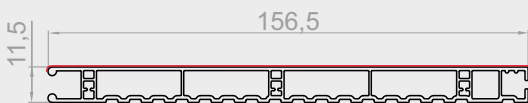
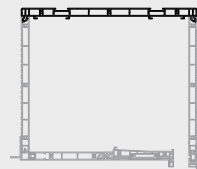
### NPS-020

Bottom shutter box profile with seal



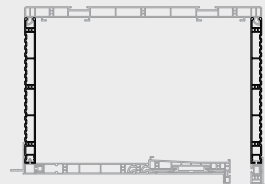
### NPS-030

Top shutter box profile



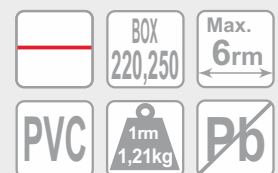
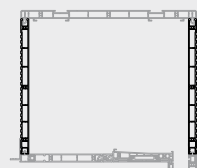
### NPS-040

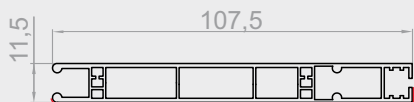
Side profile for box 180



### NPS-051

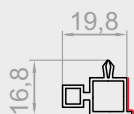
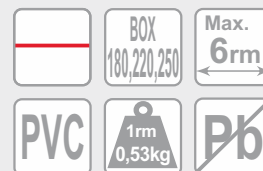
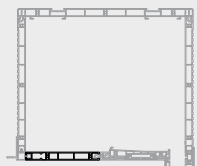
Side profile for box 220, 250





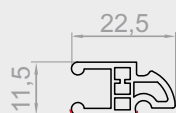
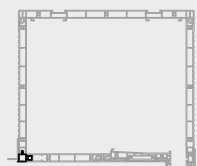
### NPS-070

Bottom inspection hatch



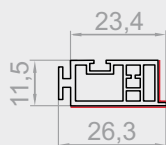
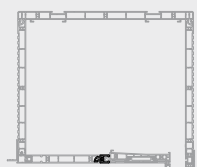
### NPS-080

Connecting profile for box



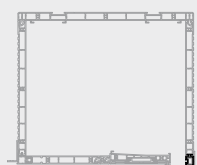
### NPS-090

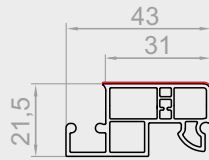
Complement bottom profile



### NPS-100

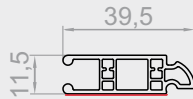
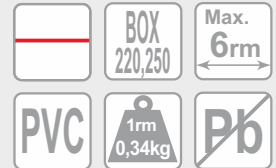
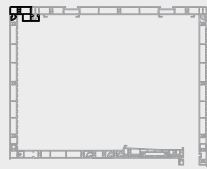
Bottom side profile with seal





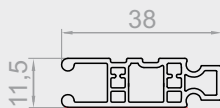
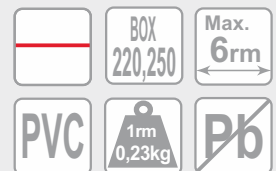
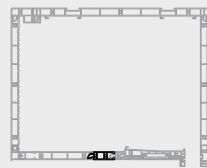
### **NPS-110**

Broadenning upper profile of the box



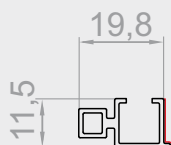
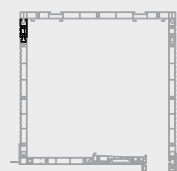
### **NPS-120**

Broadenning bottom profile of the box



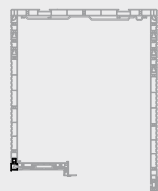
### **NPS-130**

Additional profile for the vertical hatch



### **F-NPS-140**

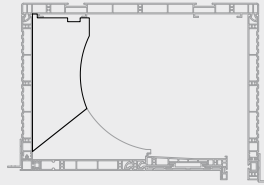
Box profile - connector for external blind.



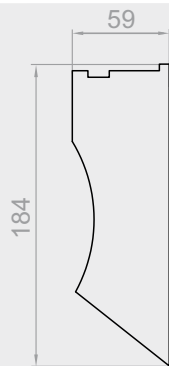


**NPW-015**

Thermal insulation for box 180

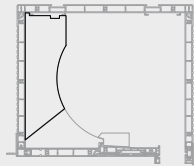


BOX  
180

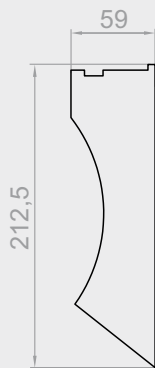


**NPW-025**

Thermal insulation for box 220

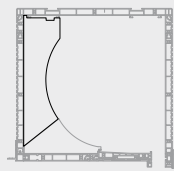


BOX  
220

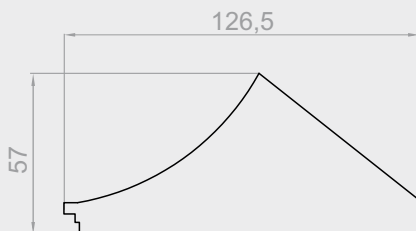


**NPW-035**

Thermal insulation for box 250

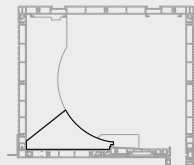


BOX  
250

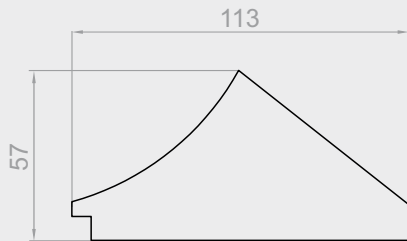


**NPW-045**

Bottom thermal insulation

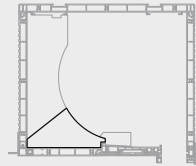


BOX  
180,220,250

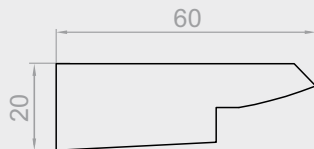


**NPW-055**

Bottom thermal insulation for the box with mosquito net

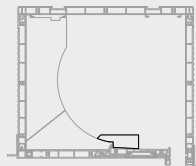


BOX  
180,220,250

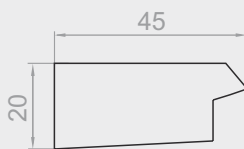


**NPW-065**

Additional thermal insulation for box 180, 220, 250

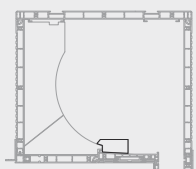


BOX  
180,220,250

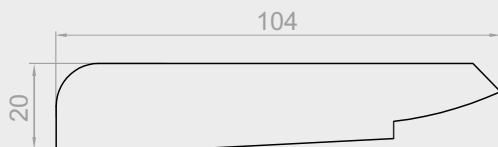


**NPW-075**

Additional thermal insulation  
for the box 180, 220,250 with mosquito net

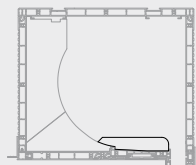


BOX  
180,220,250



**NPW-255**

Additional long thermal insulation  
for box 180, 220,250

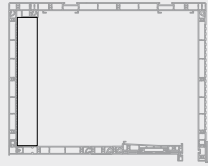


BOX  
180,220,250

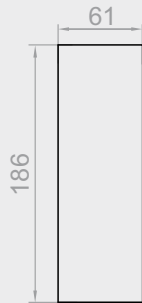


**NPW-195**

Broadening thermal insulation graphite 3cm  
for end cap 220

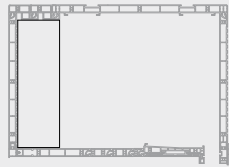


BOX  
220



**NPW-225**

Broadening thermal insulation graphite 6cm  
for end cap 220

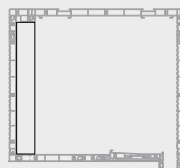


BOX  
220

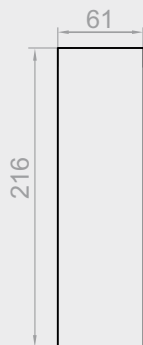


**NPW-205**

Broadening thermal insulation graphite 3cm  
for end cap 250

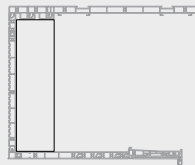


BOX  
250



**NPW-235**

Broadening thermal insulation graphite 6cm  
for end cap 250



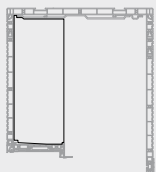
BOX  
250



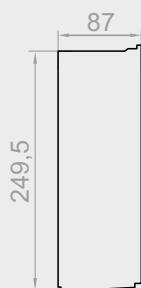


### F-NPW-265

Styrofoam insert of the box with external blind.

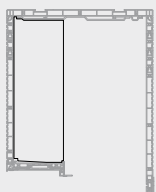


BOX  
250

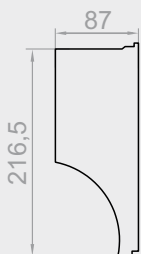


### F-NPW-275

Styrofoam insert of the raised box with external blind.

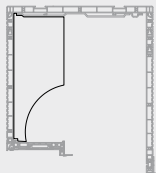


BOX  
250

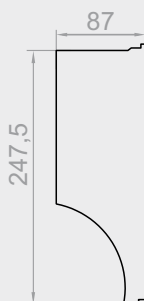


### F-NPW-285

Styrofoam insert of the box with external blind with mosquito net.

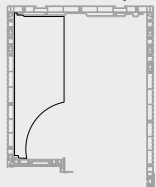


BOX  
250

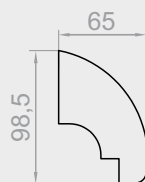


### F-NPW-295

Styrofoam insert of the raised box with external blind with mosquito net.

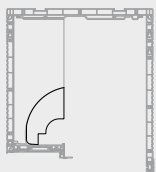


BOX  
250



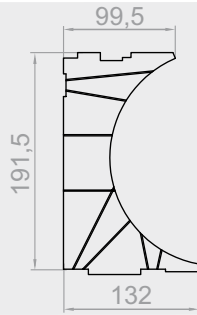
### F-NPW-305

Additional styrofoam insert of the box with external blind.



BOX  
250

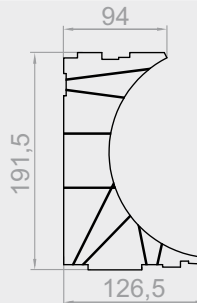
## Components of the TP1000K® system Box 180, 220, 250 - styrofoam inserts



### **NPW-090 L/P**

Thermal insulation for end cap 220

BOX  
220

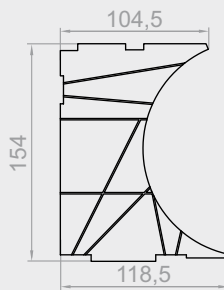


### **NPW-100 L/P**

Thermal insulation for end cap 220 with mosquito net



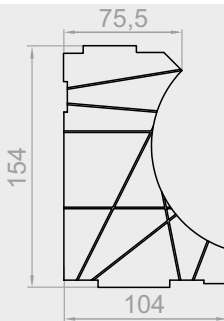
BOX  
220



### **NPW-140 L/P**

Thermal insulation for end cap 180

BOX  
180

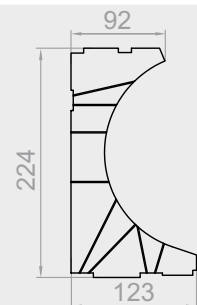


### **NPW-150 L/P**

Thermal insulation for end cap 180 with mosquito net



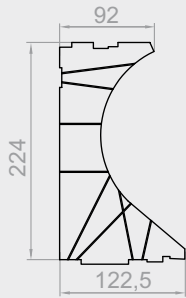
BOX  
180



### **NPW-160 L/P**

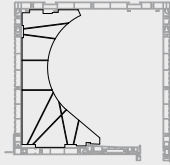
Thermal insulation for end cap 250

BOX  
250

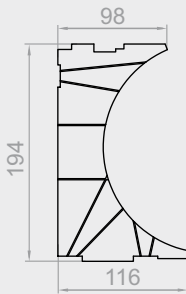


**NPW-170 L/P**

Thermal insulation for end cap 250 with mosquito net

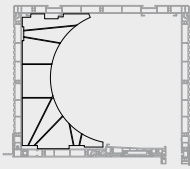


BOX  
250

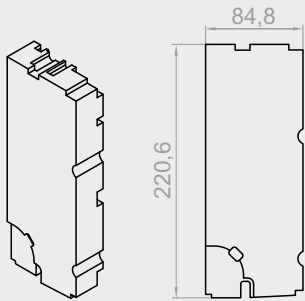


**NPW-240 L/P**

Thermal insulation for division NPJ-020 of the box 220

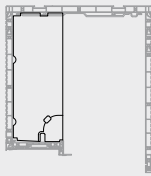


BOX  
220

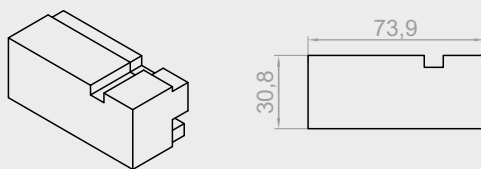


**F-NPW-310 L/P**

Styrofoam insert of side 250 of the box for external blind left/ right.

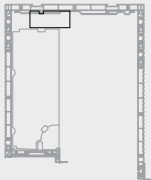


BOX  
220



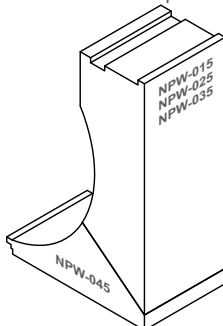
**F-NPW-320 L/P**

Styrofoam insert of side 250 raising of the box for external blind left/ right.

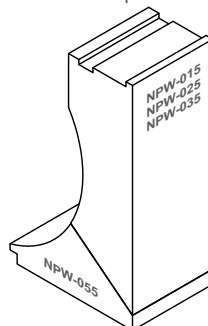


BOX  
220

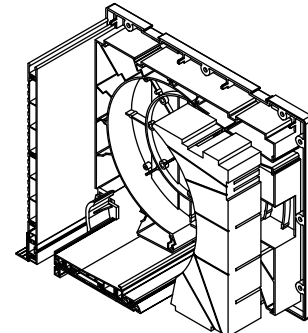
View of NPW-045 bottom styrofoam inserts with NPW-015/025/035 rear inserts - the box without mosquito net

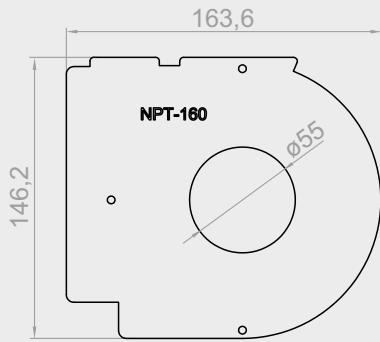


View of NPW-055 bottom styrofoam inserts with NPW-015/025/035 rear inserts - the box with mosquito net



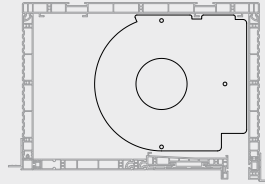
View of styrofoam insert of the side NPW-090/100/140/150/160/170 with the side



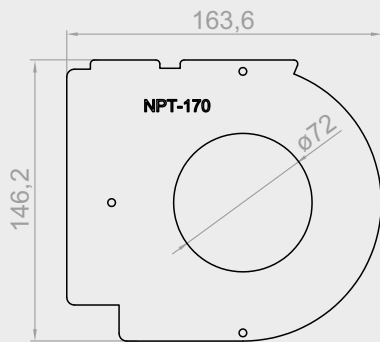


### **NPT-160**

Internal cover of side cap 180 for mounting cap fi-40

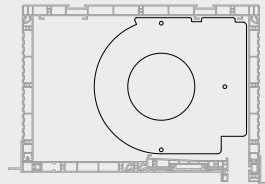


BOX  
180

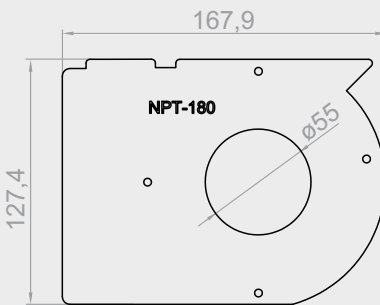


### **NPT-170**

Internal cover of side cap 180 for mounting cap fi-60

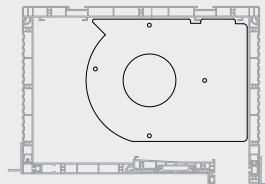


BOX  
180

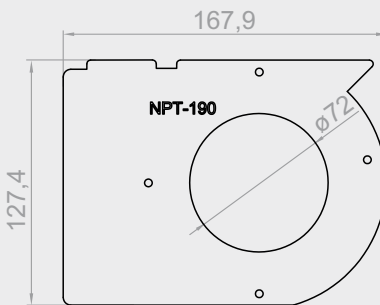


### **NPT-180**

Internal cover of side cap 180 with mosquito net for mounting cap fi-40

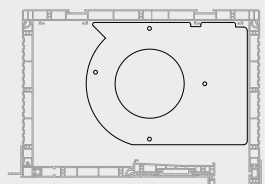


BOX  
180

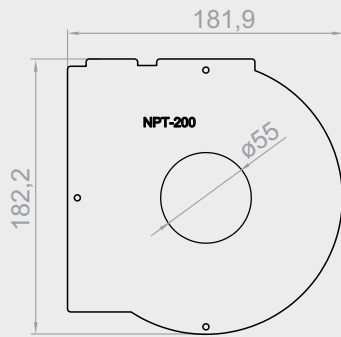


### **NPT-190**

Internal cover of side cap 180 with mosquito net for mounting cap fi-60

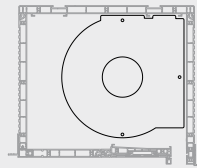


BOX  
180

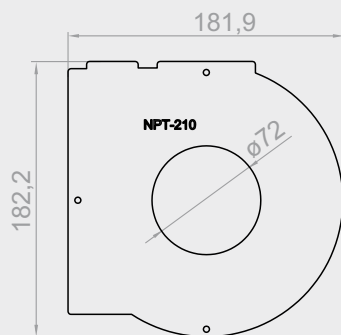


**NPT-200**

Internal cover of side cap 220 for mounting cap fi-40

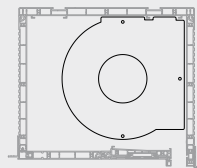


BOX  
220

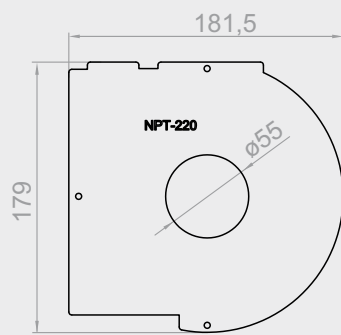


**NPT-210**

Internal cover of side cap 220 for mounting cap fi-60

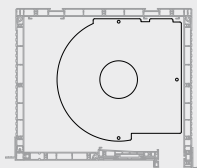


BOX  
220

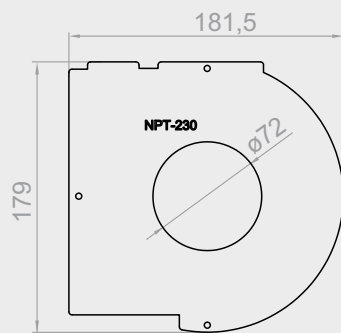


**NPT-220**

Internal cover of side cap 220 with mosquito net for mounting cap fi-40

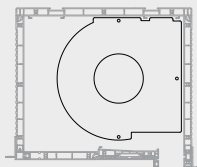


BOX  
220

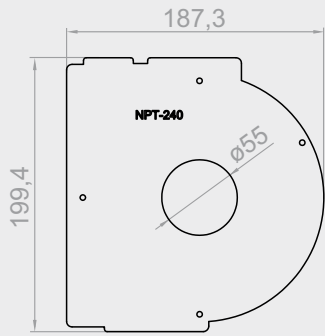


**NPT-230**

Internal cover of side cap 220 with mosquito net for mounting cap fi-60

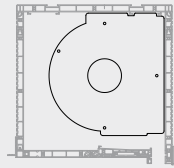


BOX  
220

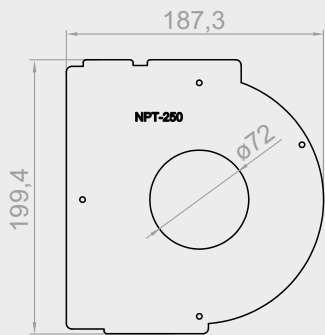


### **NPT-240**

Internal cover of side cap 250 for mounting cap fi-40

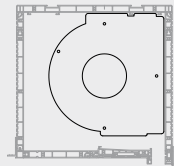


BOX  
250

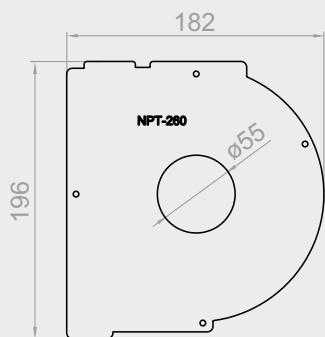


### **NPT-250**

Internal cover of side cap 250 for mounting cap fi-60

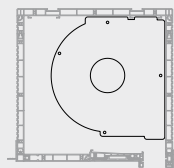


BOX  
250

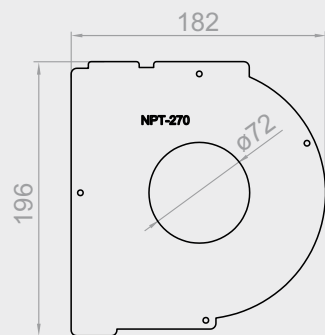


### **NPT-260**

Internal cover of side cap 250 with mosquito net for mounting cap fi-40

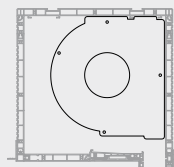


BOX  
250



### **NPT-270**

Internal cover of side cap 250 with mosquito net for mounting cap fi-60

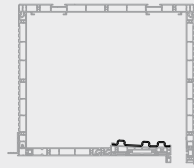


BOX  
250



### NPT-010

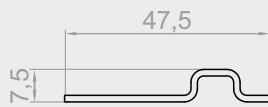
Bottom steel reinforcement for box without mosquito net



Max.  
6mm

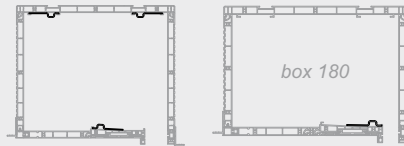
BOX  
180,220,250

1mm  
1,10kg



### NPT-020

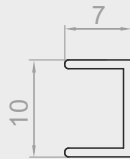
External and internal upper and bottom steel reinforcement for box with mosquito net.  
Bottom steel reinforcement for box 180.



Max.  
6mm

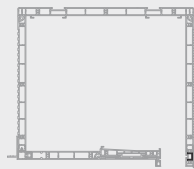
BOX  
180,220,250

1mm  
0,61kg



### RA-2-00 7 MM

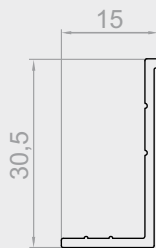
Small reinforcement of cover - raw 7mm



Max.  
6mm

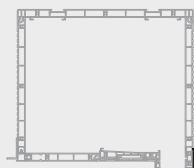
BOX  
180,220,250

1mm  
0,06kg



### NPL-010

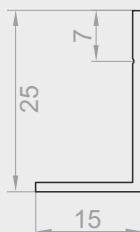
Lath for plaster finishes



Max.  
6mm

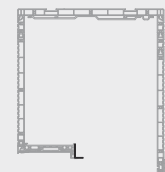
BOX  
180,220,250

1mm  
0,18kg



### LT

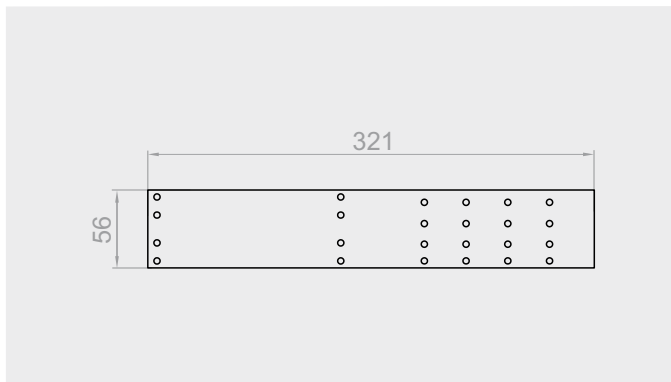
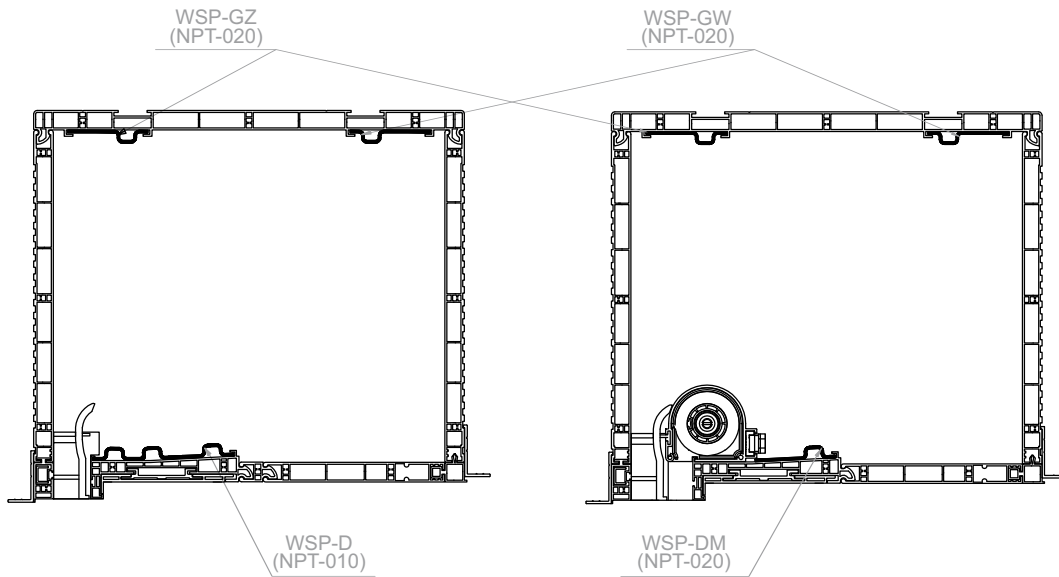
Covering lath of the external blind box without mosquito net.



Max.  
6mm

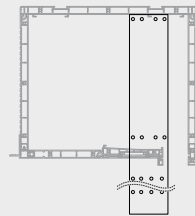
BOX  
250

Arrangement of **NPT-010** and **NPT-020** reinforcements in TP1000K shutter boxes without and with mosquito net



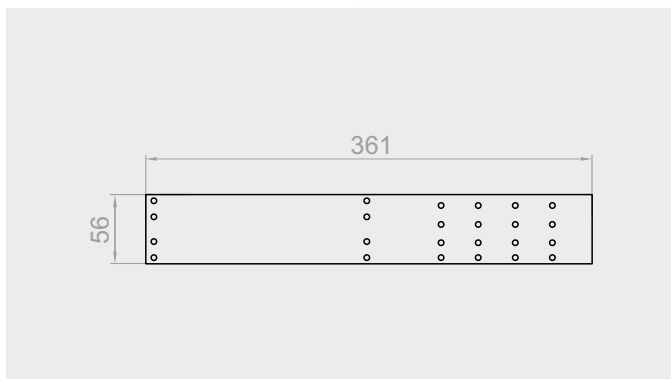
**NPT-140**

Steel side connector 56mm for box 180



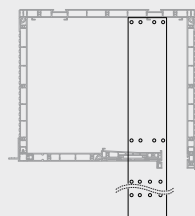
BOX  
180

1 pcs  
0,14kg



**NPT-040**

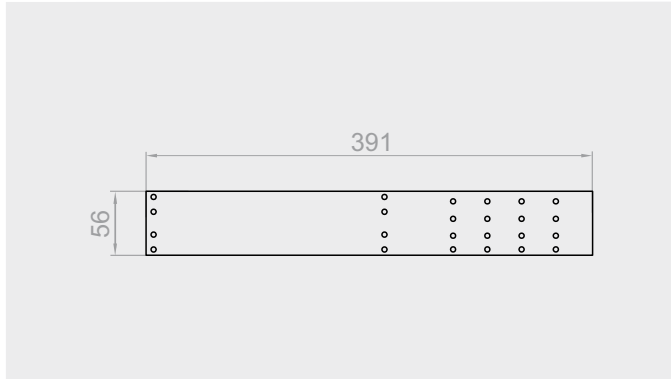
Steel side connector 56mm for box 220



BOX  
220

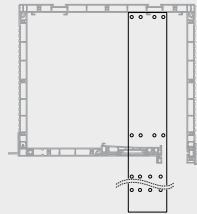
1 pcs  
0,23kg





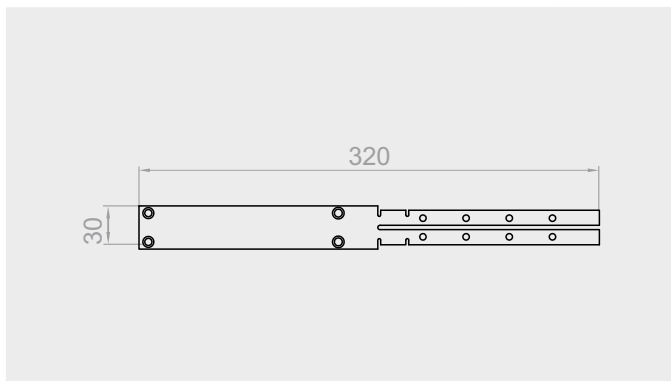
**NPT-150**

Steel side connector 56mm for box 250



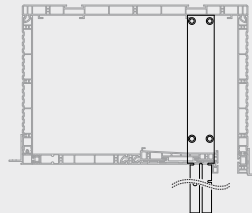
BOX  
250

1pcs  
0,17kg



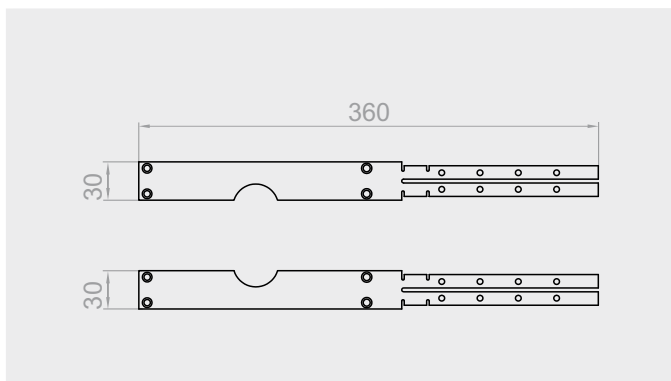
**NPT-120**

Steel side connector 30mm for box 180



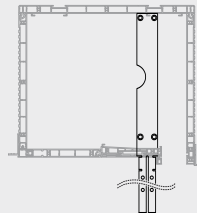
BOX  
180

1pcs  
0,06kg



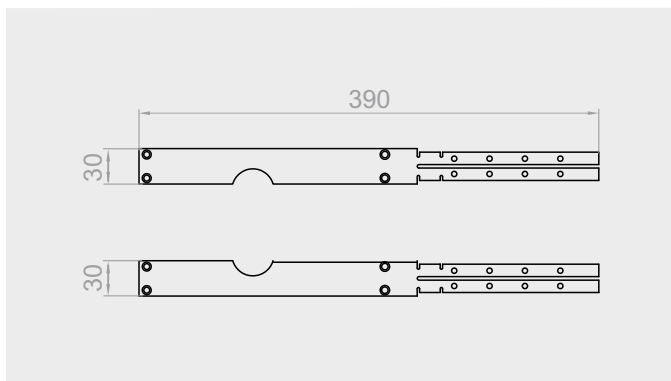
**NPT-030 L/P**

Steel side connector 30mm for box 220



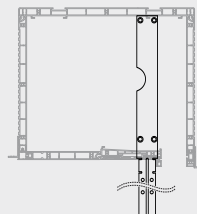
BOX  
220

1pcs  
0,11kg



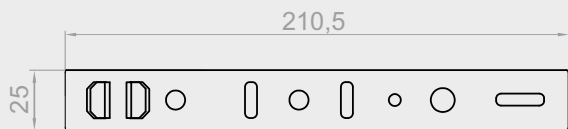
**NPT-130 L/P**

Steel side connector 30mm for box 250



BOX  
250

1pcs  
0,07kg



**NPT-050**

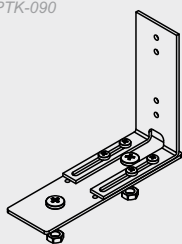
Steel mounting anchor



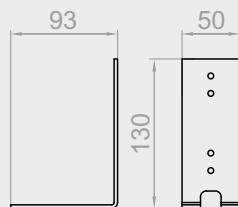
BOX  
180,220,250

1 pcs  
0,06kg

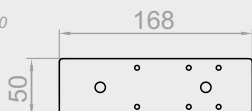
NPTK-090



NPT-330



NPT-320



**F-NPTK-090**

Lintel handle for roller shutter with external blind.

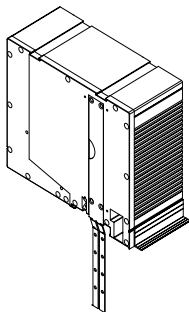
**F-NPT-320**

Lintel handle for roller shutter with external blind bottom.

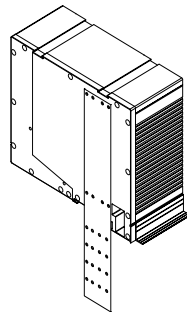
**F-NPT-330**

Lintel handle for roller shutter with external blind top.

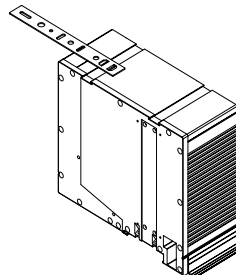
**NPT-030** - Steel side handle  
30 mm.



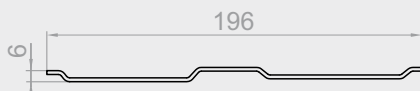
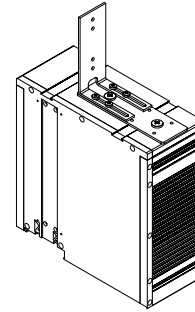
**NPT-040** - Steel side handle  
56 mm.



**NPT-050** - Steel mounting anchor.

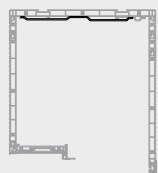


**F-NPTK-090** - Lintel handle for roller shutter  
with external blind.

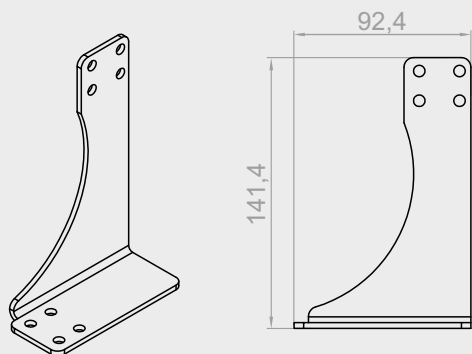


**F-NPT-280**

Main holder for external blind.

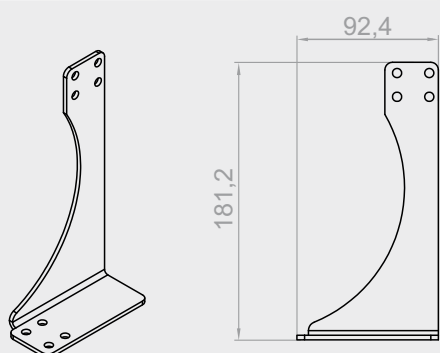


BOX  
250



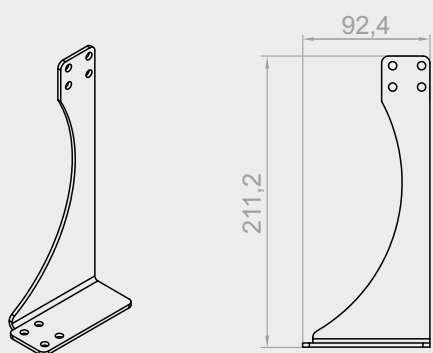
**NPT-060**

Stabilizing console for box 180



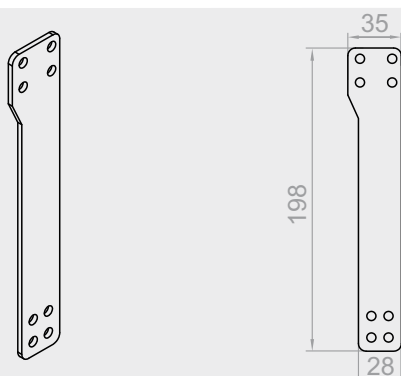
**NPT-070**

Stabilizing console for box 220



**NPT-080**

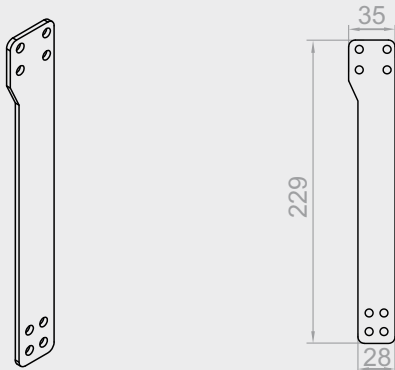
Stabilizing console for box 250



**F-NPT-290**

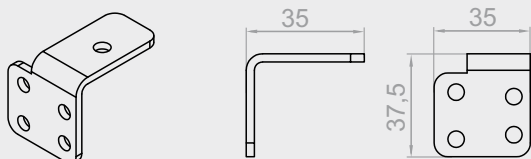
Inner console of the box 250 for external blind.





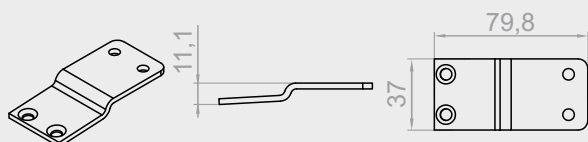
**F-NPT-300**

Inner console of the raised box 250 for external blind.



**NPT-090**

Top connector of stabilizing console



**NPT-100**

Bottom connector of stabilizing console without reinforcement



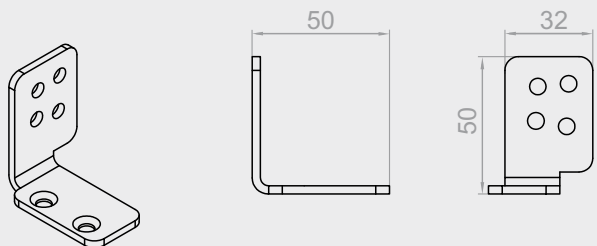
**NPT-110**

Bottom connector of stabilizing console with reinforcement



### F-NPT-310

Lower connector of the stabilizing console for external blind.



BOX  
250

1pcs  
0,056kg

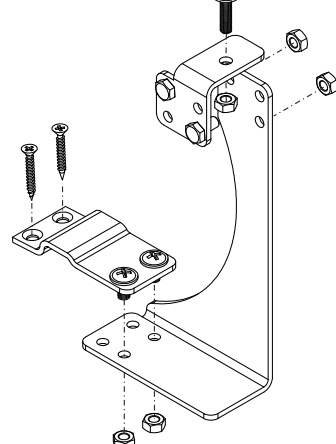
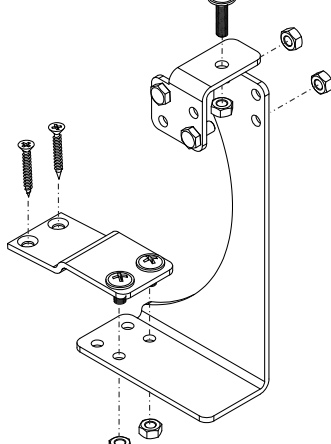
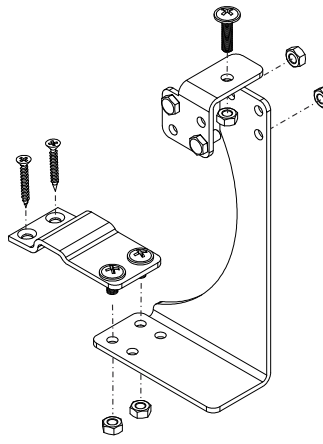
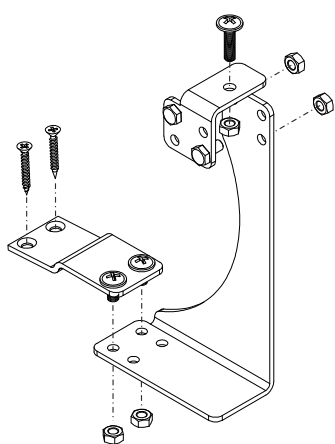
View of stabilizing consoles with connectors.

**TP1000K** Shutter stabilizing console  
**NPTK-030** - 180 box  
**NPTK-010** - 220 box  
**NPTK-050** - 250 box

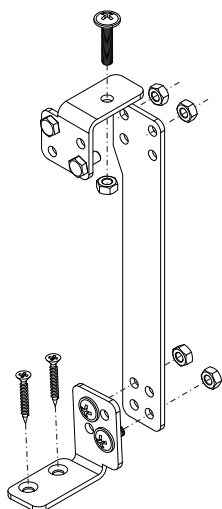
**TP1000K** Shutter stabilizing console  
with bottom reinforcement  
**NPTK-040** - 180 box  
**NPTK-020** - 220 box  
**NPTK-060** - 250 box

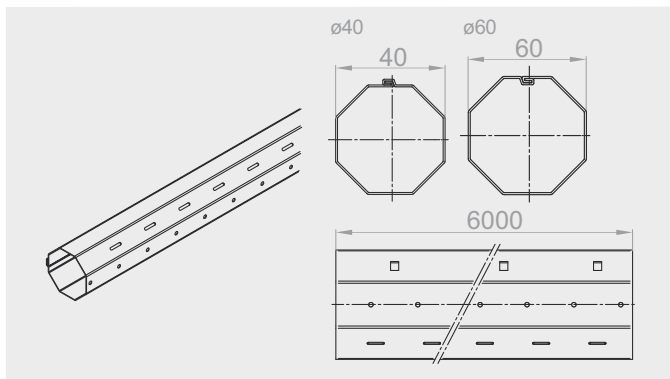
**TP1000K** Shutter stabilizing console  
with mosquito net  
**NPTK-030** - box 180 with mosquito net  
**NPTK-010** - box 220 with mosquito net  
**NPTK-050** - box 250 with mosquito net

**TP1000K** Shutter stabilizing console  
with bottom reinforcement  
with mosquito net  
**NPTK-040** - box 180 with mosquito net  
**NPTK-020** - box 220 with mosquito net  
**NPTK-060** - box 250 with mosquito net



**TP1000K-ZF** roller shutter stabilizing console  
**F-NPTK-070** - for box 250 with external blind  
**F-NPTK-080** - for raised box 250 with external blind



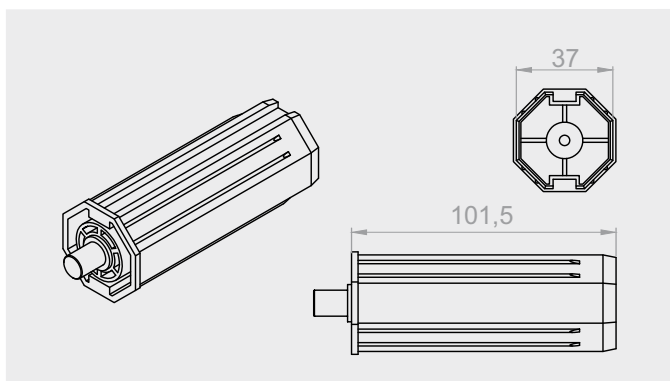
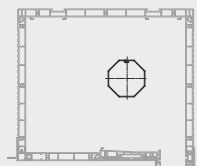


**SW 40**

Octagonal pipe 40

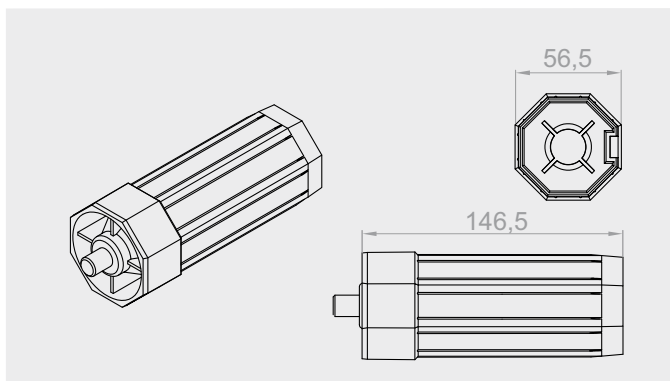
**SW 60**

Octagonal pipe 60



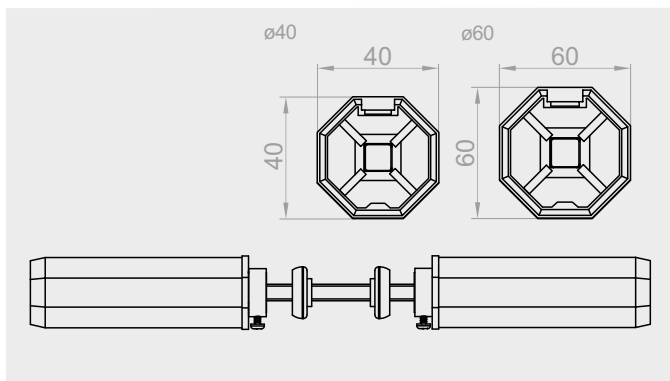
**OBS-40-PVC**

PVC mounting with pin for pipe ø 40



**OBS-60-PVC**

PVC mounting with pin for pipe ø 60



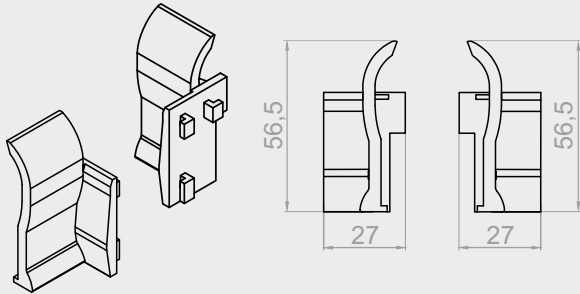
**RKZ 34**

Round bolt for octagonal pipe 40mm

**RKZ 35**

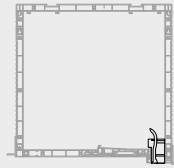
Round bolt for octagonal pipe 60mm





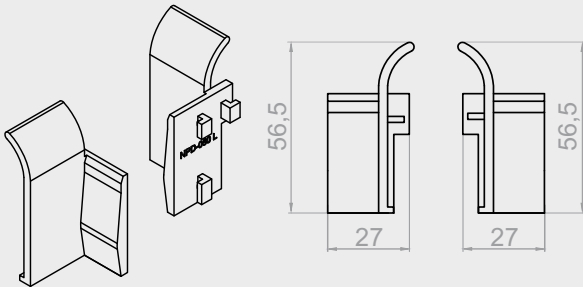
**NPD-050**

Entry guide for profile 37-45 left/right



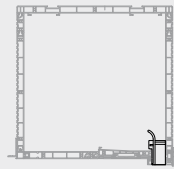
BOX  
160,220,250

1pcs  
0,009kg



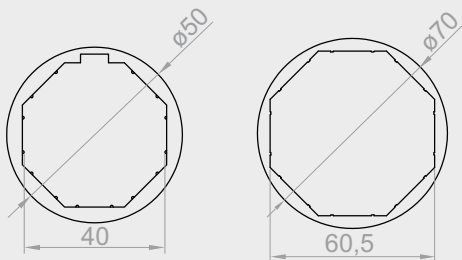
**NPD-060**

Entry guide for profile 52 left/right



BOX  
160,220,250

1pcs  
0,009kg

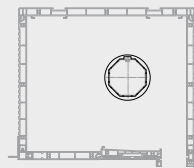


**PZ 40/50**

40/50 expansion ring

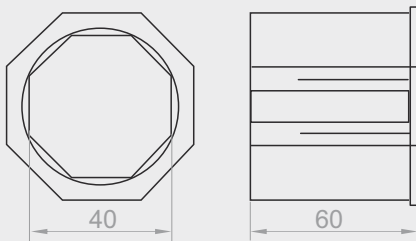
**PZ 60/70**

60/70 expansion ring



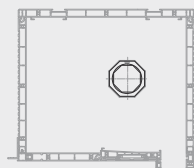
Ø40  
1pcs  
0,01kg

Ø60  
1pcs  
0,03kg

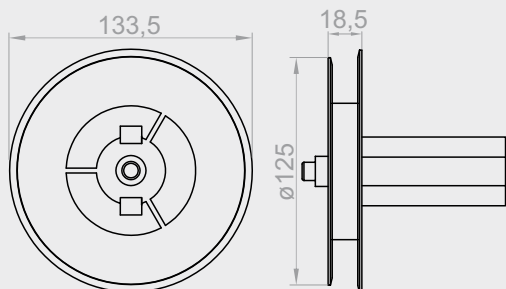


**RED-40-60**

Reduction 40/60



1pcs  
0,05kg

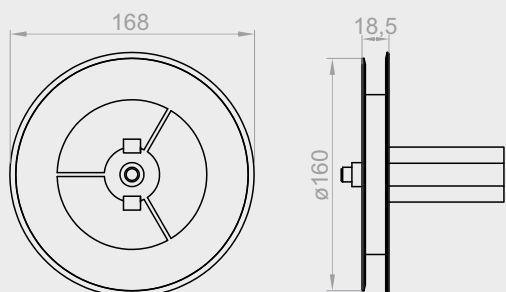


### **RKZ 71**

Pulley for the box 180

BOX  
180

1pcs  
0,09kg

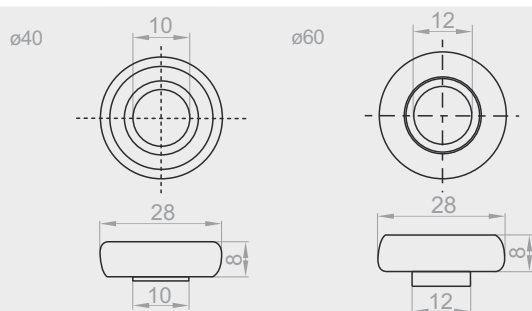


### **RKZ 72**

Pulley of shutter box 220,250

BOX  
220,250

1pcs  
0,13kg



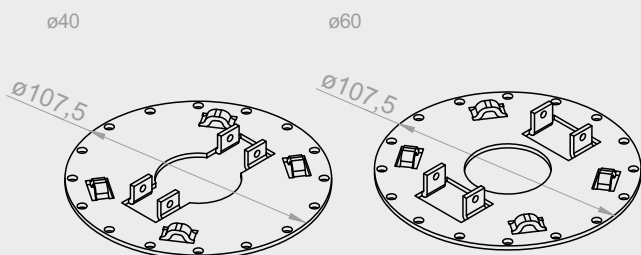
### **LO-28/10**

28/10 bearing for PVC shutter boxes fi 40

### **LO-28/12**

28/12 bearing for PVC shutter boxes fi 60

1pcs  
0,02kg

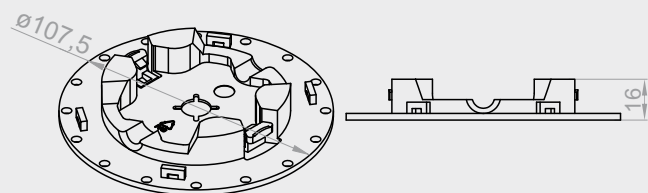


### **RKZ P4**

Plate for mounting tubular motor in PVC shutter box fi 40

### **RKZ P6**

Plate for mounting tubular motor in PVC shutter box fi 60

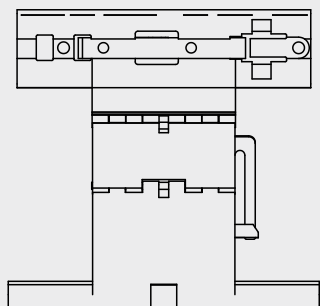


### **US-PADS 60**

Plate for mounting tubular motor in PVC shutter box fi 60

1pcs  
0,03kg





**WBZ1-40**

Lokking hanger 1-part for pipe 40

**WBZ2-40**

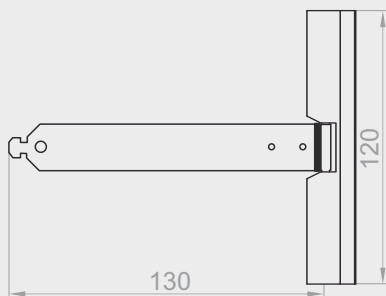
Lokking hanger 2-part for pipe 40

**WBZ1-60**

Lokking hanger 1-part for pipe 60

**WBZ2-60**

Lokking hanger 2-part for pipe 60



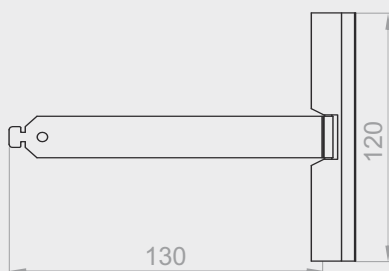
**WS-37/40-130**

Steel hanger 130



**WS-37/40-170**

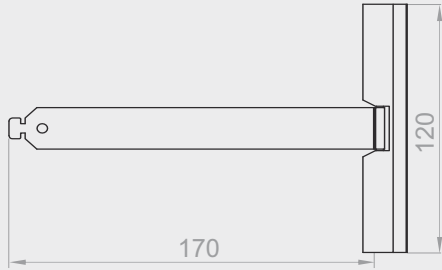
Steel hanger 170



**WS-37/40-130 S**

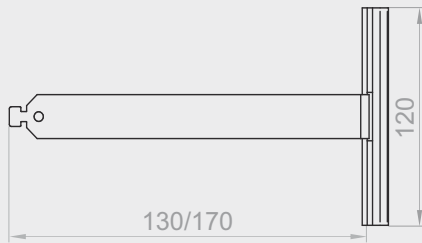
Steel hanger 130 alu for motors





**WS-37/40-170 S**

Steel hanger 170 alu for motors

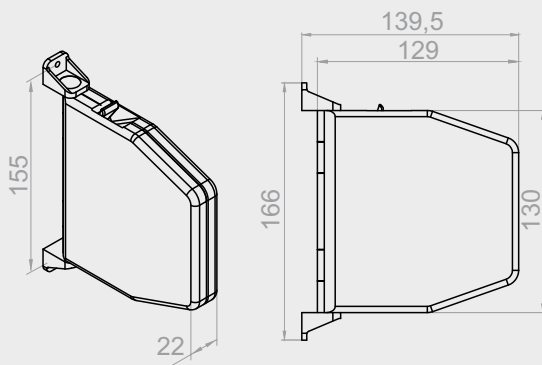


**WS-37/40-130 ALU**

Steel hanger 130 alu

**WS-37/40-170 ALU**

Steel hanger 170 alu

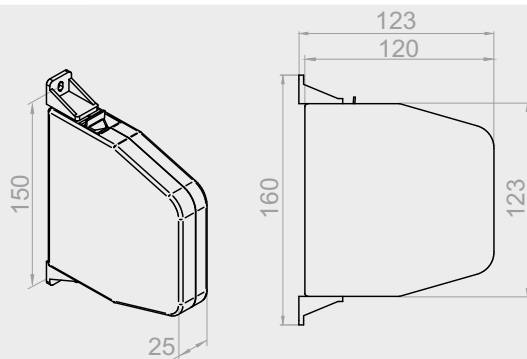


**ZT-5M02**

Tape (strip) coiler up to 5m - white

**ZT-5M08**

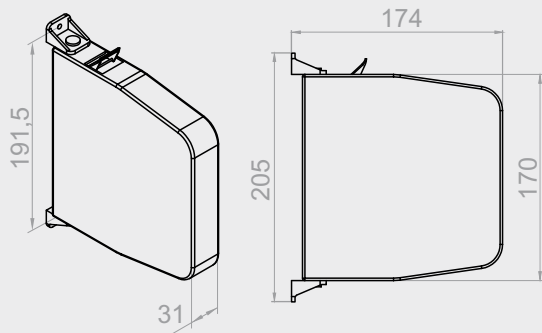
Tape (strip) coiler up to 5m - brown



**ZT/L-5M-23**

Tape/cord colier 5 m anthracite



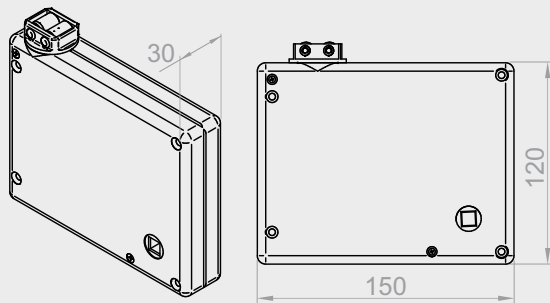


**ZT-11M02**

Tape (strip) coiler up to 11m - white

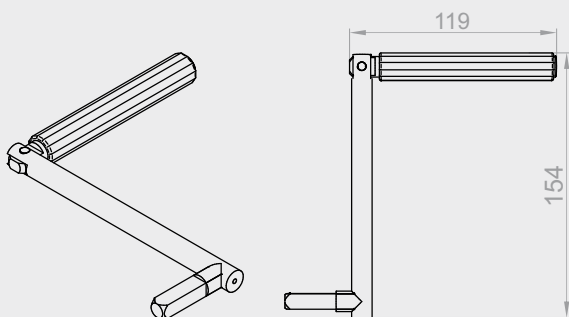
**ZT-11M08**

Tape (strip) coiler up to 11m - brown



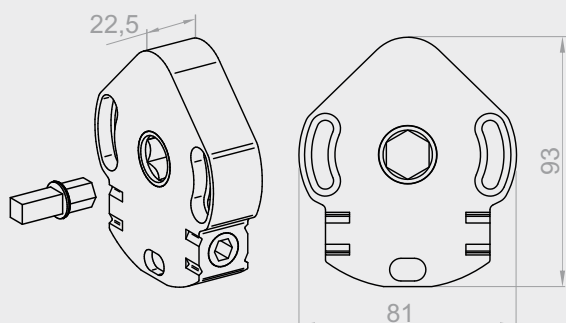
**KPT KM**

Cassette (box) with tape (strip) transmission



**KRM-140**

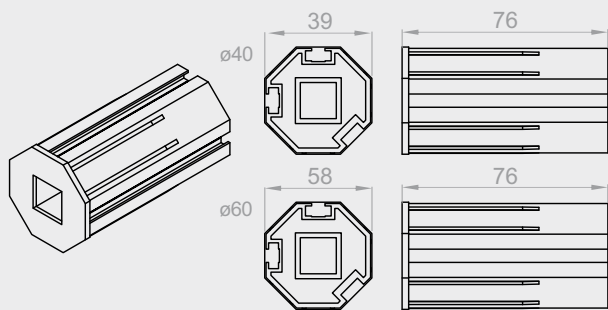
Mignon crank 140 mm



**ACE-1-8**

ACE 1:8 crank mechanism



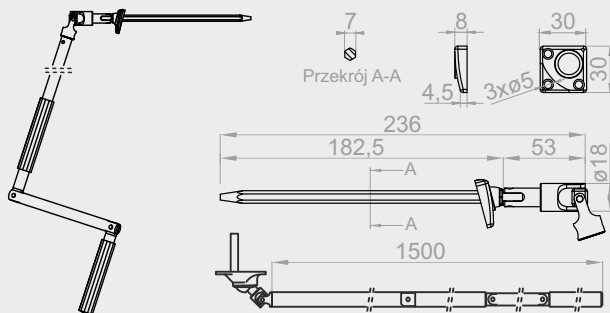


### OBS-40-ACE

Mounting cap fi-40 for ace mechanism

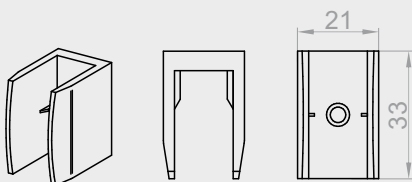
### OBS-60-ACE

Mounting cap fi-60 for ace mechanism



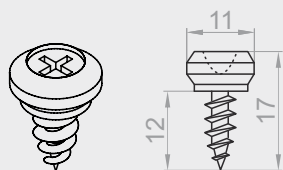
### KRH-ZF

Kardan 90 with 1500mm crank



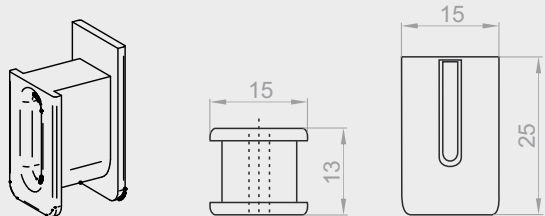
### U-KRD

Wall handle for kardan crank



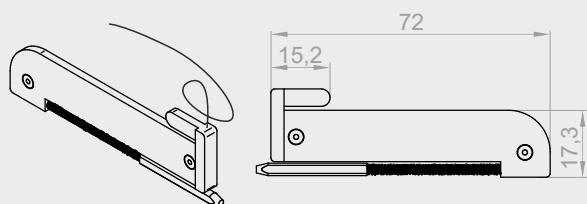
### NYP

Guide nipple



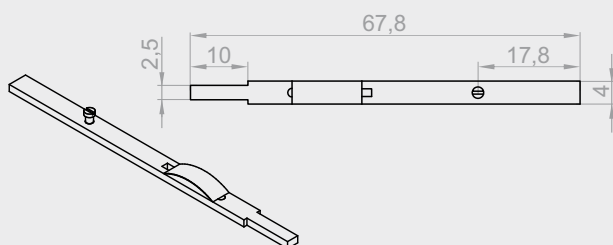
**NPD-040**

Belt guide



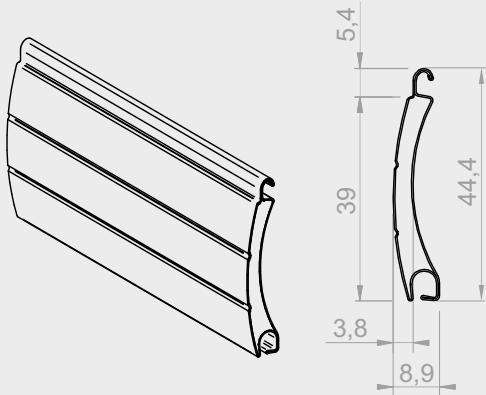
**RA**

Automatic bolt



**ZR**

Latch (manual bolt)



**PA 39/0k**

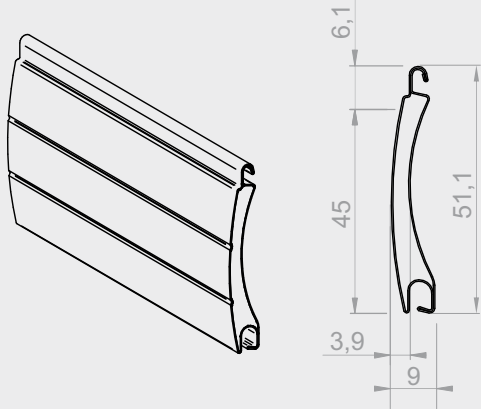
Aluminium profile pa 39 - perforated

**PA 39/1k**

Aluminium profile pa 39 - unperforated

Profile height	39 mm
Profile thickness	8,9 mm
Profile weight 1 m <sup>2</sup>	2,8 kg
Maximum profile length	6 rm
Number of laths 1m high	26 pcs
Maximum area	6,5 m <sup>2</sup>
Maximum shutter width	2500 mm

Profile colors (k)																					
01 - silver	02 - white	03 - grey	04 - dark beige	05 - beige	07 - light grey	08 - dark brown	09 - brown	13 - green	15 - cream white	16 - ivory	19 - maroon	20 - black	22 - mahogany	23 - anthracite	24 - steel anthracite DB703	26 - steel olive	27 - basalt grey	30 - walnut	34 - bog oak	48 - golden oak	54 - winchester



**PA 45/0k**

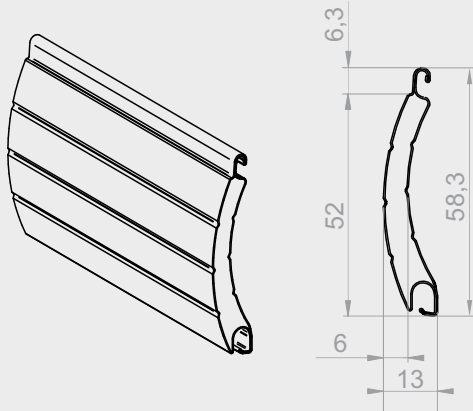
Aluminium profile pa 45 - perforated

**PA 45/1k**

Aluminium profile pa 45 - unperforated

Profile height	45 mm
Profile thickness	9 mm
Profile weight 1 m <sup>2</sup>	2,9 kg
Maximum profile length	6 m
Number of laths 1m high	23 pcs
Maximum area	6,5 m <sup>2</sup>
Maximum shutter width	3000 mm

Profile colors (k)																		
01 - silver	02 - white	03 - grey	04 - dark beige	05 - beige	07 - light grey	08 - dark brown	09 - brown	13 - green	15 - cream white	16 - ivory	19 - maroon	20 - black	22 - mahogany	23 - anthracite	26 - steel olive	30 - walnut	48 - golden oak	54 - winchester



**PA 52/0k**

Aluminium profile pa 52 - perforated

**PA 52/1k**

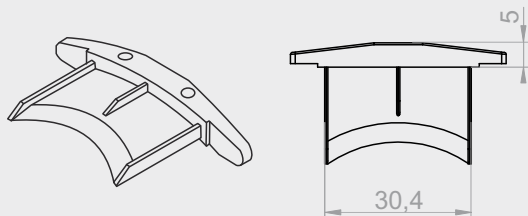
Aluminium profile pa 52 - unperforated

Profile height	52 mm
Profile thickness	13 mm
Profile weight 1 m <sup>2</sup>	3,0 kg
Maximum profile length	6 m
Number of laths 1m high	19 pcs
Maximum area	8,0 m <sup>2</sup>
Maximum shutter width	3700 mm

Profile colors (k)

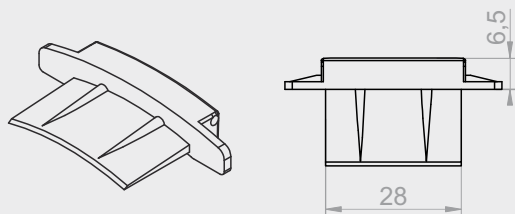
01 - silver	02 - white	03 - grey	05 - beige	07 - light grey	08 - dark brown	09 - brown	15 - cream white	16 - ivory	23 - anthracite	26 - steel olive	30 - walnut	48 - golden oak





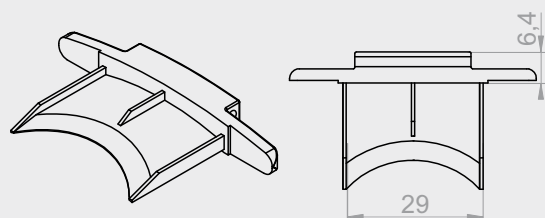
### **APA 39 M**

Lateral cap for PA-39 ALU slat



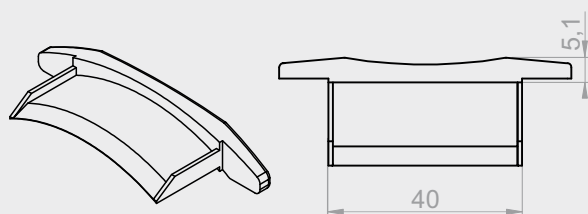
### **APA 37-R**

Lateral cap for PA-39 slat, bolts



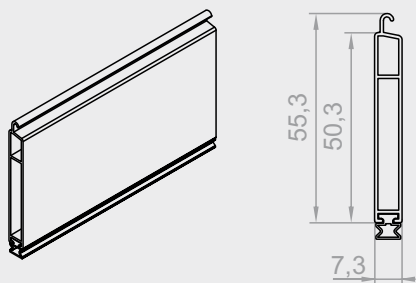
### **APA 45-R**

Lateral cap for PA-45 ALU slat, bolts



### **APA 52**

Lateral cap for PA-52 ALU slat

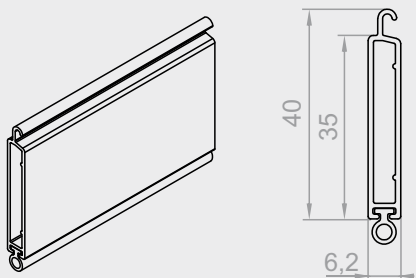


**LD-37**

Bottom lath for profile PA 39, PA 45, PA 52,

**KA-44**

Seal for LD-37

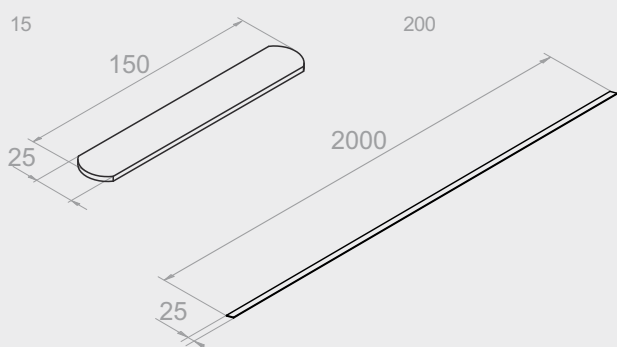


**LD-35 MINI**

Bottom lath for profiles PA 39, PA 45,

**KA-44B**

Seal for LD-35 MINI

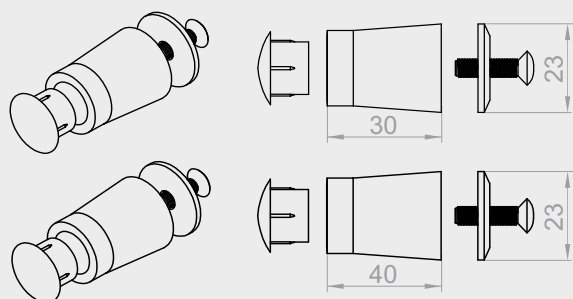


**LD-OBCIAŻNIK 15**

Weight of bottom lath 15cm

**LD-OBCIAŻNIK 200**

Weight of bottom lath 200cm



**BF** (without plug)

**BF-ZAT**

Bottom lath bumper

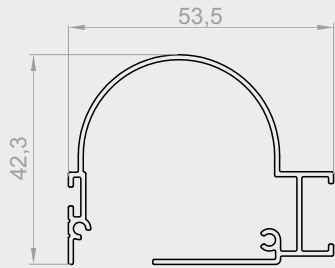


**BF-40MM** (without plug)

**BF-ZAT**

Bottom lath bumper

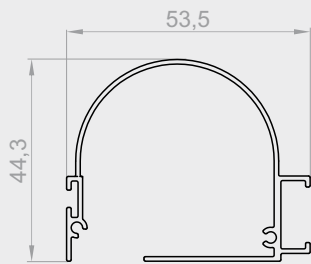




**M-RN-090**

Mosquito's net cassette for box 180

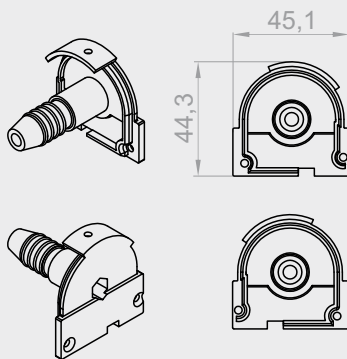
BOX  
180



**M-RN-011**

Mosquito's net cassette for box 220,250

BOX  
220,250



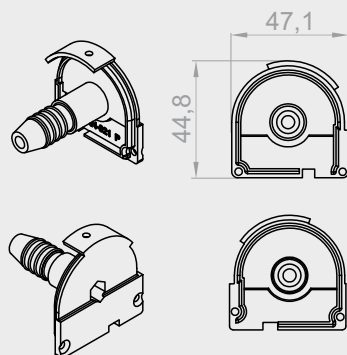
**M-RN-080 L/P**

Side caps of mosquito's net cassette in box 180

BOX  
180

ABS

1pcs  
0,01kg



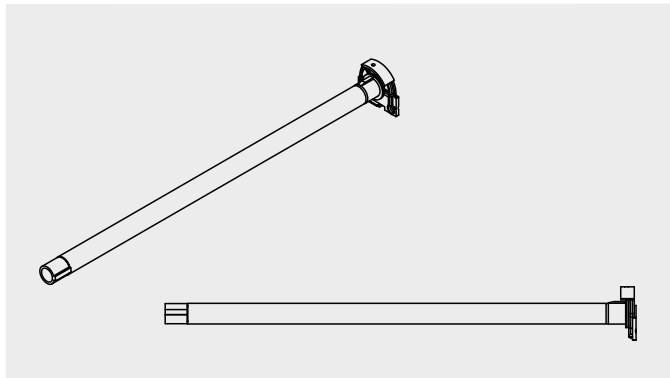
**M-RN-021 L/P**

Side caps of mosquito's net cassette in box 220, 250

BOX  
220,250

ABS

1pcs  
0,01kg



**MZN-060**

Side cap of the mosquito's net cassette with spring 240 in box 180

**MZN-070**

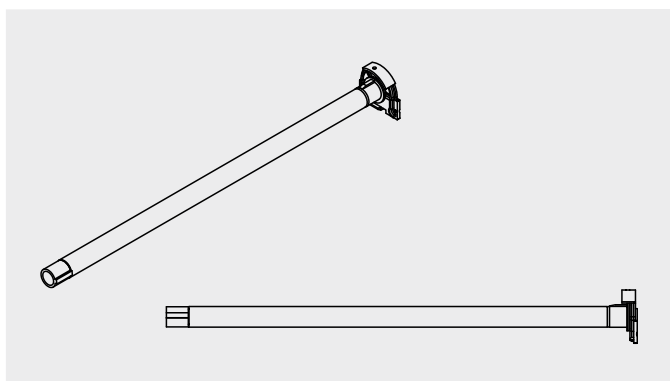
Side cap of the mosquito's net cassette with spring 260 in box 180

**MZN-080**

Side cap of the mosquito's net cassette with spring 310 in box 180

**MZN-090**

Side cap of the mosquito's net cassette with spring 350 in box 180



**MZN-021**

Side cap of the mosquito's net cassette with spring 240 in box 220, 250

**MZN-031**

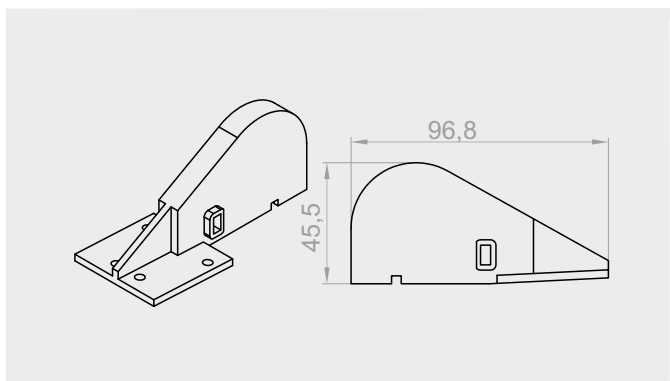
Side cap of the mosquito's net cassette with spring 260 in box 220, 250

**MZN-041**

Side cap of the mosquito's net cassette with spring 310 in box 220, 250

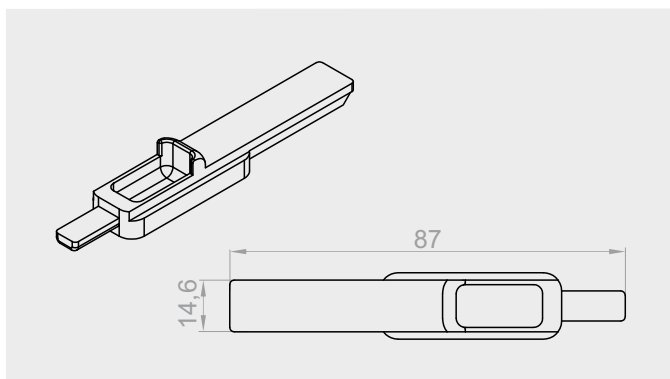
**MZN-051**

Side cap of the mosquito's net cassette with spring 350 in box 220, 250



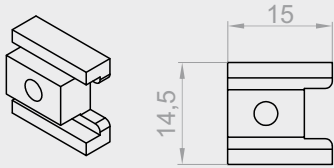
**NPD-070**

Division of the mosquito's net

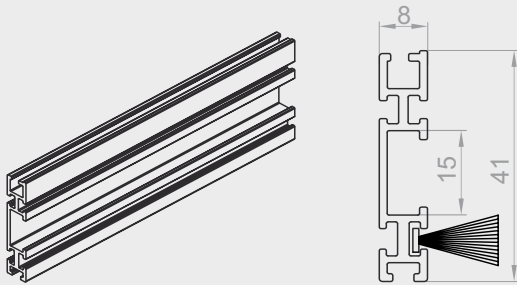


**M-RN-050**

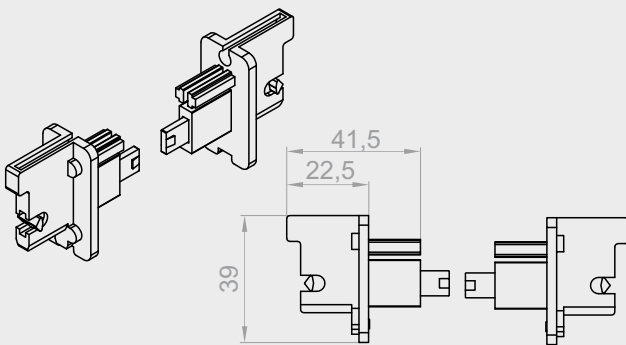
Latch of the mosquito's net cassette



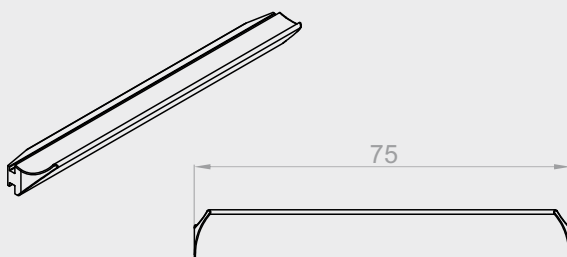
**M-RN-060**  
Latch blockade



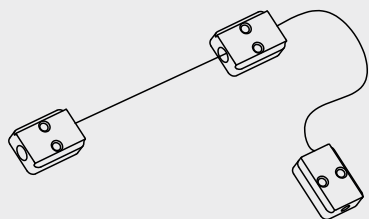
**LDM 41x8**  
Bottom lath of the mosquito's net with  
seal SP-5,5X25 G W1, mounted from the front



**MZW-040 L/P**  
End caps of the bottom lath with klik-klak blockade  
in mosquito's net

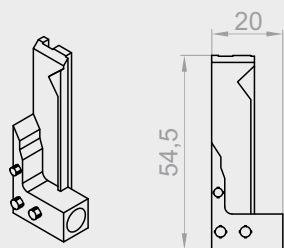


**M-RW-080**  
Handle of the bottom lath of the mosquito's net



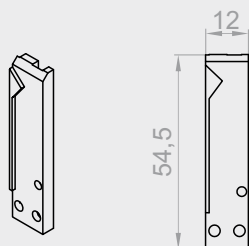
**M-RW-070**

Cord handle of the mosquito'net



**M-RN-040**

Latch blockade klik-klak of the PVC guide (right)



**M-RN-030**

Latch blockade klik-klak of the pcv guide (left)

Sets of TP1000K system mosquito net components:

**MKN-070** - for box 180, spring 240

**MKN-110** - for box 180, spring 260

**MKN-150** - for box 180, spring 310

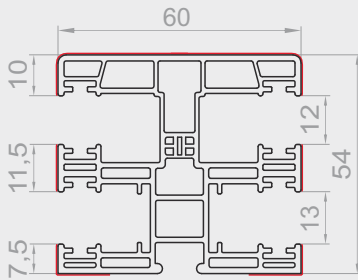
**MKN-030** - for box 180, spring 350

**MKN-051** - for box 220, 250, spring 240

**MKN-091** - for box 220, 250, spring 260

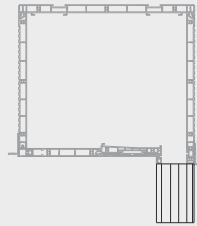
**MKN-131** - for box 220, 250, spring 310

**MKN-011** - for box 220, 250, spring 350



**NPR-010**

Double PVC guide for mosquito's net

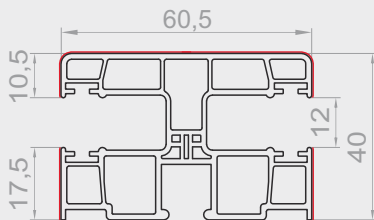


Max.  
6m



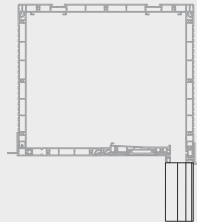
PVC

1m  
0,99kg



**NPR-020**

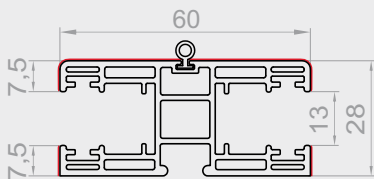
Double PVC guide



Max.  
6m

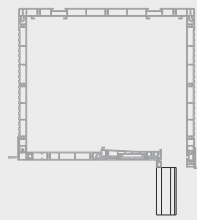
PVC

1m  
0,65kg



**NPR-030**

Division PVC guide for mosquito's net with seal KA-44 B

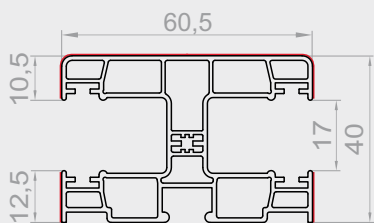


Max.  
6m



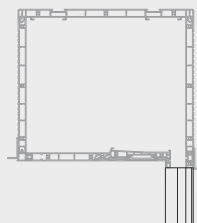
PVC

1m  
0,58kg



**RK-18 M**

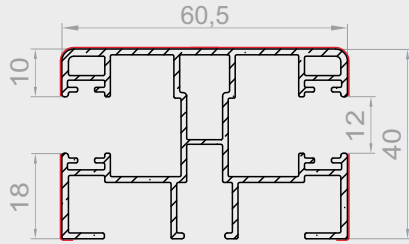
PCV guide for profile PA 52/ PCV 52



Max.  
6m

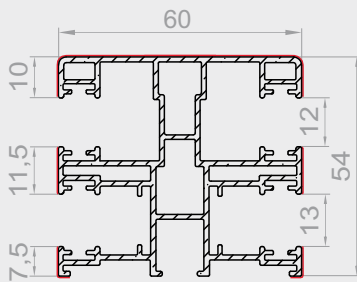
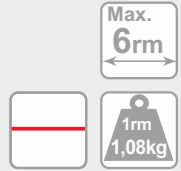
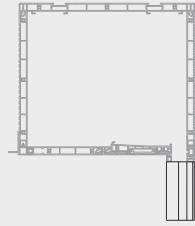
PVC

1m  
0,67kg



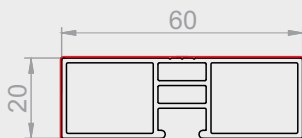
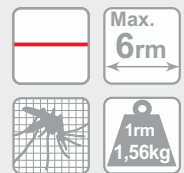
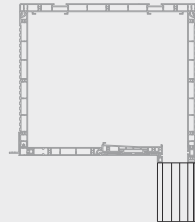
### **NPR-040**

ALU double guide



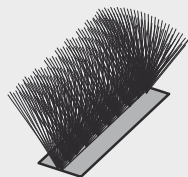
### **NPR-050**

ALU double guide for mosquito's net



### **DP-PCV-20**

60x20 guide spacer.



### **SP-7X6 4P**

Brush seal for guides

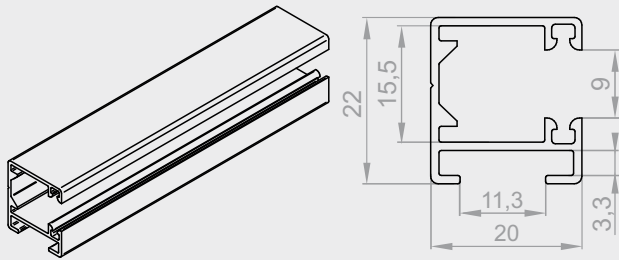
### **SP-7x9-3P1M-VR**

Brush seal for mosquito's net ALU guide

### **SP-7,5x9-3P1M-VR**

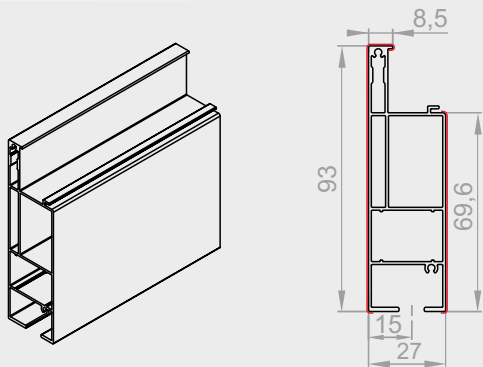
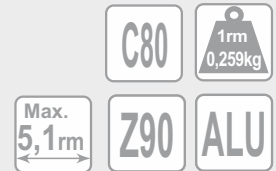
Brush seal for mosquito's net PVC guide





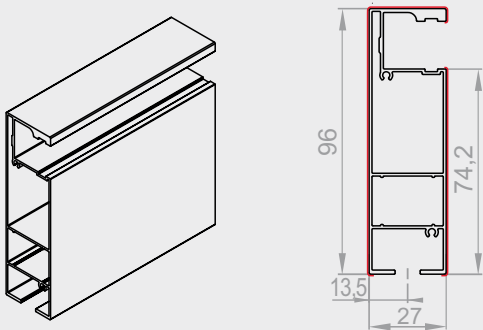
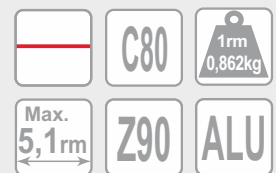
### F-PP-20

External blind single guide.



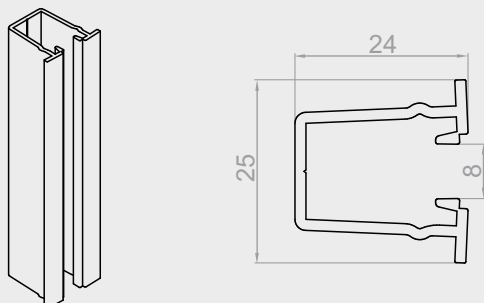
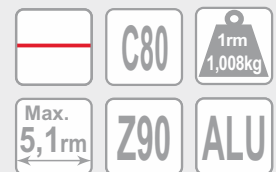
### F-FBR-010

Guide adapter for external blind.



### F-FBR-030

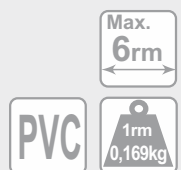
Guide for external blind for flush-mounted installation.

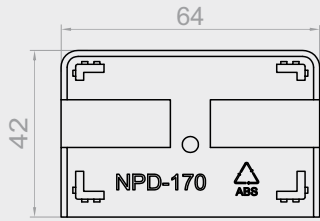


### F-RSC-340-XX

Guide insert for external blind.

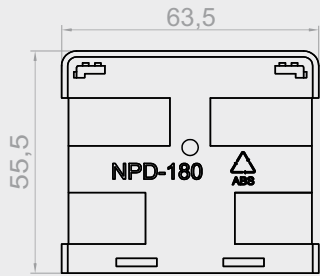
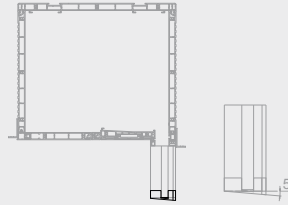
Available in colors (XX): 02 - white, 23 - anthracite.





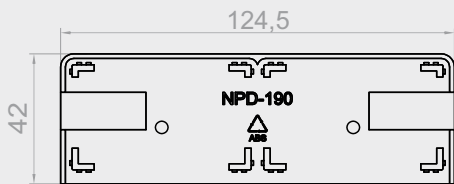
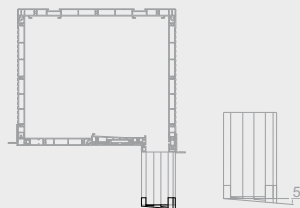
**NPD-170**

Bottom plug for double guide



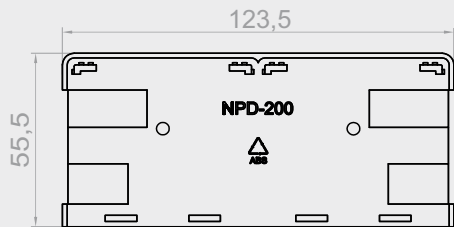
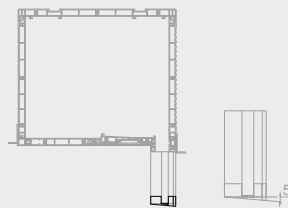
**NPD-180**

Bottom plug for guide with mosquito net



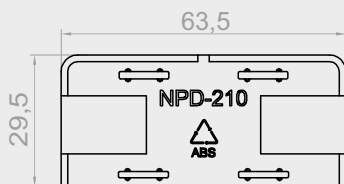
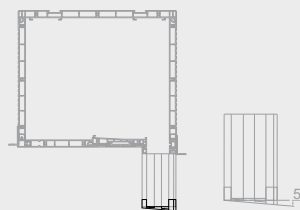
**NPD-190**

Bottom plug for 2 x double guide



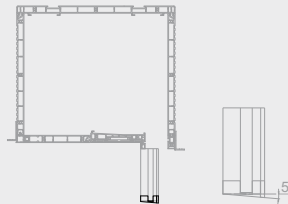
**NPD-200**

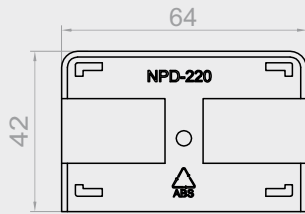
Bottom plug for guide 2 x mosquito net



**NPD-210**

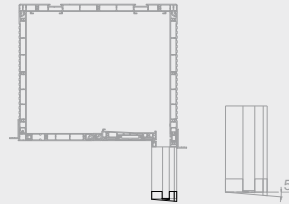
Bottom plug for mosquito net division guide





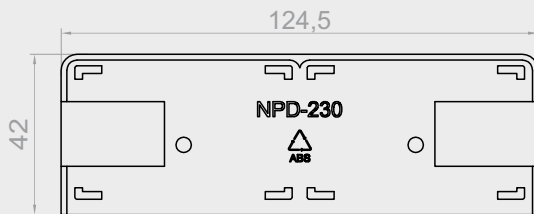
### NPD-220

Bottom plug for RK- 18 M guide



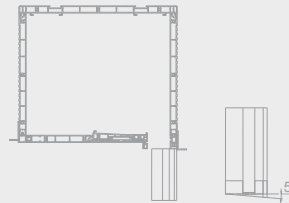
ABS

1 pcs  
0,01kg



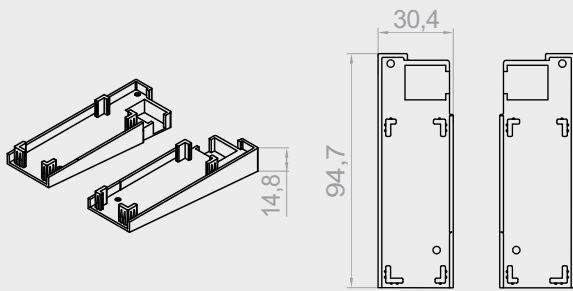
### NPD-230

Bottom plug for RK-18 M



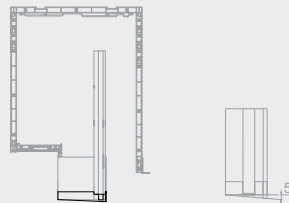
ABS

1 pcs  
0,02kg



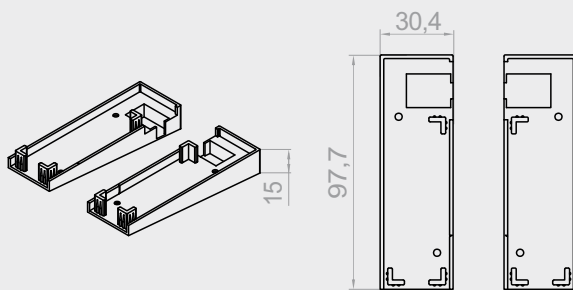
### F-FBD-010

Bottom plug of the F-FBR-010 guide adapter.



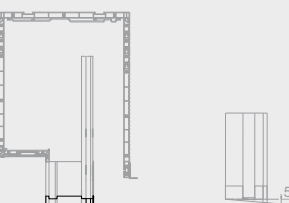
ABS

1 pcs  
0,008kg



### F-FBD-030

Bottom plug of the guide for flush-mounted installation F-FBR-030.

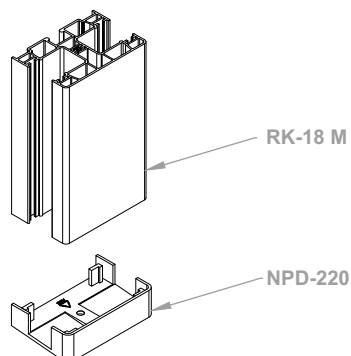


ABS

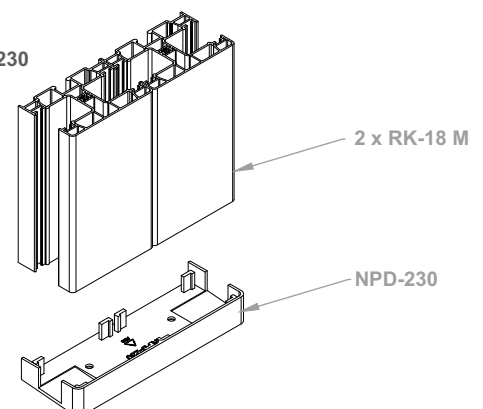
1 pcs  
0,008kg

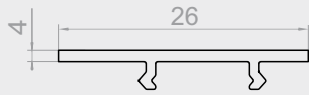
View of the bottom end caps with guides:

RK-18 M + NPD-220



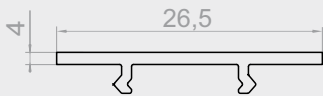
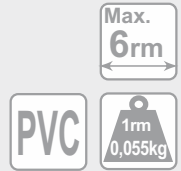
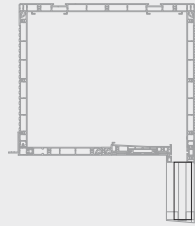
2xRK-18 M + NPD-230





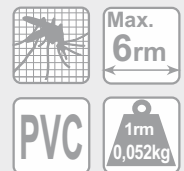
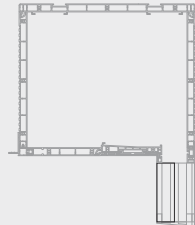
**NPD-090**

Plug for profile's channel in guide

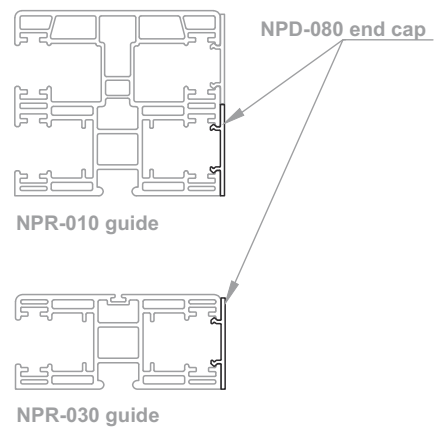
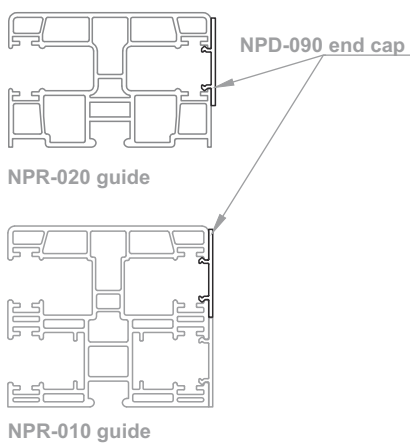


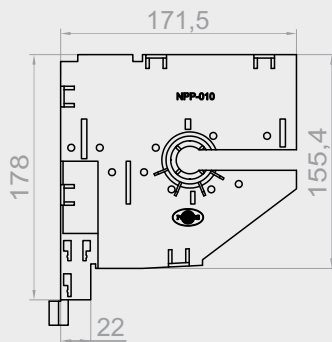
**NPD-080**

Plug for mosquito net channel in guide



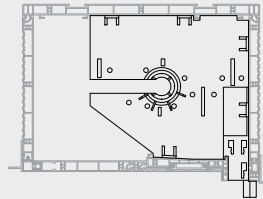
View of guides with the appropriate end caps for guide channels.





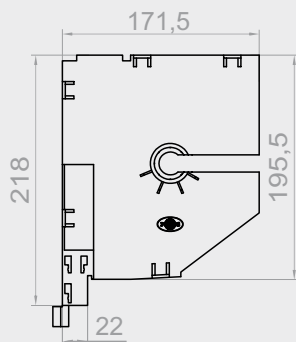
### NPP-010

Division of the box 180 for double guide



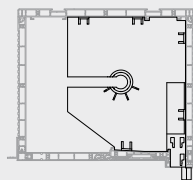
BOX  
180

1pcs  
0,12kg



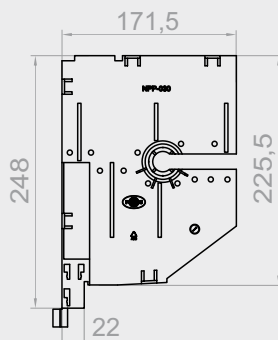
### NPP-020

Division of the box 220 for double guide



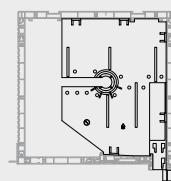
BOX  
220

1pcs  
0,15kg



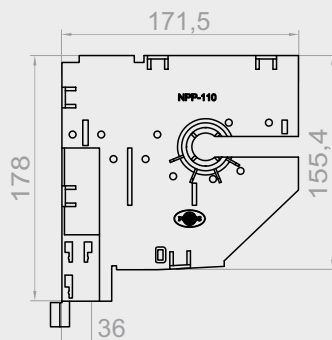
### NPP-030

Division of the box 250 for double guide



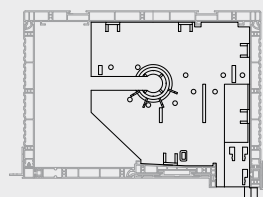
BOX  
250

1pcs  
0,17kg



### NPP-110

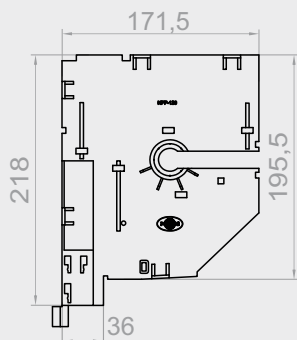
Division of the box 180 with mosquito net  
for double guide



BOX  
180

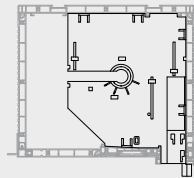


1pcs  
0,13kg



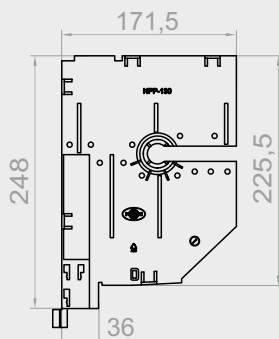
### **NPP-120**

Division of the box 220 with mosquito net for double guide



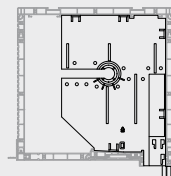
BOX  
220

1pcs  
0,15kg



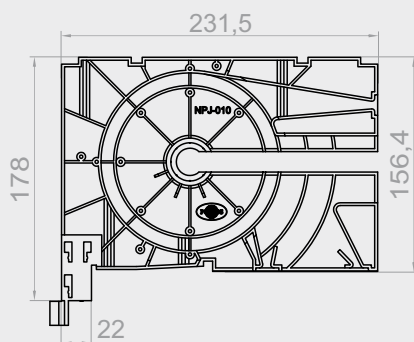
### **NPP-130**

Division of the box 250 with mosquito net for double guide



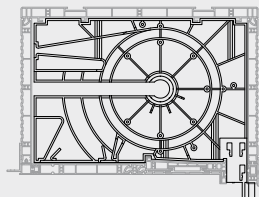
BOX  
250

1pcs  
0,16kg



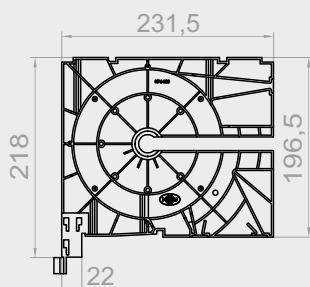
### **NPJ-010**

Division of the box 180 for two single guides



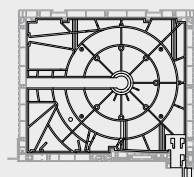
BOX  
180

1pcs  
0,38kg



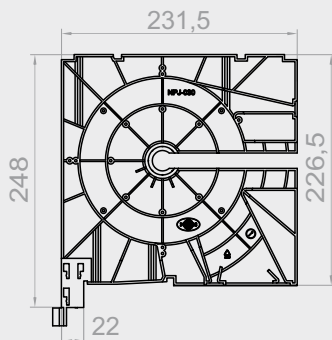
### **NPJ-020**

Division of the box 220 for two single guides



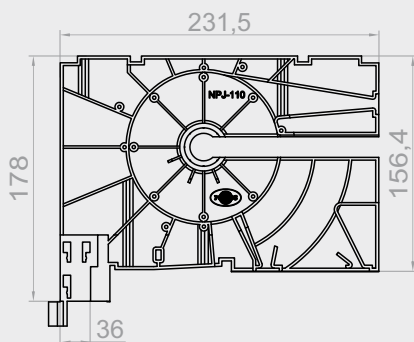
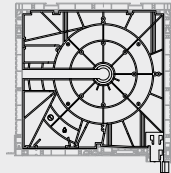
BOX  
220

1pcs  
0,41kg



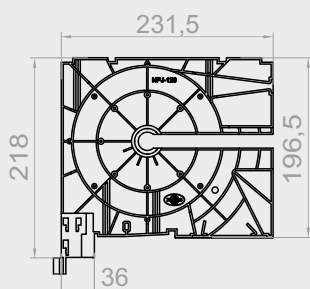
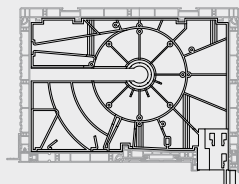
### NPJ-030

Division of the box 250 for two single guides



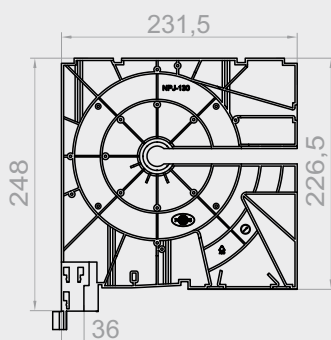
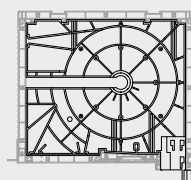
### NPJ-110

Division of the box 180 with mosquito net for two single guides



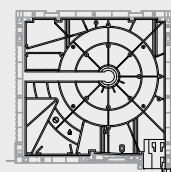
### NPJ-120

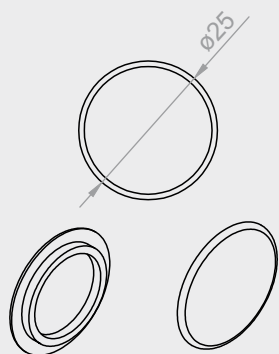
Division of the box 220 with mosquito net for two single guides



### NPJ-130

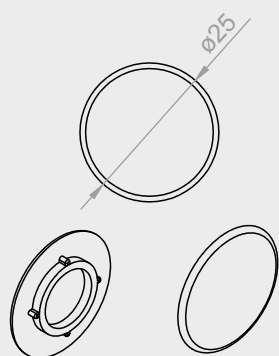
Division of the box 250 with mosquito net for two single guides





**NPD-240 L**

Socket plug for npj division- part left

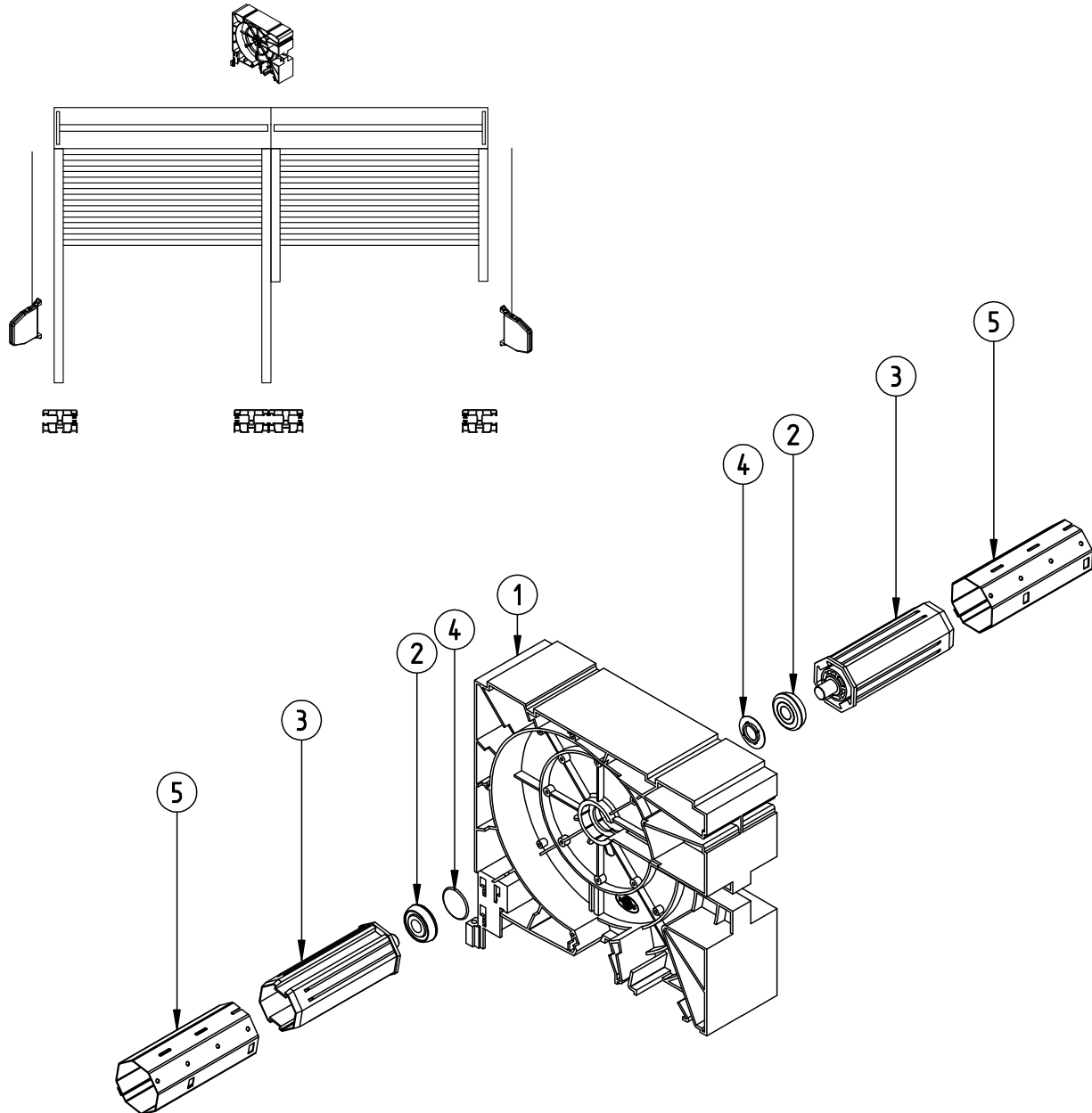


**NPD-240 P**

Socket plug for npj division- part right

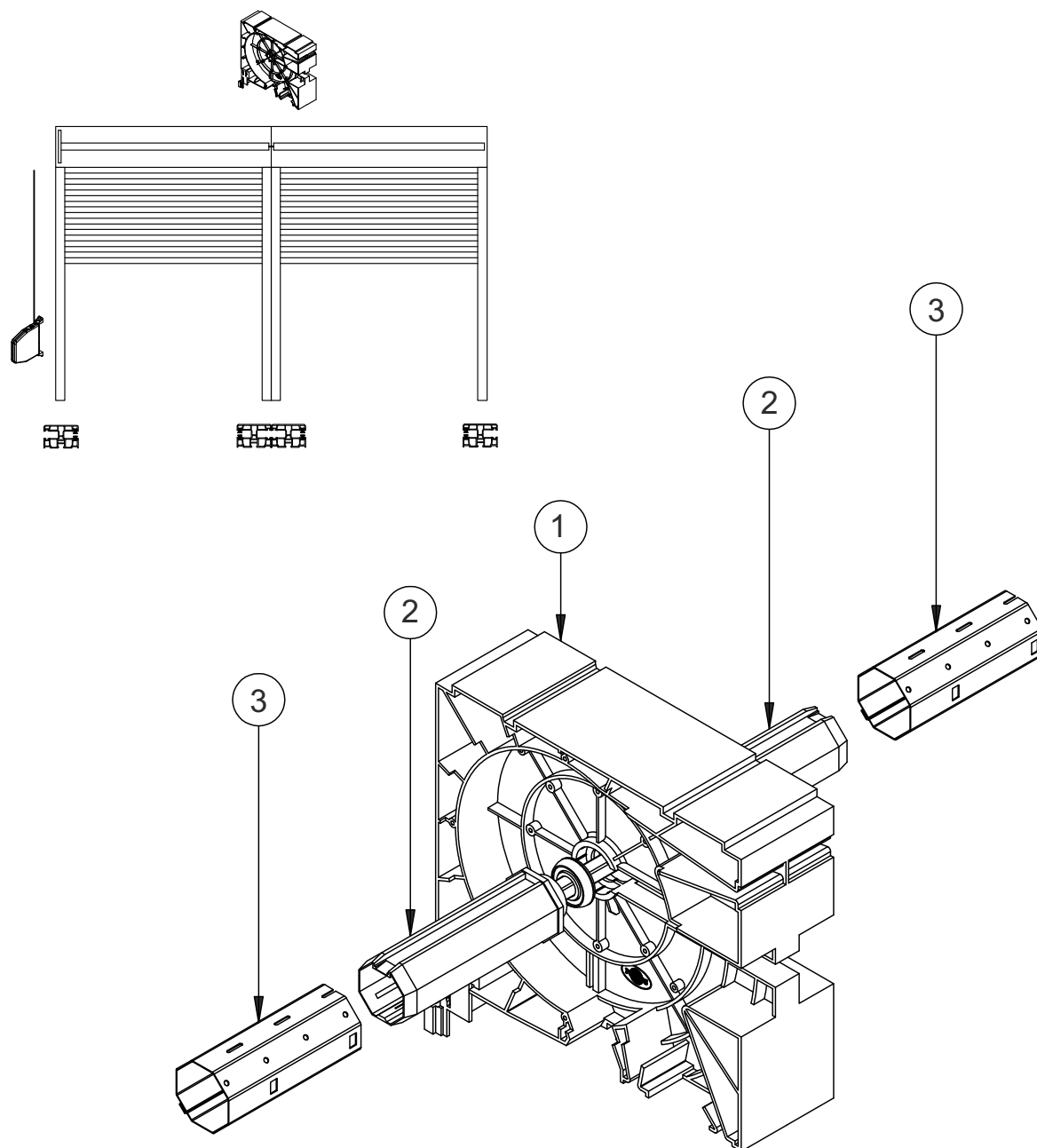


Division for two single guides in shutter box with independent motor.



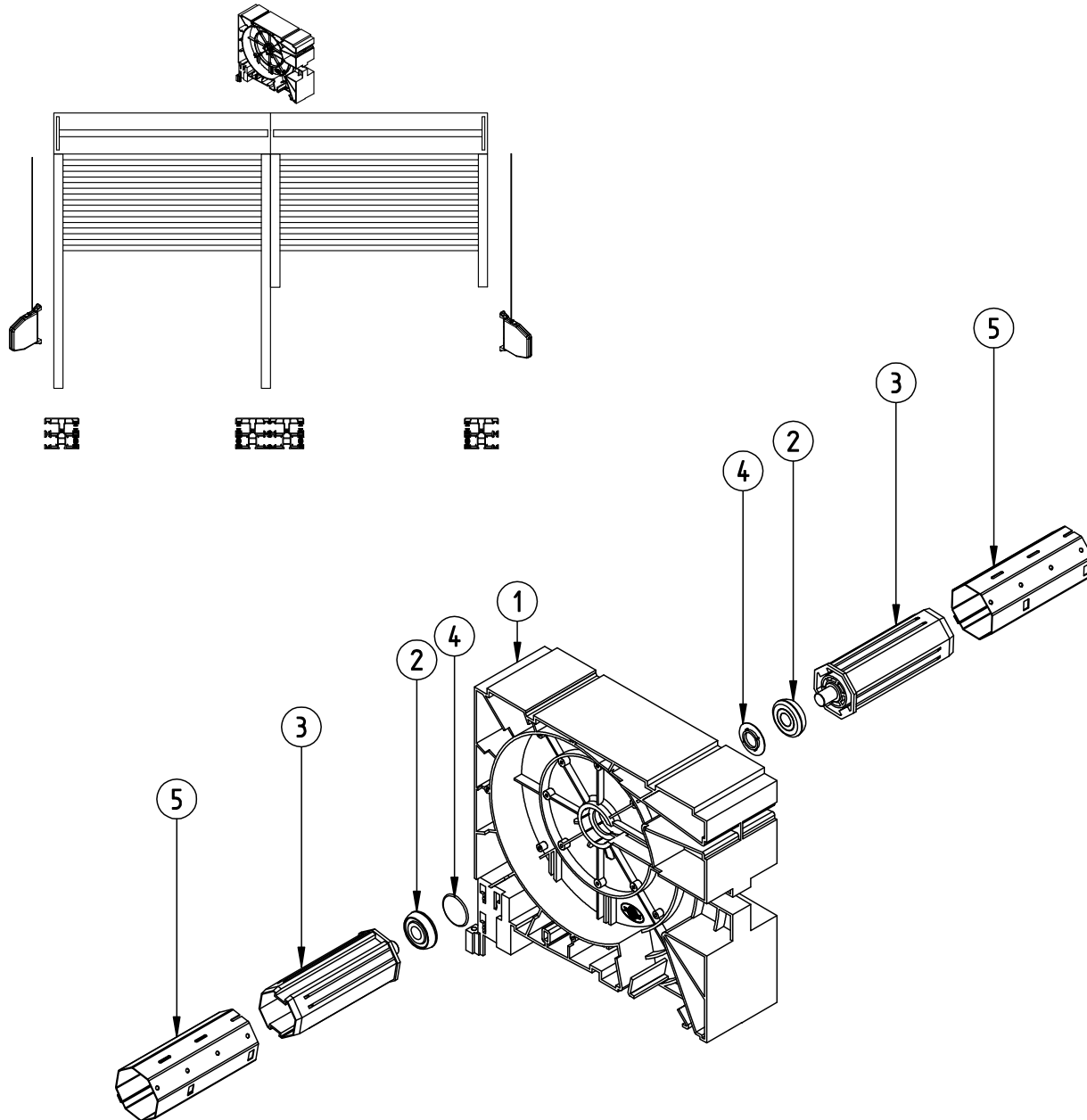
- |                    |   |
|--------------------|---|
| 1. NPJ-010/020/030 | Division of the box 180/220/250 for two single guides |
| 2. LO 28/10        | 28/10 bearing for PVC shutter boxes for pipe 40       |
| LO 28/12 PCV       | 28/10 bearing for PVC shutter boxes for pipe 60       |
| 3. OBS-40-PVC      | Mounting cap fi-40 for PVC shutter box                |
| OBS-60-PVC         | Mounting cap fi-60 for PVC shutter box                |
| 4. NPD-240 L/P.    | Socket plug for NPJ division for tube 60              |
| 5. SW 40           | Octagonal pipe 40                                     |
| SW 60              | Octagonal pipe 60                                     |

Division for two single guides in shutter box with dependent motor.



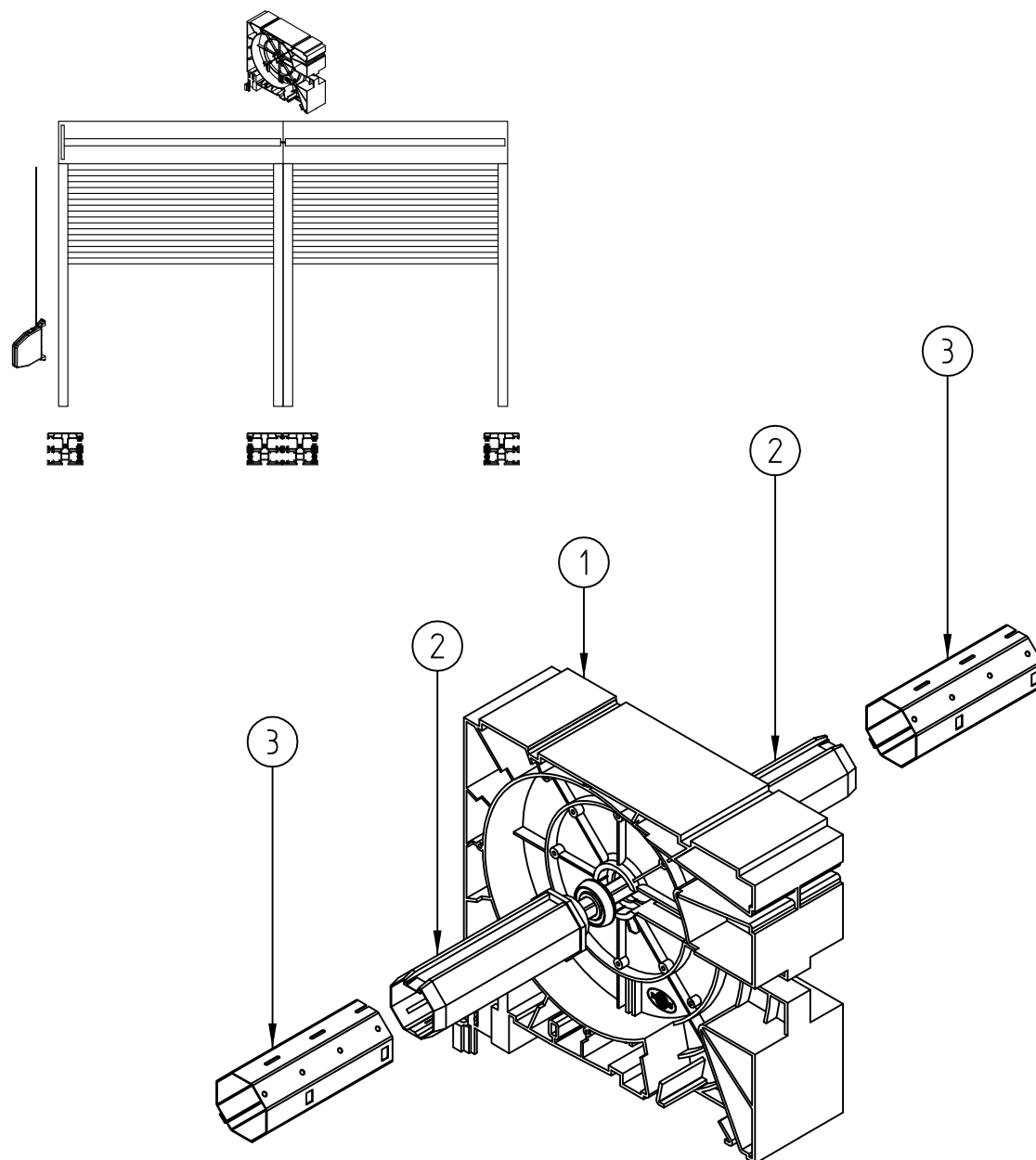
- |                    |   |
|--------------------|---|
| 1. NPJ-010/020/030 | Division of the shutter box 180/220/250 for two single guides |
| 2. RKZ 34          | Round pin for pipes fi-40                                     |
| RKZ 35             | Round pin for pipes fi-60                                     |
| 3. SW 40           | Octagonal pipe 40   |
| SW 60              | Octagonal pipe 60   |

Division for two single guides in shutter box with mosquito net and independent motor



- |                    |   |
|--------------------|---|
| 1. NPJ-110/120/130 | Division of the shutter box 180/220/250 with mosquito-net for two single guides |
| 2. LO 28/10        | Bearing lo 28/10 for PVC shutter boxes  |
| LO 28/12 PCV       | Bearing lo 28/12 for PVC shutter boxes  |
| 3. OBS-40-PVC      | Mounting cap fi-40 for PVC shutter box  |
| OBS-60-PVC         | Mounting cap fi-60 for PVC shutter box  |
| 4. NPD-240 L/P.    | Socket plug for npj division for tube 60  |
| 5. SW 40           | Octagonal pipe 40   |
| SW 60              | Octagonal pipe 60   |

Division for the two single guides with mosquito net with motor



1. NPJ-010/020/030 Division for mosquito-net shutter box 180/220/250 for two single guides

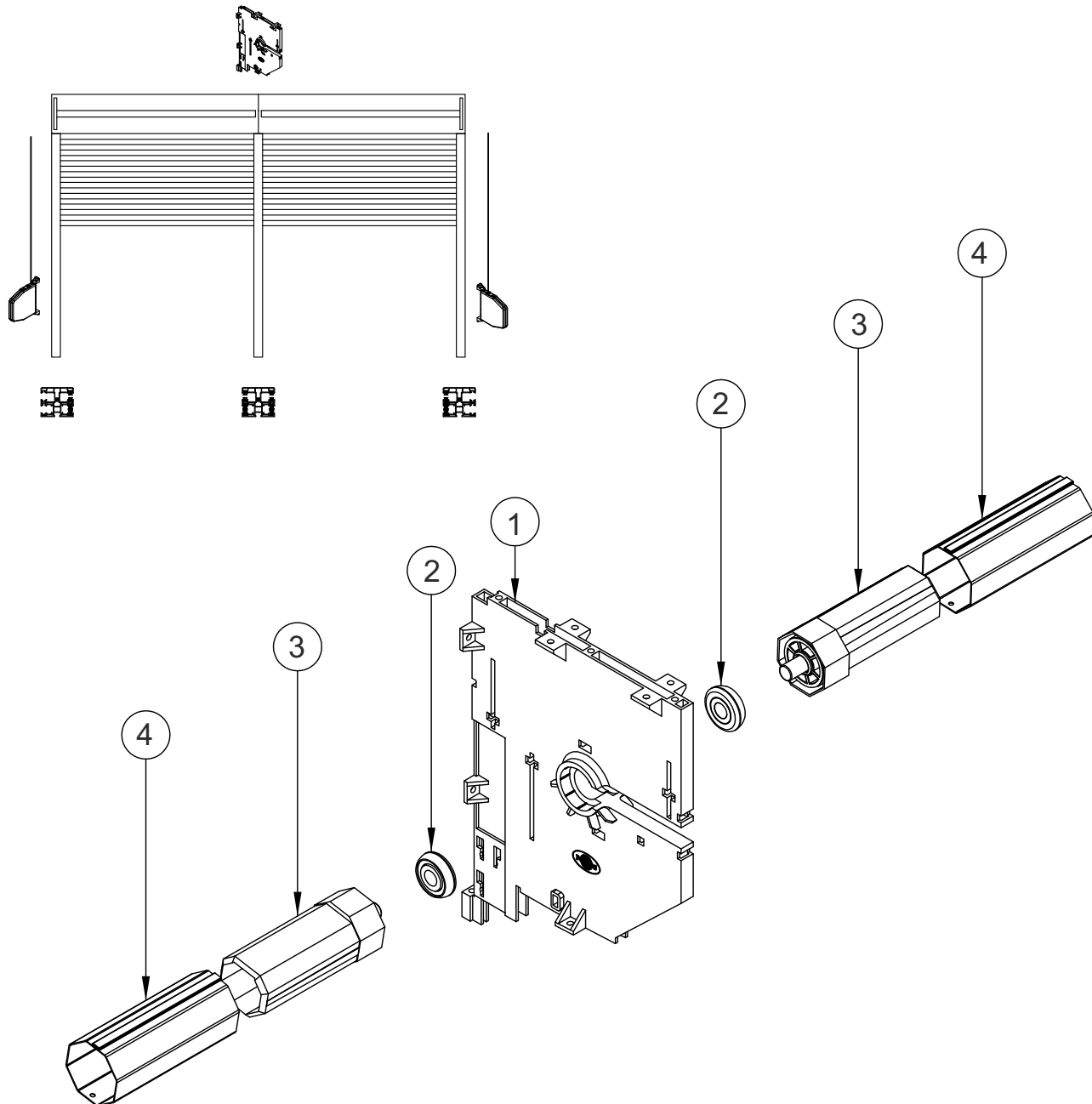
2. RKZ 34 Round pin for pipes fi-40

RKZ 35 Round pin for pipes fi-60

3. SW 40 Octagonal pipe 40

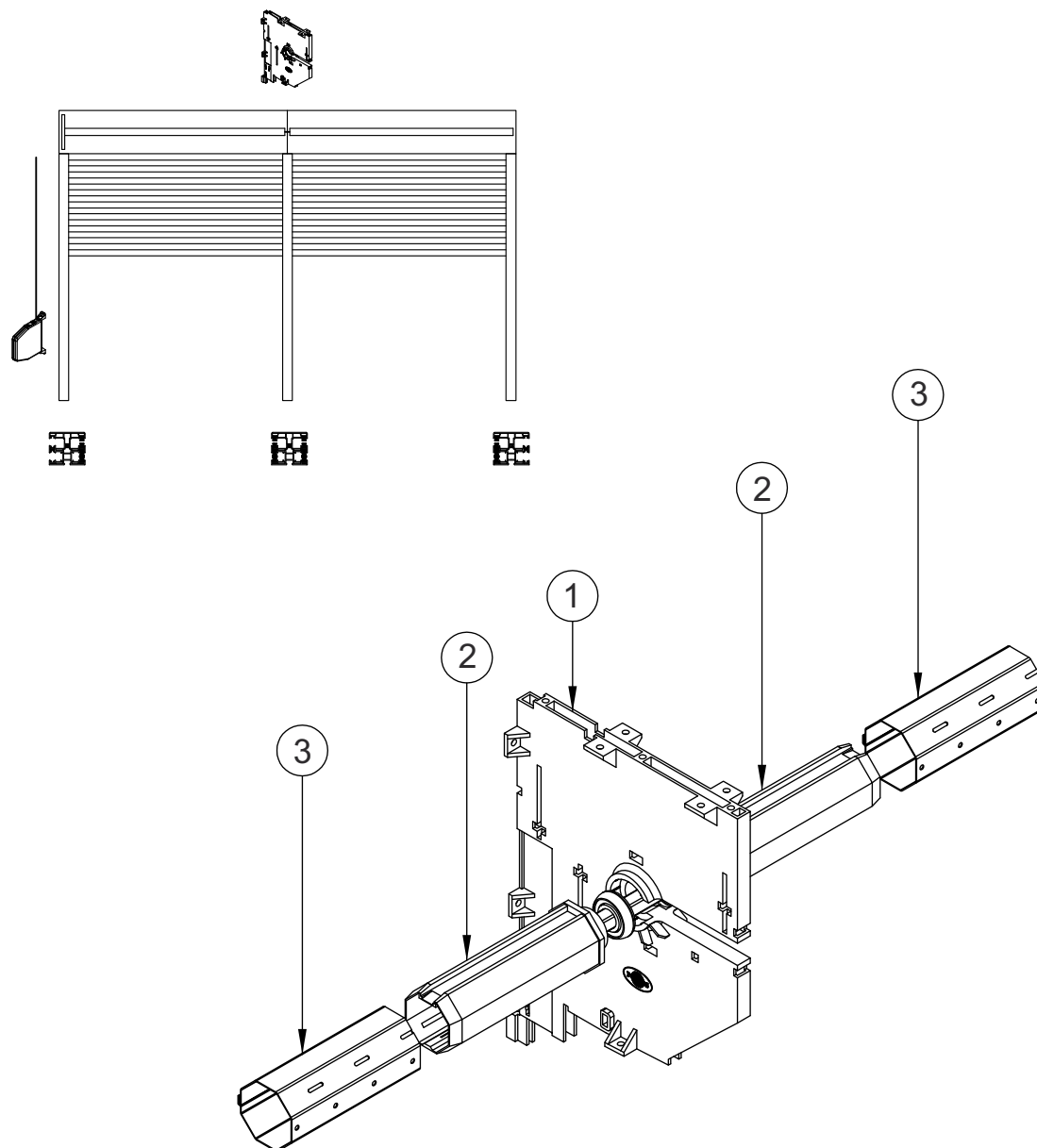
SW 60 Octagonal pipe 60

Division for the double guide with mosquito net with independent motor



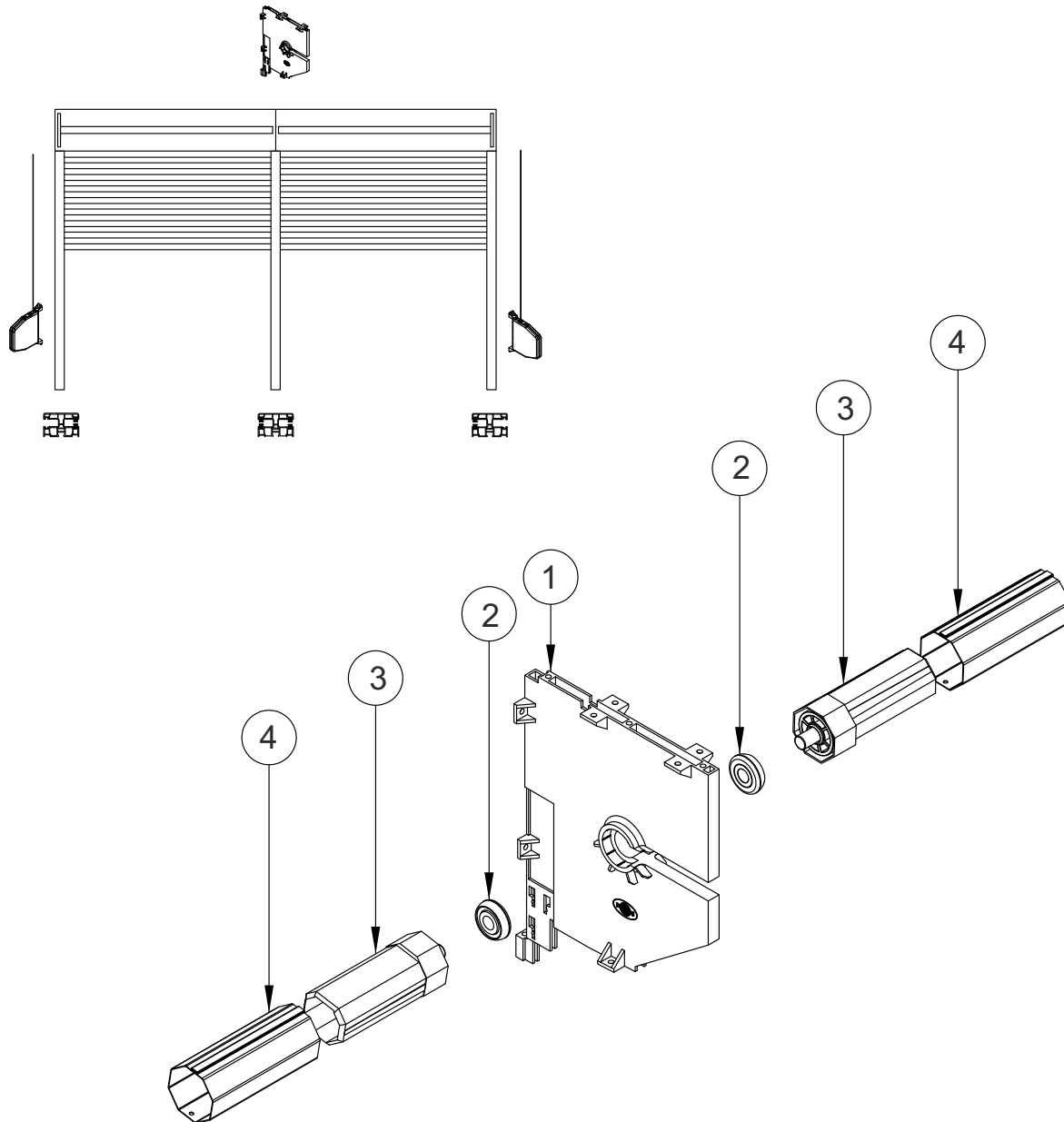
- |                    |  |
|--------------------|--|
| 1. NPP-110/120/130 | Division for single guides with mosquito net |
| 2. LO 28/10        | Bearing lo 28/10 for PVC shutter boxes       |
| LO 28/12 PCV       | Bearing lo 28/12 for PVC shutter boxes       |
| 3. OBS-40-PVC      | Mounting cap fi-40 for PVC shutter box       |
| OBS-60-PVC         | Mounting cap fi-60 for PVC shutter box       |
| 4. SW 40           | Octagonal pipe 40                            |
| SW 60              | Octagonal pipe 60                            |

Division for the double guide with mosquito net with dependent motor



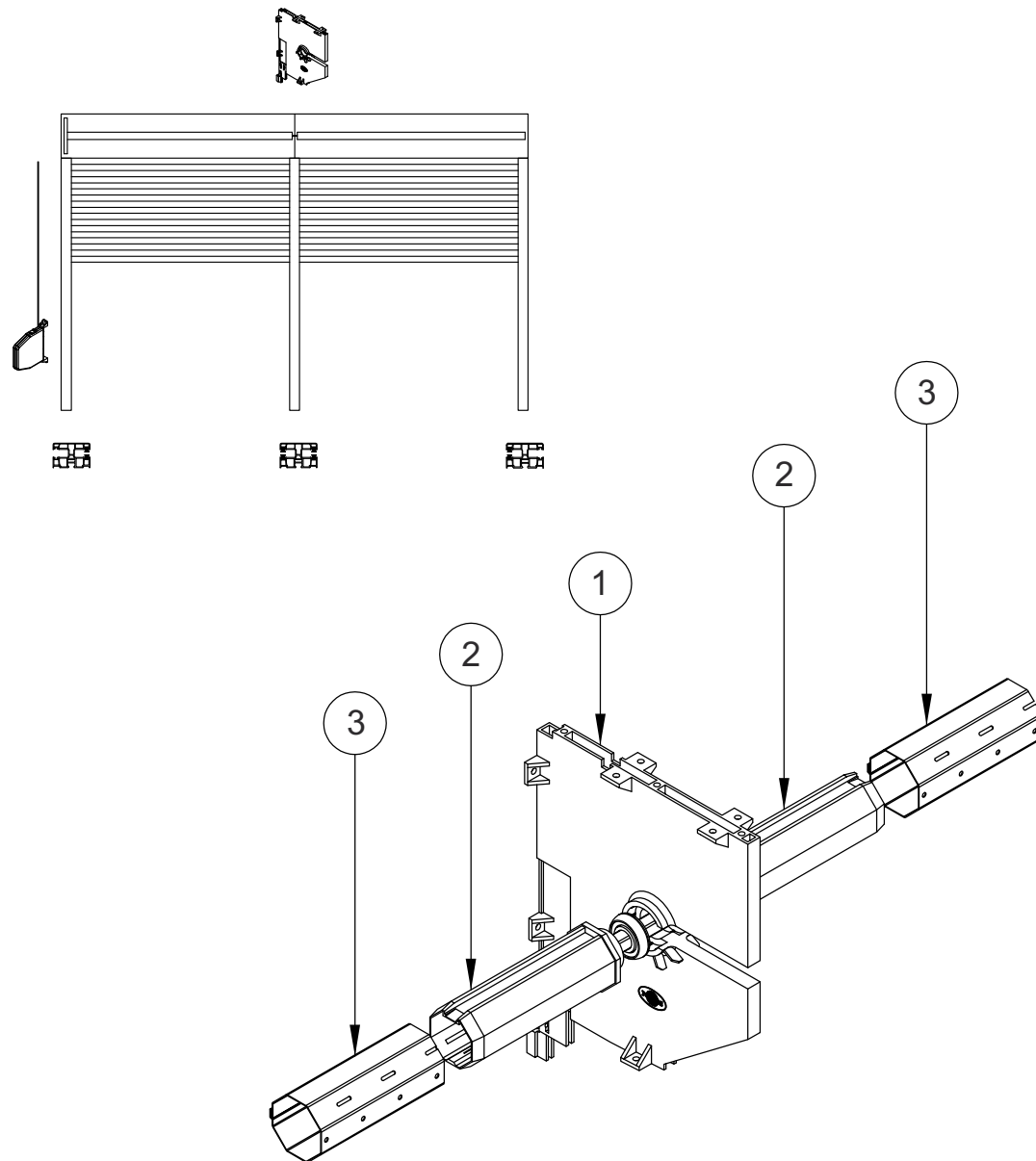
- |                    |  |
|--------------------|--|
| 1. NPP-110/120/130 | Division of the box 220 for double guide with mosquito net |
| 2. RKZ 34          | Round pin for pipes fi-40                                  |
| RKZ 35             | Round pin for pipes fi-60                                  |
| 3. SW 40           | Octagonal pipe 40  |
| SW 60              | Octagonal pipe 60  |

Division for double guide in roller shutter with independent motor



- |                    |  |
|--------------------|--|
| 1. NPP-010/020/030 | Division of the shutter box 220 for double guide |
| 2. LO 28/10        | Bearing lo 28/10 for PVC shutter boxes           |
| LO 28/12 PCV       | Bearing lo 28/12 for PVC shutter boxes           |
| 3. OBS-40-PVC      | Mounting cap fi-40 for PVC shutter box           |
| OBS-60-PVC         | Mounting cap fi-60 for PVC shutter box           |
| 4. SW 40           | Octagonal pipe 40                                |
| SW 60              | Octagonal pipe 60                                |

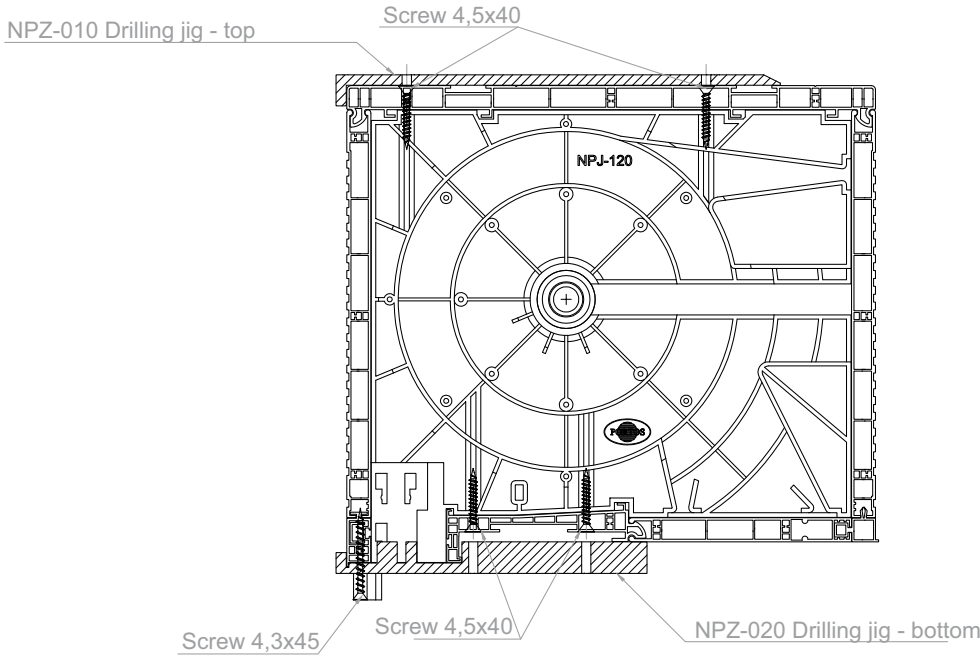
Division for the double guide in roller shutter with dependent motor



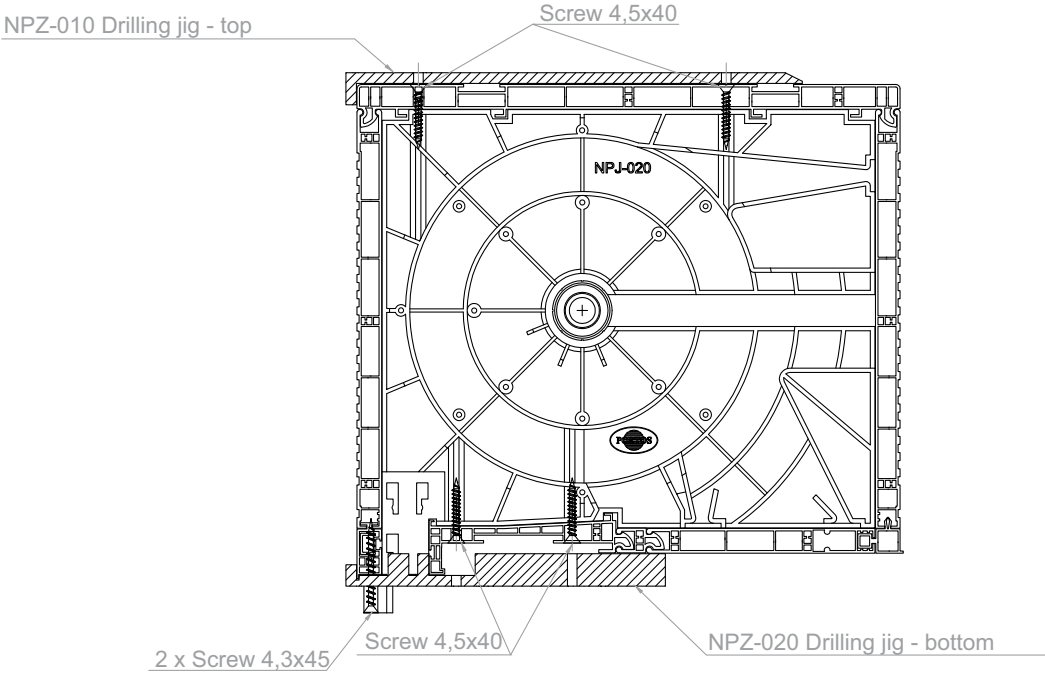
- |                    |  |
|--------------------|--|
| 1. NPP-010/020/030 | The division of the shutter box 220 for double guide |
| 2. RKZ 34          | Round pin for pipes fi-40                            |
| RKZ 35             | Round pin for pipes fi-60                            |
| 3. SW 40           | Octagonal pipe 40                                    |
| SW 60              | Octagonal pipe 60                                    |



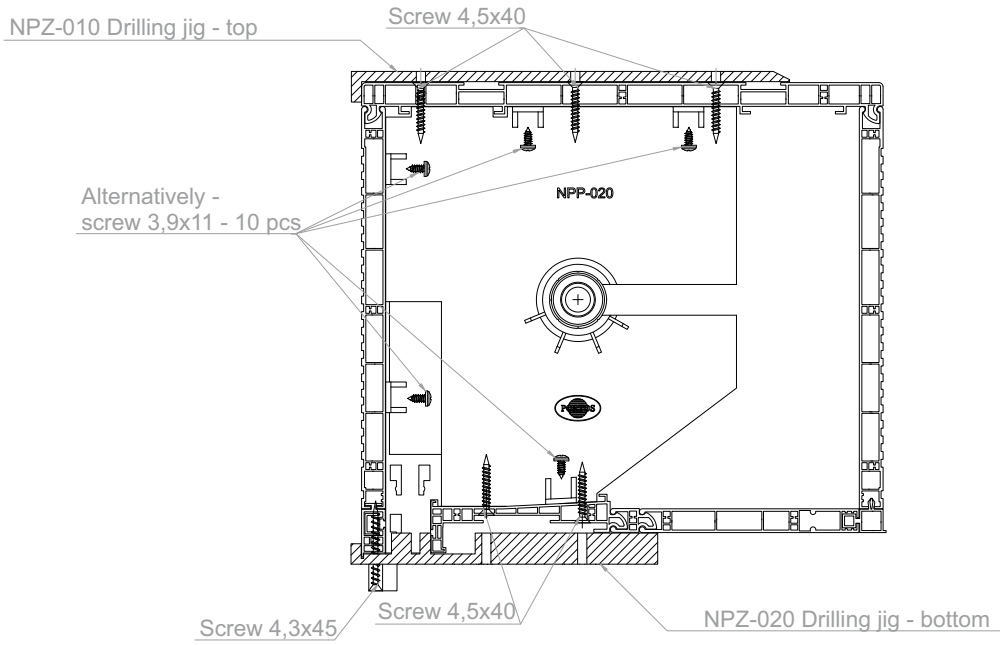
Assembly of the division NPJ-020



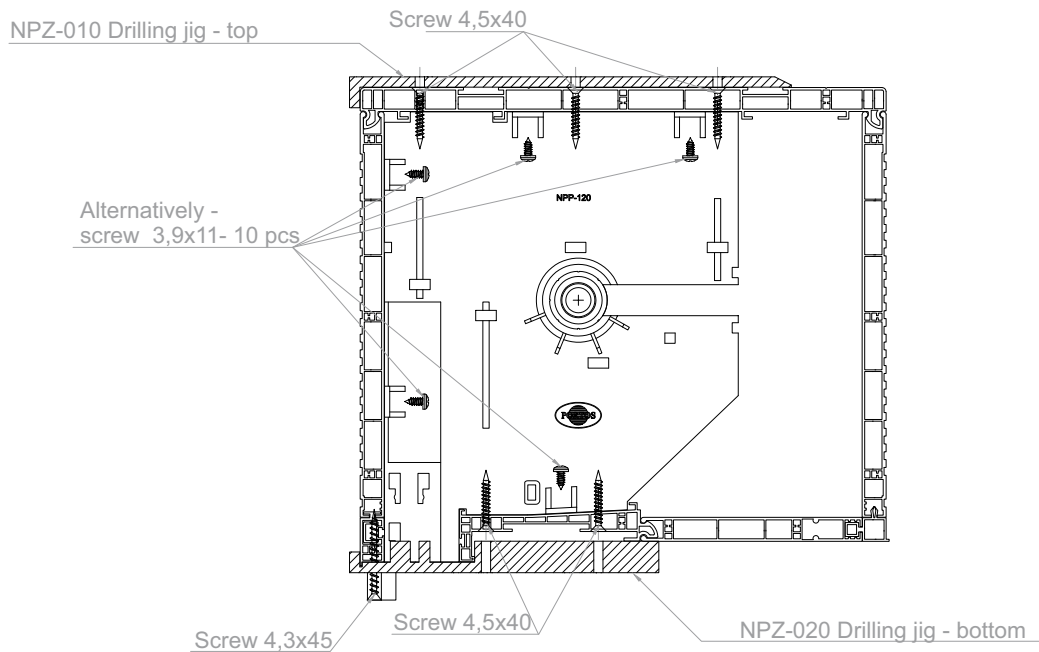
Assembly of the division NPJ-120



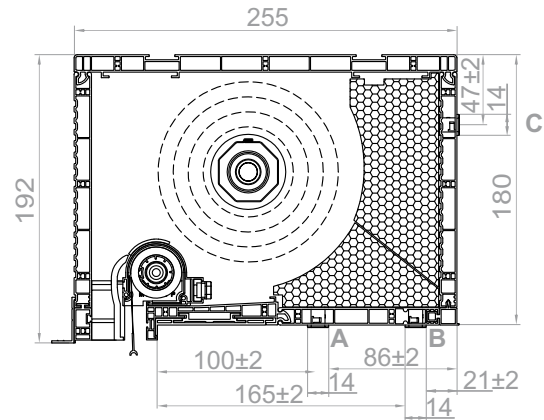
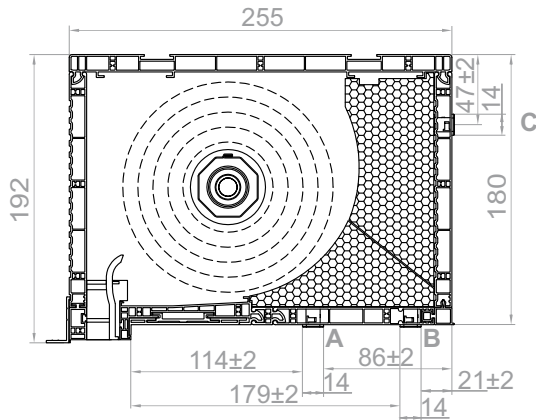
Assmebly of the division NPP-020



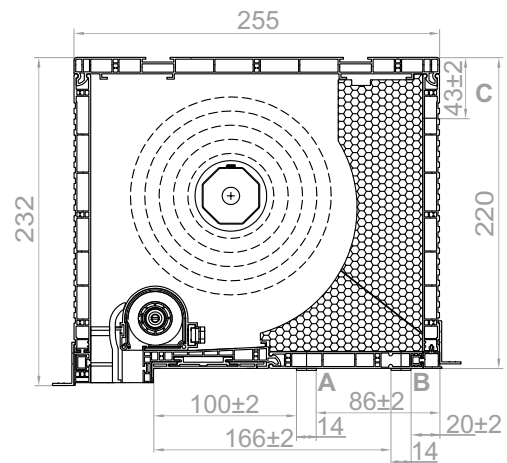
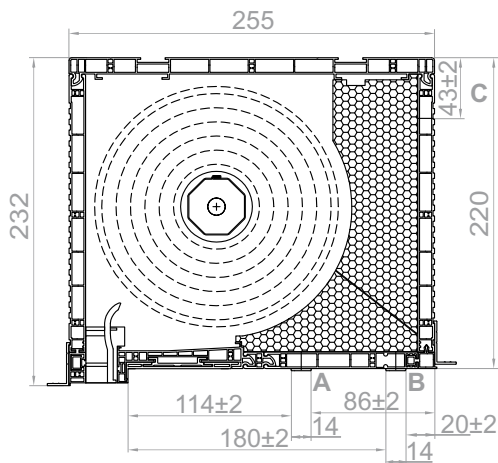
Assembly of the division NPP-120



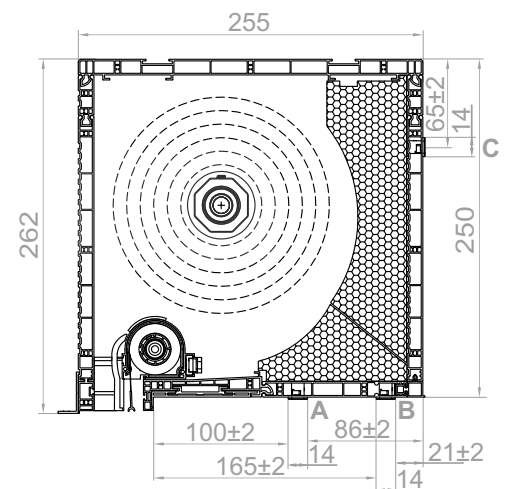
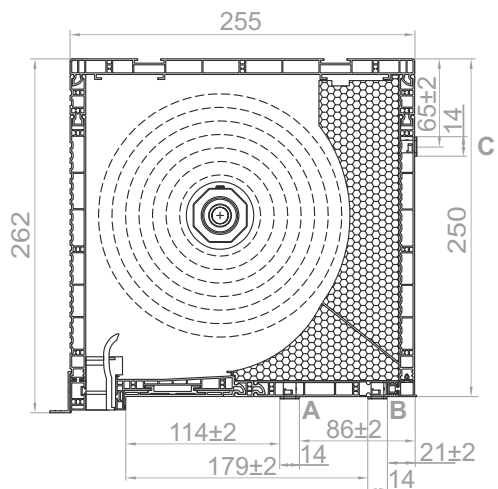
Entry of the tape- box 180



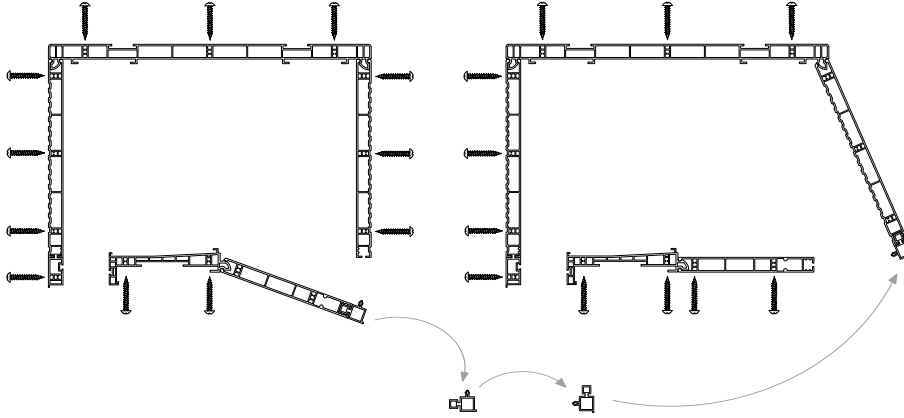
Entry of the tape- box 220



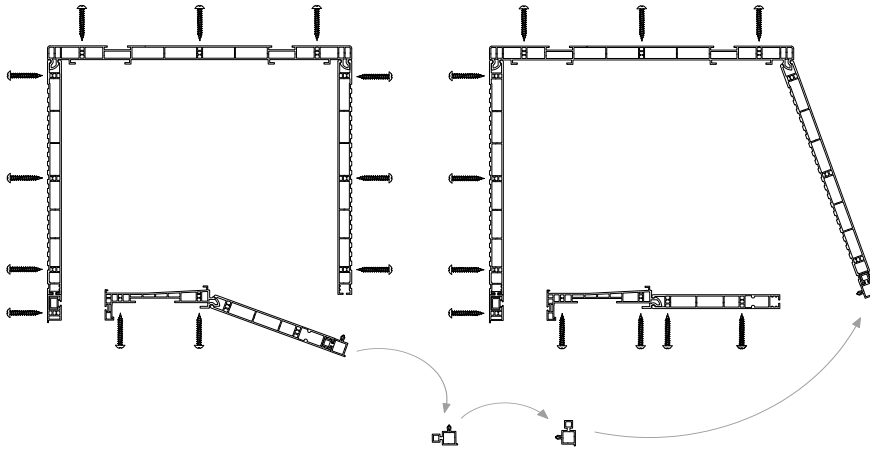
Entry of the tape- box 250



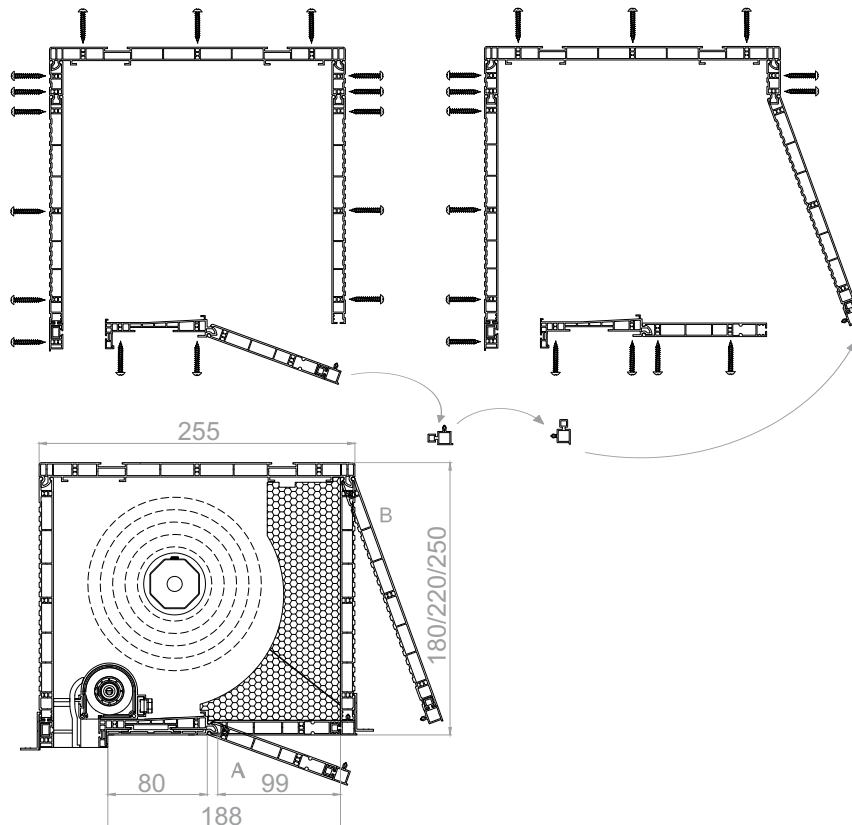
Revision hatches in box 180 with mosquito net



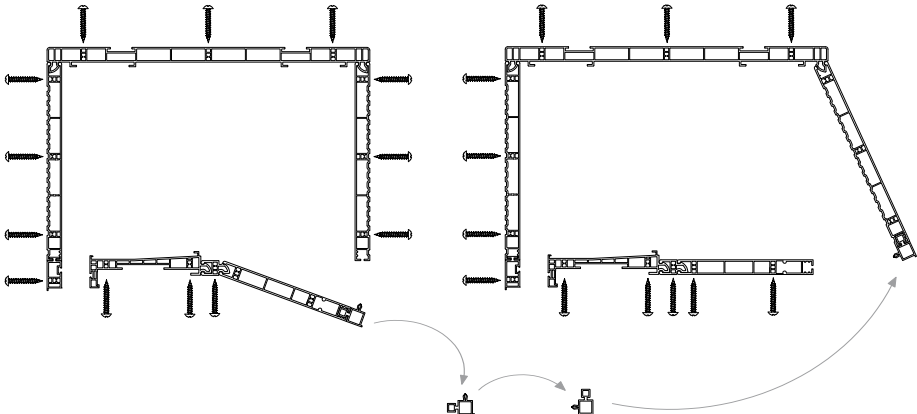
Revision hatches in box 220 with mosquito net



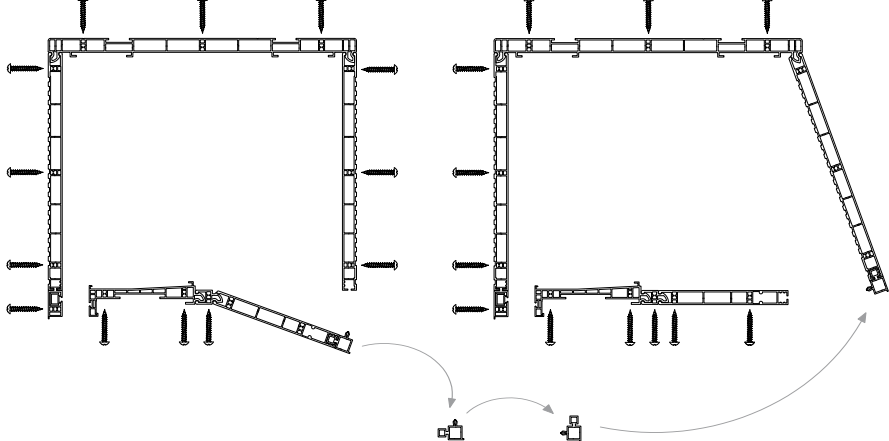
Revision hatches in box 250 with mosquito net



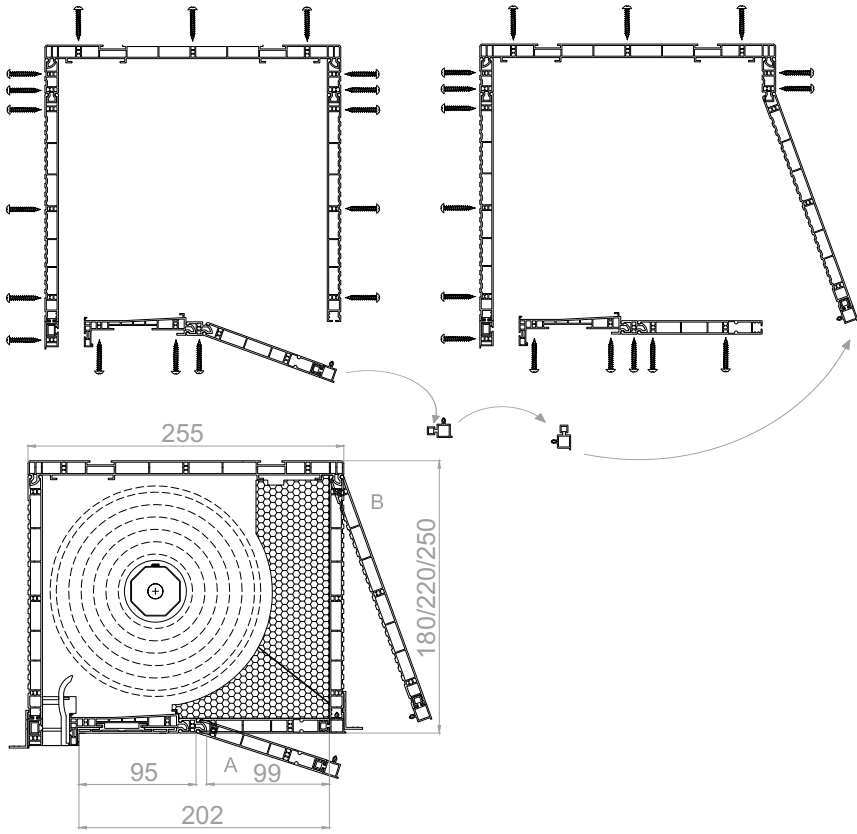
Revision hatches in box 180 without mosquito net



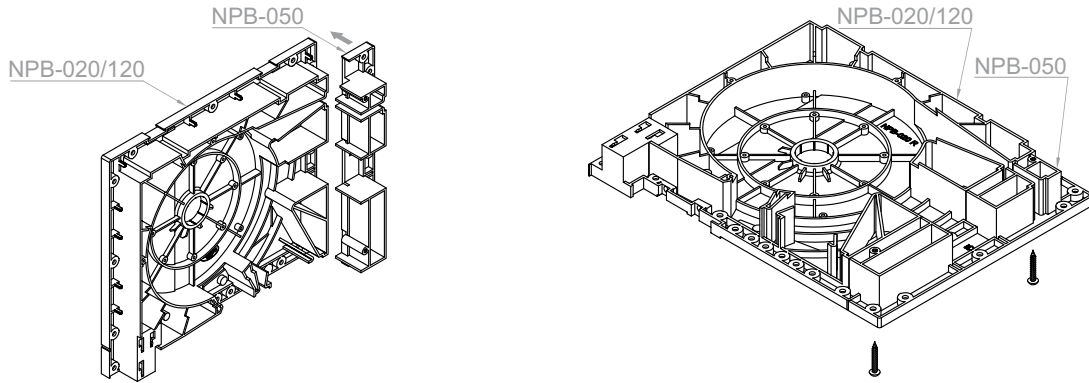
Revision hatches in box 220 without mosquito net



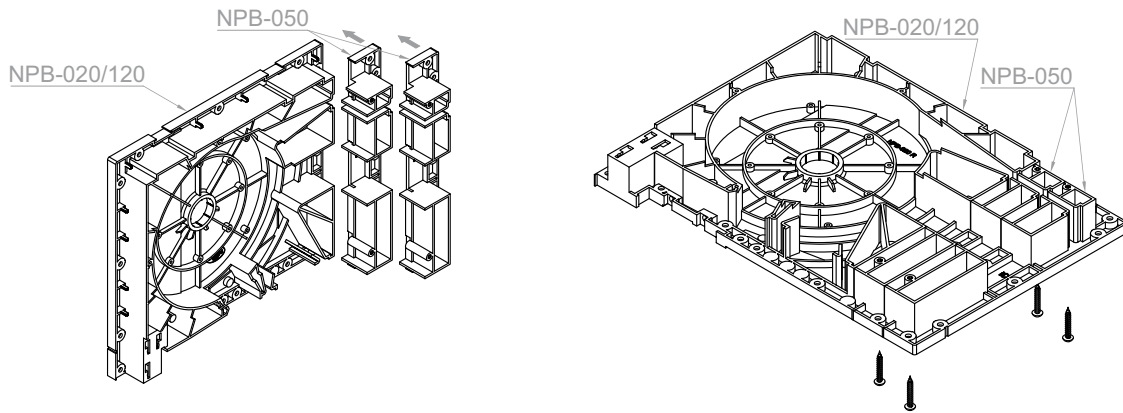
Revision hatches in box 250 without mosquito net



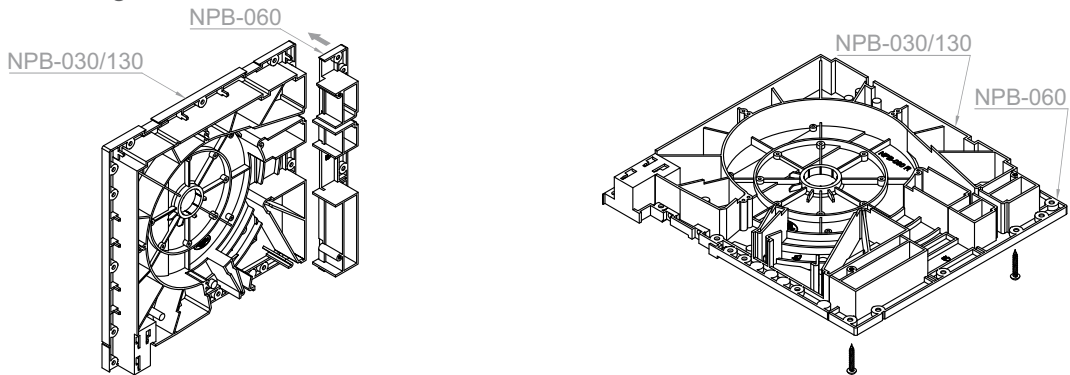
Installation of enlargement + 31 mm NPB-050 for BPB 020/120 side



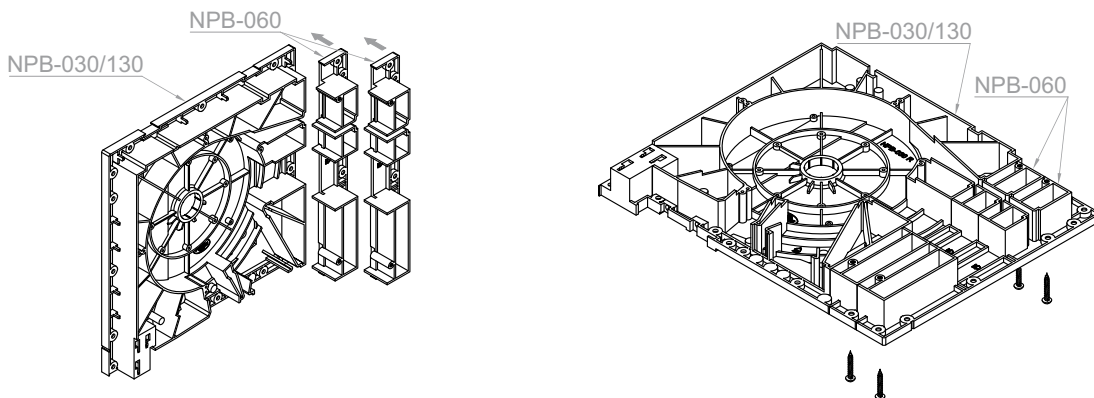
Installation of enlargement + 62 mm 2xNPB-050 for BPB 020/120 side



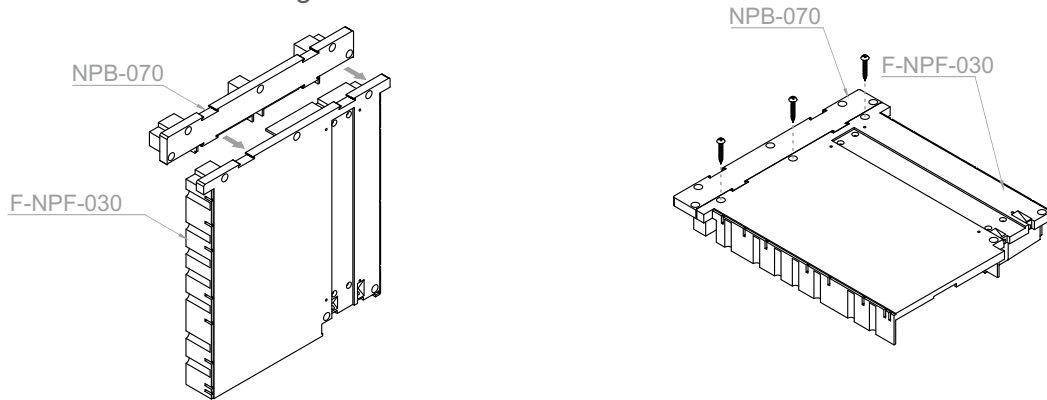
Installation of enlargement + 31 mm NPB-060 for BPB 030/130 side



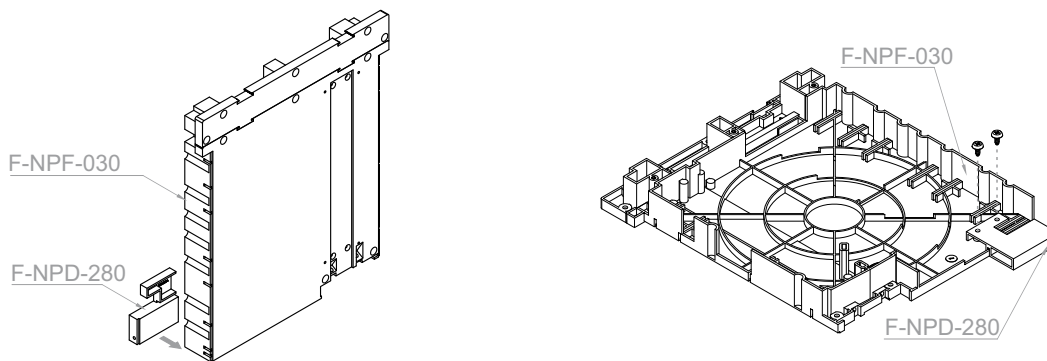
Installation of enlargement +62 mm 2xNPB-060 for BPB 030/130 side



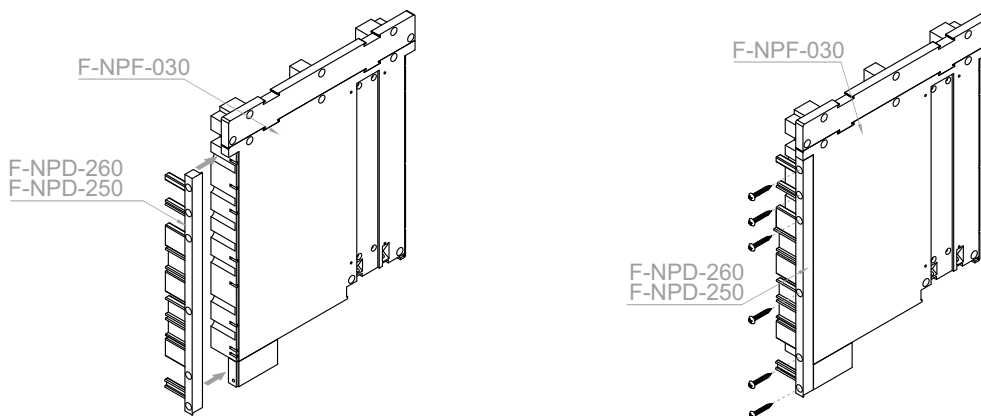
Installation of the NPB-070 raising to the F-NPF-030 side.



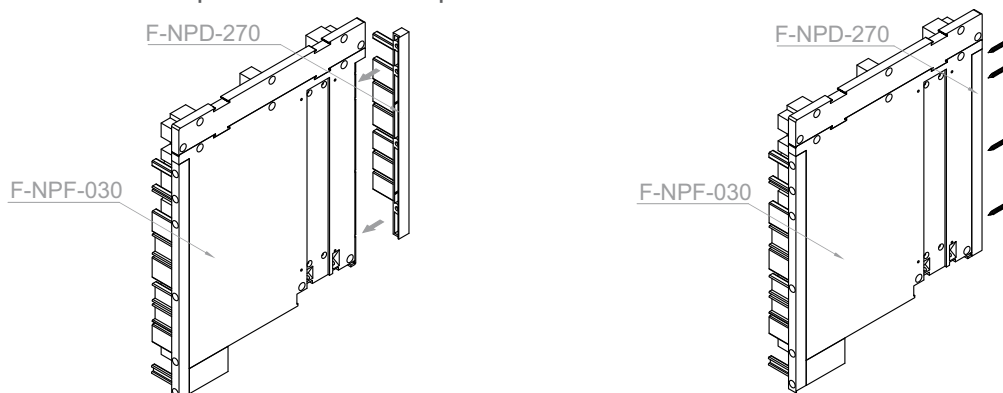
Installation of the insert lowering the F-NPD-280 side to the F-NPF-030 side.



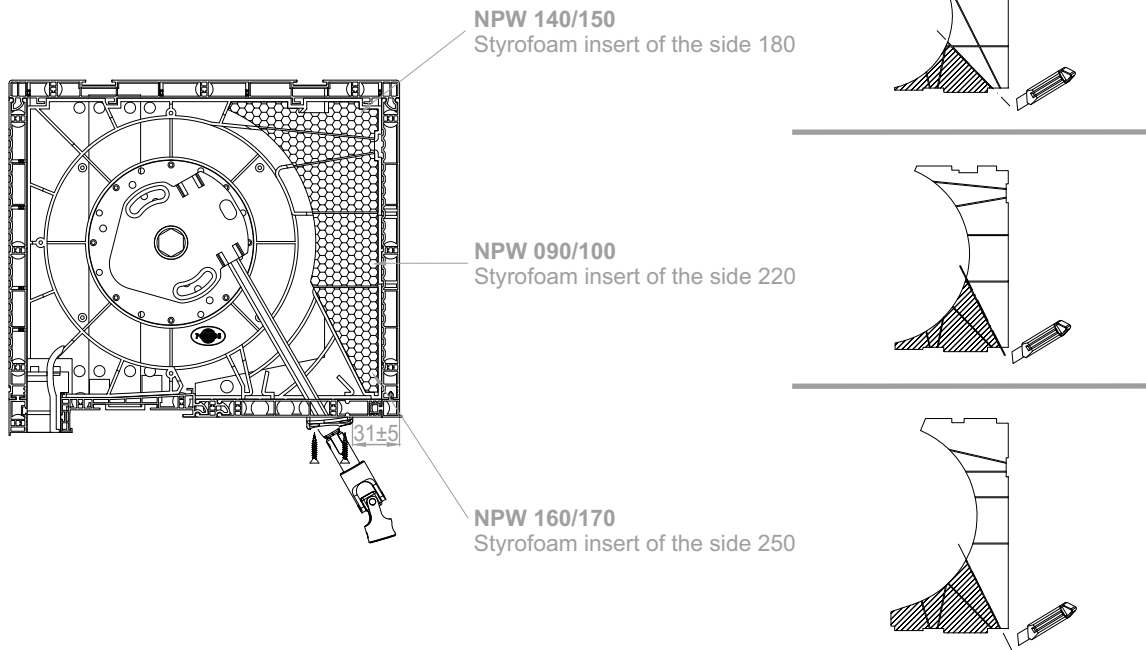
Installation of the end cap of the outer side profile for the box F-NPD-260, F-NPD-250 to the F-NPF-030 side.



Installation of the end cap of the inner side profile F-NPD-270 to the F-NPF 030 side.



Installation of the kardan crank - **A** output, 180, 220, 250 box

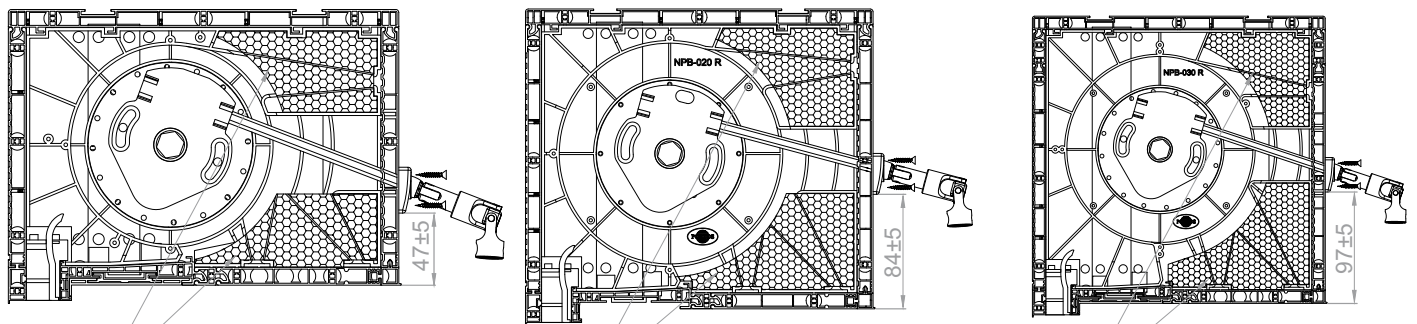


Installation of the kardan crank - **B** output

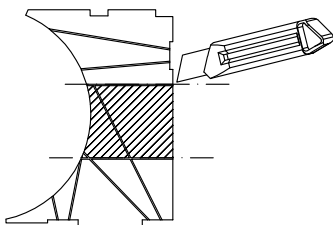
Box 180

Box 220

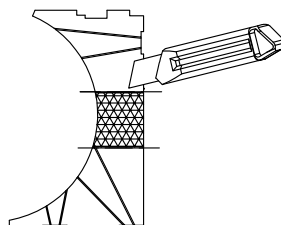
Box 250



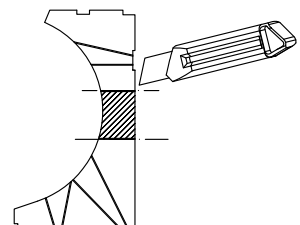
**NPW 140/150**  
Styrofoam insert of the side 180



**NPW 090/100**  
Styrofoam insert of the side 220

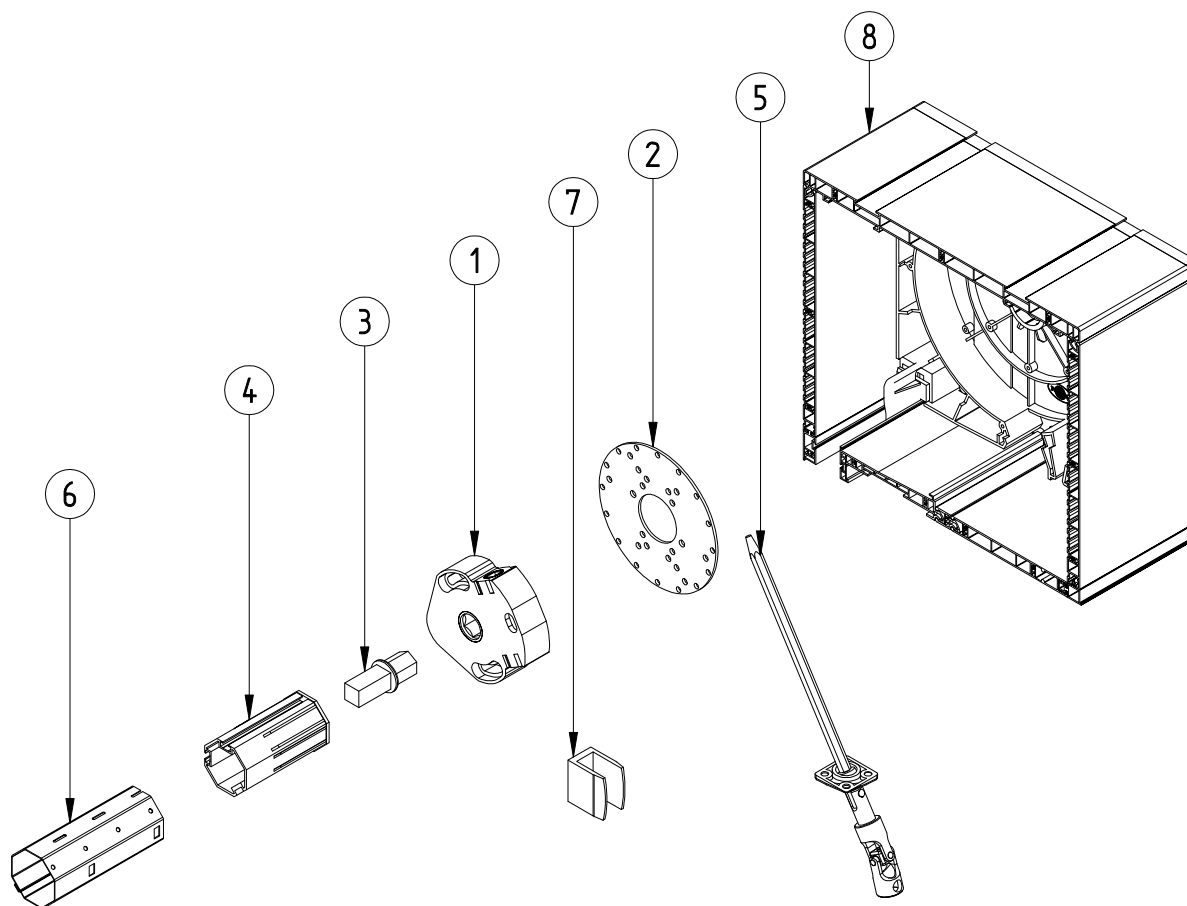


**NPW 160/170**  
Styrofoam insert of the side 250



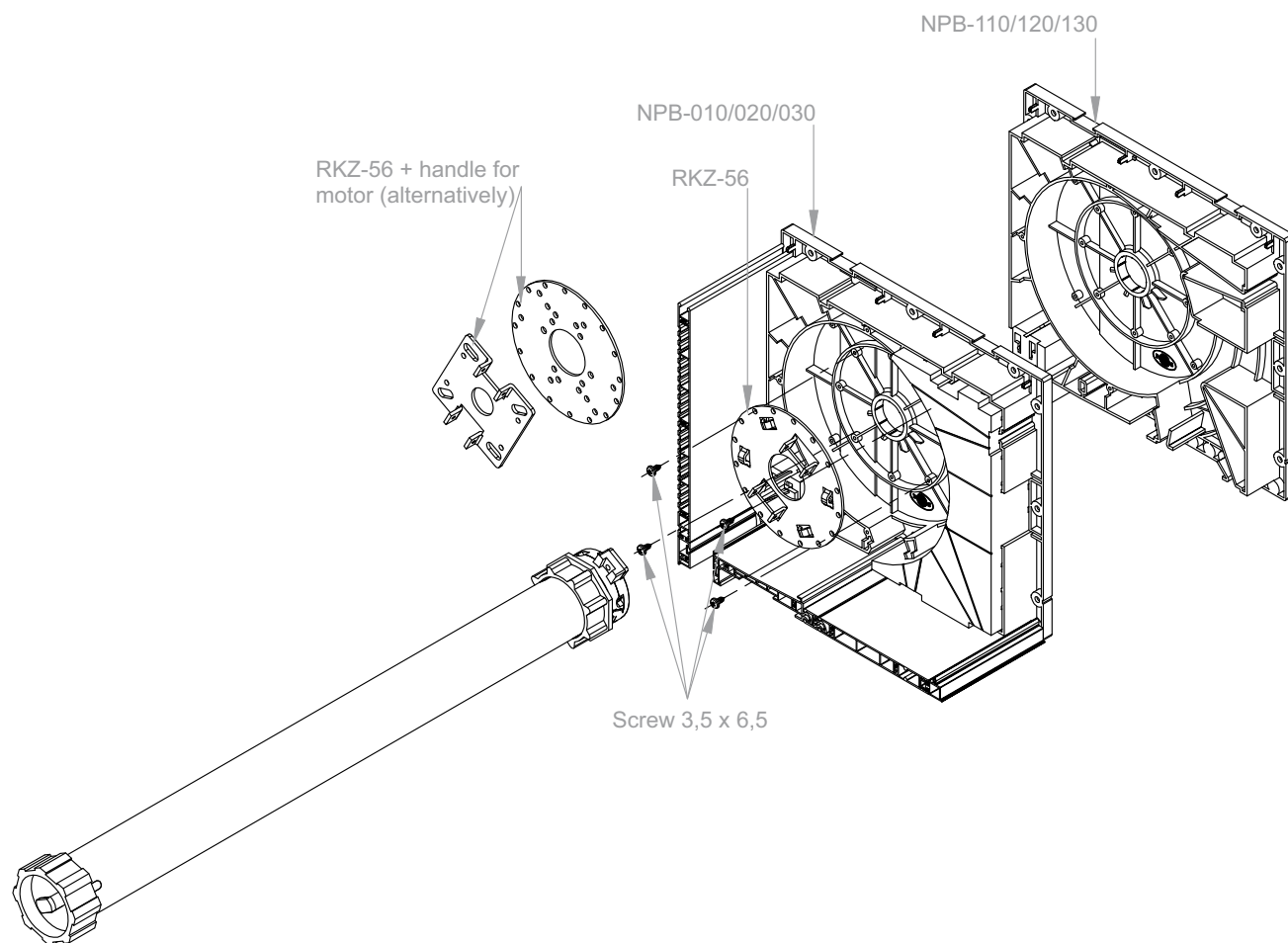


Assembly of crank mechanism

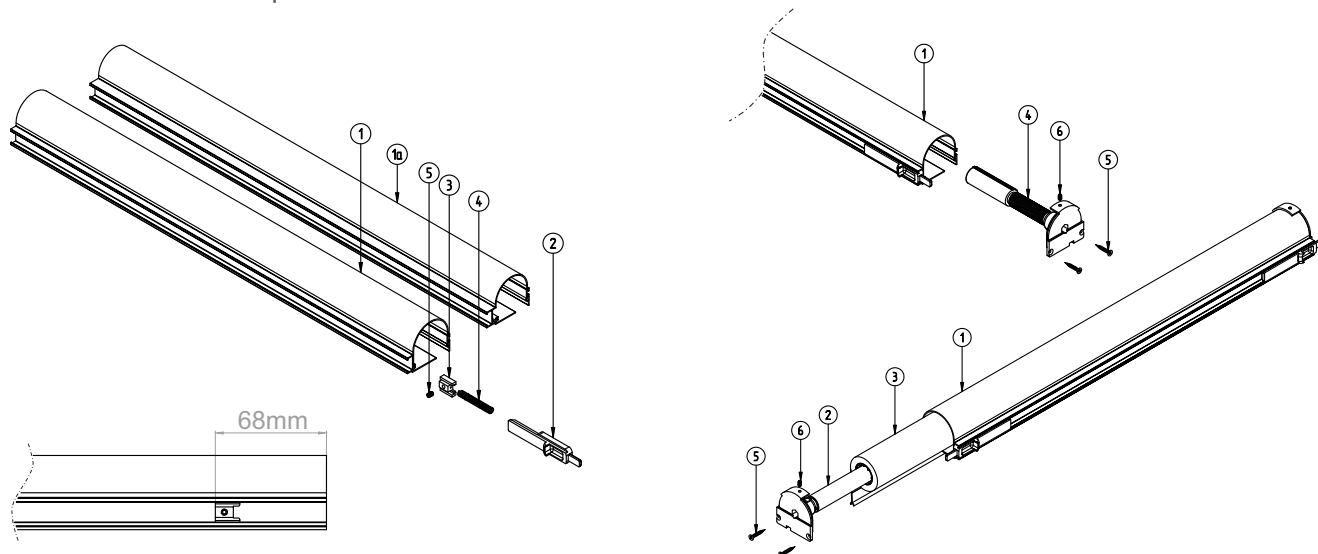


- |                 |  |
|-----------------|--|
| 1. ACE 1-8 MAŁY | ACE 1: 8 small crank mechanism                     |
| 2. RKZ56        | Plate for PCV box motor                            |
| 3.              | ACE Mounting pin - included with the ACE mechanism |
| 4. OBS-40-ACE   | 40 mounting for ACE mechanism                      |
| OBS-60-ACE      | 60 mounting for ACE mechanism                      |
| 5. KRH-ZF       | Kardan 165 with 1430 mm crank                      |
| 6. SW 40        | Octagonal pipe Ø40                                 |
| SW 60           | Octagonal pipe Ø60                                 |
| 7.              | Wall handle for crank - included in the crank set  |
| 8.              | TP1000K 180, 220, 250 Box                          |

Assembly of the motor



Installation of the mosquito net cassette in the box

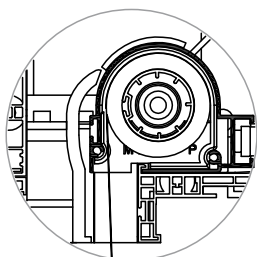


- 1. M-RN-011 Mosquito net cassette for 260 net
- 1a.M-RN-091 Mosquito net cassette for 160 net
- 2. M-RN-050 Latch of the cassette
- 3. M-RN-060 Latch blockade
- 4. M-RN-070 Spring for cassette latch
- 5. WKR 4 x 6 Grub screw for the latch lock

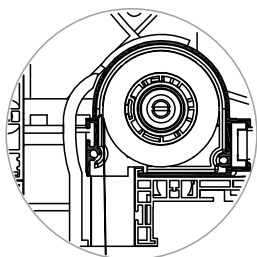
**Box 220, 250**

- 1. M-RN-011 Mosquito net cassette for 260 net
- 2. MZN-021 Spring 240 for mosquito net for a large cassette
- MZN-031 Spring 260 for mosquito net for a large cassette
- MZN-041 Spring 310 for mosquito net for a large cassette
- MZN-051 Spring 350 for mosquito net for a large cassette
- 3. MOS-260 Mosquito net
- 4. MZN-012 Slowing system for mosquito net
- 5. 2,8 x 20 Screw
- 6. 4 x 6 Grub screw

Correct arrangement of mosquito net cassette



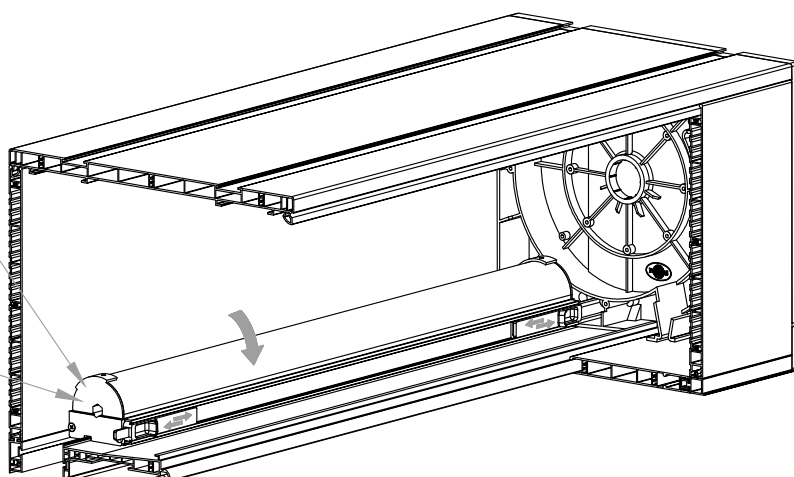
Cassette M-RN-090  
 in the box 180, 220, 250 mm



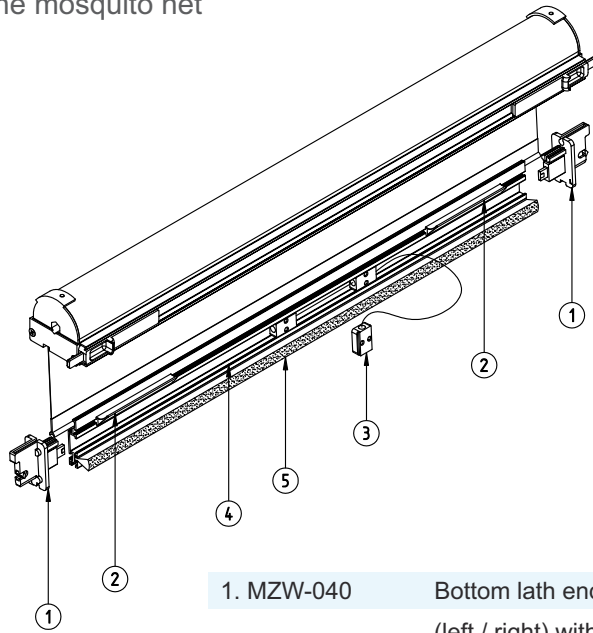
Cassette M-RN-011  
 in the box 220, 250 mm

**Box 180**

- 1. M-RN-091 Mosquito net cassette for 160 net
- 2. MZN-060 Spring 240 for mosquito net for a small cassette
- MZN-070 Spring 260 for mosquito net for a small cassette
- MZN-080 Spring 310 for mosquito net for a small cassette
- MZN-090 Spring 350 for mosquito net for a small cassette
- 3. MOS-160 Mosquito net
- 4. MZN-100 Slowing system for mosquito net for a small cassette
- 5. 2,8 x 20 Screw
- 6. 4 x 6 Grub screw

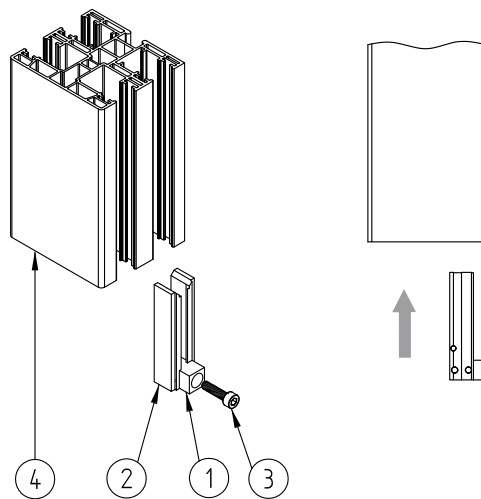


Installation of bottom lath of the mosquito net



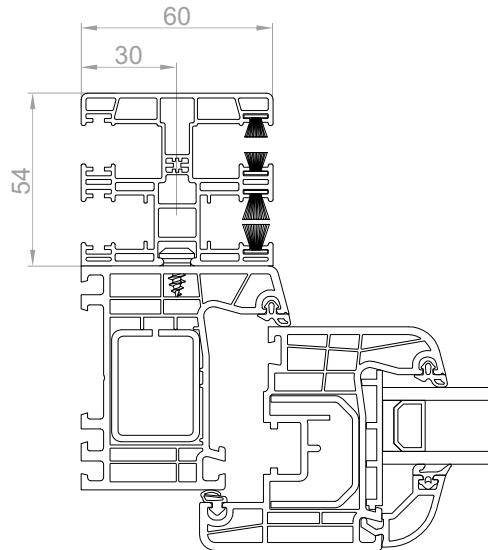
- |              |   |
|--------------|---|
| 1. MZW-040   | Bottom lath end of the CLICK-CLACK blockade (left / right) with latch |
| 2. M-RW-080  | Handle of mosquito net bottom lath                                    |
| 3. MZW-050   | Mosquito net cord handle  |
| 4. LDM 42x8  | Mosquito net bottom lath  |
| 5. SP 5,5x14 | Brush seal in the mosquito net bottom lath                            |

Installation of CLICK-CLACK blockade lock in PVC and ALU guide

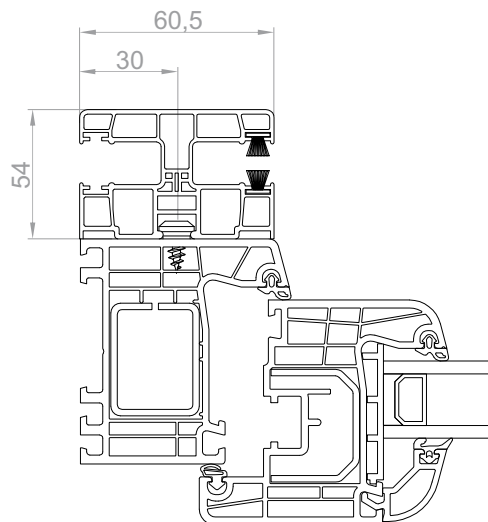


- |             |   |
|-------------|---|
| 1. M-RN-030 | CLICK-CLACK blockade lock for PVC guide L |
| 2. M-RN-040 | CLICK-CLACK blockade lock for PVC guide R |
| 3. M4x16    | Allen screw with nut                      |
| 4. NPR-010  | Shutter guide with mosquito net           |

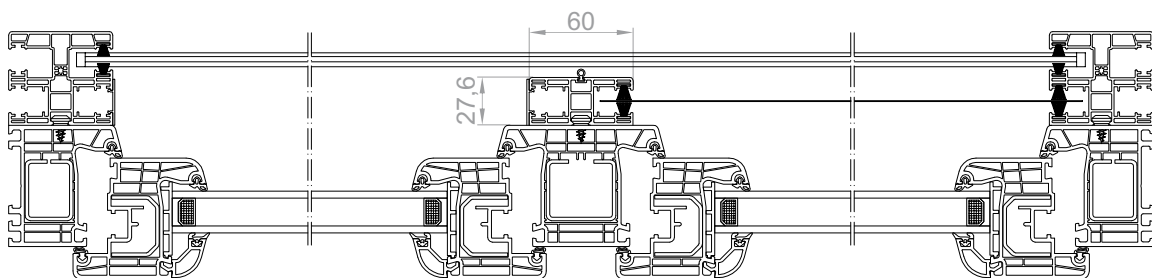
Installation of **NPR-010** guide



Installation of **NPR-020** guide



Installation of division guide for **NPR-030** mosquito net



## Recommended box size for TP1000K® shutter with mosquito net

### PA-39 and PA-45 curtain (including lateral caps)

width 0,55-1,8 m, max area of 4.5 m<sup>2</sup>

Type of the box	Maximum height of the shutter with box (cm)			Maximum height of the shutter with box (cm)			Maximum height of the shutter with box (cm)		
		with automatic bolt (cm)	with blocking bracket (cm)		with automatic bolt (cm)	with blocking bracket (cm)		with automatic bolt (cm)	with blocking bracket (cm)
<b>PVC</b>	PA-39 ø 40+PZ50	PA-39 ø 40-rygiel	PA-39 ø 40-WB.	PA-39 ø 60+PZ70	PA-39 ø 60-rygiel	PA-39 ø 60-WB	PA-45 ø 60+PZ70	PA-45 ø 60-rygiel	PA-45 ø 60-WB
<b>180 mm</b>	168	168	168	150	158	161	120	120	124
<b>220 mm</b>	230	212	212	212	204	204	173	173	137
<b>250 mm</b>	265	265	265	265	265	265	265	265	265
<b>180 mm+stabilizing console</b>	168	168	168	150	158	161	120	120	124
<b>220 mm+stabilizing console</b>	230	212	212	212	204	204	173	173	137
<b>250 mm+stabilizing console</b>	265	265	265	265	265	265	265	265	265
<b>180 mm+additional styrofoam insert</b>	168	168	168	150	158	161	120	120	124
<b>220 mm+additional styrofoam insert</b>	230	212	212	212	204	204	173	173	137
<b>250 mm+additional styrofoam insert</b>	265	265	265	265	265	265	265	265	265

**Note!** With the shutter width of more than 2 m (for divisions in one box) use ø 60.

In addition, the box reinforcement - WSP should be taken into account.

The minimum width of the shutter with slowing system for mosquito net is 67 cm.

PZ - expansion ring from ø 40 to ø 50 or from ø 60 to ø 70.

### External blinds

width 0,62-4,5 m; max. surface 16 m<sup>2</sup>

Box size	Maximum height of shutte (including the box size) /cm	
	with external blind ZF3000 (cm)	
<b>PVC</b>	<b>c80</b>	<b>z90</b>
<b>250 mm</b>	183	223
<b>250 mm+ lowering</b>	223	265
<b>250 mm+ raising</b>	223	265
<b>250 mm+lowering +raising</b>	265	265

## Recommended box size for TP1000K® shutter without mosquito net

### PA-39, PA-45, PA-52 curtain (including lateral caps)

width 0,35-2 m, max. area 6,5 m<sup>2</sup> width 0,35-2,5 m, max. area 6,5 m<sup>2</sup> width 0,35-3 m, max. area 6,5 m<sup>2</sup> width 0,35-3,7 m., max. area 8.0 m<sup>2</sup>

Type of the box	Maximum height of the shutter with box (cm)			Maximum height of the shutter with box (cm)			Maximum height of the shutter with box (cm)			Maximum height of the shutter with box (cm)		
		with automatic bolt (cm)	with blocking bracket (cm)		with automatic bolt (cm)	with blocking bracket (cm)		with automatic bolt (cm)	with blocking bracket (cm)		with automatic bolt (cm)	with blocking bracket (cm)
<b>PVC</b>	PA-39 ø 40+PZ50	PA-39 ø 40-rygiel	PA-39 ø 40-WB.	PA-39 ø 60+PZ70	PA-39 ø 60-rygiel	PA-39 ø 60-WB	PA-45 ø 60+PZ70	PA-45 ø 60-rygiel	PA-45 ø 60-WB	PA-52 ø 60+PZ70	PA-52 ø 60-rygiel	PA-52 ø 60-WB
<b>180 mm</b>	236	232	230	212	200	216	169	169	169	132	x	153
<b>220 mm</b>	349	340	349	328	298	298	255	255	255	212	x	212
<b>250 mm</b>	418	418	418	402	402	402	334	334	334	239	x	265
<b>180 mm+stabilizing console</b>	169	165	177	158	154	142	129	129	120	101	x	111
<b>220 mm+stabilizing console</b>	302	302	302	290	290	290	255	255	245	212	x	212
<b>250 mm+stabilizing console</b>	418	418	418	402	402	402	334	334	334	239	x	265
<b>180 mm+additional styrofoam insert</b>	138	134	134	95	91	95	93	93	93	64	x	76
<b>220 mm+additional styrofoam insert</b>	250	250	250	212	204	204	173	173	173	170	x	180
<b>250 mm+additional styrofoam insert</b>	418	418	418	402	402	402	334	334	334	239	x	265

**Note!** With the shutter width of more than 2 m (for divisions in one box) use ø 60.

In addition, the box reinforcement - WSP should be taken into account.

The minimum width of the shutter with slowing system for mosquito net is 67 cm.

PZ - expansion ring from ø 40 to ø 50 or from ø 60 to ø 70.

### External blinds

width 0,62-4,5 m; max. surface 16 m<sup>2</sup>

Box size	Maximum height of shutte (including the box size) /cm	
	with external blind ZF3000 (cm)	
<b>PVC</b>	<b>c80</b>	<b>z90</b>
<b>250 mm</b>	183	223
<b>250 mm+lowering</b>	223	283
<b>250 mm+raising</b>	223	283
<b>250 mm+lowering+raising</b>	273	343

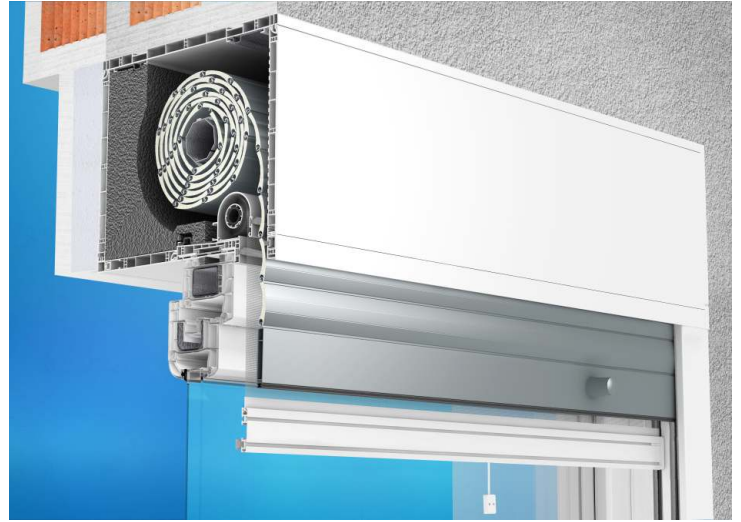
# TP1000K® System

## Examples of building-up the shutters

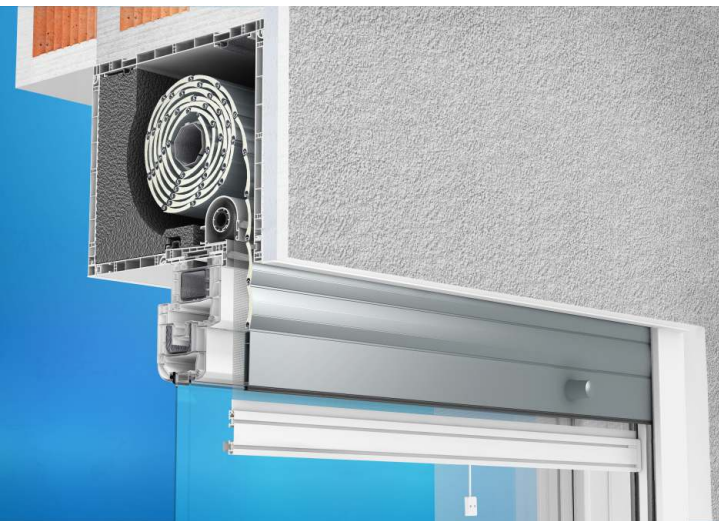
Examples of building-up TP1000K® shutters



TP1000K® shutter non-built-up



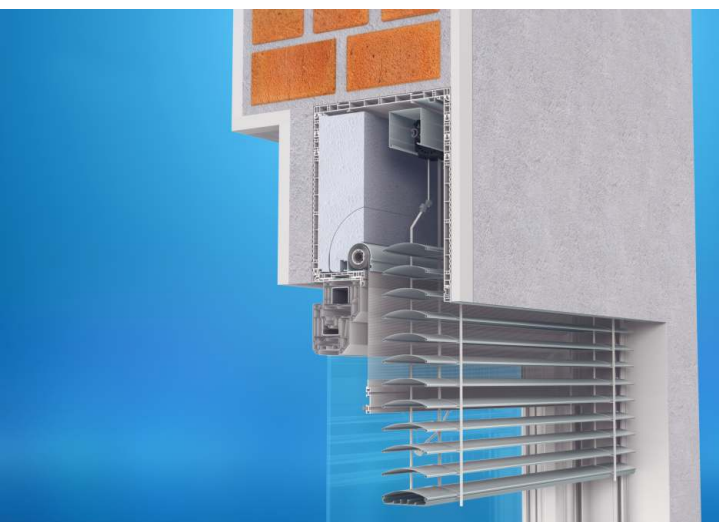
TP1000K® shutter built up from the inside



TP1000K® shutter built-up from the outside



TP1000K® shutter built-up on both sides



TP1000K®-ZF



**ITI<sup>®</sup>**  
**Instytut Techniki Budowlanej**  
Jednostka notyfikowana nr 1488 | Członek EOTA | Certyfikaty akredytacji PCA nr: AB 023, AC 020, AC 072, AP 113  
00-611 Warszawa | ul. Filitowa 1 | tel. 22 8250471 | Fax 22 8252286 | Dyrektor: tel. 22 8251303 | 22 8252885 | fax 22 8257730  
02-656 Warszawa | ul. Ksawerów 21 | tel. 22 8431471 | fax 22 8432931 | [www.itb.pl](http://www.itb.pl) | KRS: 0000158785

**Zakład Fizyki Ciepłej, Akustyki i Środowiska**  
ul. Ksawerów 21, 02-656 Warszawa  
tel.: 22 5664 133; fizyka@itb.pl  
Pracownia Fizyki Ciepłej  
tel.: 22 5664 269; fizyka@itb.pl  
Pracownia Energii i Środowiska  
tel.: 22 5664 272; fizyka-srodowisko@itb.pl  
Pracownia Akustyki  
tel.: 22 5664 311; akustyka@itb.pl  
Filia w Katowicach  
al. W. Korfantego 191, 40-153 Katowice  
tel.: 32 7302 925; akustyka@itb.pl

Warszawa, 15.07.2016 r.

PORTOS Renata i Tomasz Szukalscy Spółka Jawna  
ul. Ziłota 71  
62-800 KALISZ

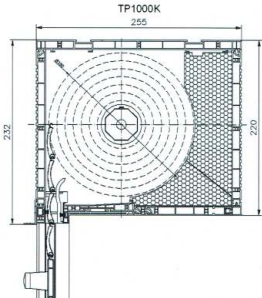
Wasz znak:  W korespondencji prosimy podawać poniższy znak:  
**NZF-03309R:24/JA/16**

DOTYCZY: LZF00-01619/16/Z00NZF

OBIEKT BADAŃ: Skrzynka zaaluzji z PCV (TP1000K)

WYNIK BADAŃ: Współczynnik przenikania ciepła skrzynki zaaluzji z PCV (TP1000K), pokazanej na rysunku, obliczony wg PN-EN ISO 10077-2:2012, o wymiarach (H x T) 220 x 255 mm jest równy:  
 $U_{ab} = 0,75 \text{ W/(m}^2 \cdot \text{K)}$

DOCUMENT ŹRÓDŁOWY: LZF00-01619/16/Z00NZF



Nr sprawy wg RWIA: NZF-413-186/2016  
Regon: 000063650 BPH S.A. Warszawa, Al. Jerozolimskie 27 nr 87 1060 0076 0000 3210 0016 6236 NIP: 525-000-93-58

**ITI<sup>®</sup>**  
**Instytut Techniki Budowlanej**  
Jednostka notyfikowana nr 1488 | Członek EOTA | Certyfikaty akredytacji PCA nr: AB 023, AC 020, AC 072, AP 113  
00-611 Warszawa | ul. Filitowa 1 | tel. 22 8250471 | Fax 22 8252286 | Dyrektor: tel. 22 8251303 | 22 8252885 | fax 22 8257730  
02-656 Warszawa | ul. Ksawerów 21 | tel. 22 8431471 | fax 22 8432931 | [www.itb.pl](http://www.itb.pl) | KRS: 0000158785

**Zakład Fizyki Ciepłej, Akustyki i Środowiska**  
ul. Ksawerów 21, 02-656 Warszawa  
tel.: 22 5664 133; fizyka@itb.pl  
Pracownia Fizyki Ciepłej  
tel.: 22 5664 269; fizyka@itb.pl  
Pracownia Energii i Środowiska  
tel.: 22 5664 272; fizyka-srodowisko@itb.pl  
Pracownia Akustyki  
tel.: 22 5664 311; akustyka@itb.pl  
Filia w Katowicach  
al. W. Korfantego 191, 40-153 Katowice  
tel.: 32 7302 925; akustyka@itb.pl

Warszawa, 15.07.2016 r.

PORTOS Renata i Tomasz Szukalscy Spółka Jawna  
ul. Ziłota 71  
62-800 KALISZ


Wasz znak:  W korespondencji prosimy podawać poniższy znak:  
**NZF-03309R:25/JA/16**

DOTYCZY: LZF00-01619/16/Z00NZF

OBIEKT BADAŃ: Skrzynka zaaluzji z PCV (TP1000K z dodatkową wkładką)

WYNIK BADAŃ: Współczynnik przenikania ciepła skrzynki zaaluzji z PCV (TP1000K z dodatkową wkładką), pokazanej na rysunku, obliczony wg PN-EN ISO 10077-2:2012, o wymiarach (H x T) 220 x 255 mm jest równy:  
 $U_{ab} = 0,72 \text{ W/(m}^2 \cdot \text{K)}$

DOCUMENT ŹRÓDŁOWY: LZF00-01619/16/Z00NZF



Nr sprawy wg RWIA: NZF-413-186/2016  
Regon: 000063650 BPH S.A. Warszawa, Al. Jerozolimskie 27 nr 87 1060 0076 0000 3210 0016 6236 NIP: 525-000-93-58

**ITI<sup>®</sup>**  
**Instytut Techniki Budowlanej**  
Jednostka notyfikowana nr 1488 | Członek EOTA | Certyfikaty akredytacji PCA nr: AB 023, AC 020, AC 072, AP 113  
00-611 Warszawa | ul. Filitowa 1 | tel. 22 8250471 | Fax 22 8252286 | Dyrektor: tel. 22 8251303 | 22 8252885 | fax 22 8257730  
02-656 Warszawa | ul. Ksawerów 21 | tel. 22 8431471 | fax 22 8432931 | [www.itb.pl](http://www.itb.pl) | KRS: 0000158785

**Zakład Fizyki Ciepłej, Akustyki i Środowiska**  
ul. Ksawerów 21, 02-656 Warszawa  
tel.: 22 5664 133; fizyka@itb.pl  
Pracownia Fizyki Ciepłej  
tel.: 22 5664 269; fizyka@itb.pl  
Pracownia Energii i Środowiska  
tel.: 22 5664 272; fizyka-srodowisko@itb.pl  
Pracownia Akustyki  
tel.: 22 5664 311; akustyka@itb.pl  
Filia w Katowicach  
al. W. Korfantego 191, 40-153 Katowice  
tel.: 32 7302 925; akustyka@itb.pl

Warszawa, 15.07.2016 r.

PORTOS Renata i Tomasz Szukalscy Spółka Jawna  
ul. Ziłota 71  
62-800 KALISZ

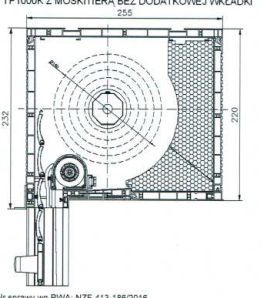
Wasz znak:  W korespondencji prosimy podawać poniższy znak:  
**NZF-03309R:27/JA/16**

DOTYCZY: LZF00-01619/16/Z00NZF

OBIEKT BADAŃ: Skrzynka zaaluzji z PCV (TP1000K z moskitierą bez dodatkowej wkładki)

WYNIK BADAŃ: Współczynnik przenikania ciepła skrzynki zaaluzji z PCV (TP1000K z moskitierą bez dodatkowej wkładki), pokazanej na rysunku, obliczony wg PN-EN ISO 10077-2:2012, o wymiarach (H x T) 220 x 255 mm jest równy:  
 $U_{ab} = 0,78 \text{ W/(m}^2 \cdot \text{K)}$

DOCUMENT ŹRÓDŁOWY: LZF00-01619/16/Z00NZF



Nr sprawy wg RWIA: NZF-413-186/2016  
Regon: 000063650 BPH S.A. Warszawa, Al. Jerozolimskie 27 nr 87 1060 0076 0000 3210 0016 6236 NIP: 525-000-93-58

**ITI<sup>®</sup>**  
**Instytut Techniki Budowlanej**  
Jednostka notyfikowana nr 1488 | Członek EOTA | Certyfikaty akredytacji PCA nr: AB 023, AC 020, AC 072, AP 113  
00-611 Warszawa | ul. Filitowa 1 | tel. 22 8250471 | Fax 22 8252286 | Dyrektor: tel. 22 8251303 | 22 8252885 | fax 22 8257730  
02-656 Warszawa | ul. Ksawerów 21 | tel. 22 8431471 | fax 22 8432931 | [www.itb.pl](http://www.itb.pl) | KRS: 0000158785

**Zakład Fizyki Ciepłej, Akustyki i Środowiska**  
ul. Ksawerów 21, 02-656 Warszawa  
tel.: 22 5664 133; fizyka@itb.pl  
Pracownia Fizyki Ciepłej  
tel.: 22 5664 269; fizyka@itb.pl  
Pracownia Energii i Środowiska  
tel.: 22 5664 272; fizyka-srodowisko@itb.pl  
Pracownia Akustyki  
tel.: 22 5664 311; akustyka@itb.pl  
Filia w Katowicach  
al. W. Korfantego 191, 40-153 Katowice  
tel.: 32 7302 925; akustyka@itb.pl

Warszawa, 15.07.2016 r.

PORTOS Renata i Tomasz Szukalscy Spółka Jawna  
ul. Ziłota 71  
62-800 KALISZ

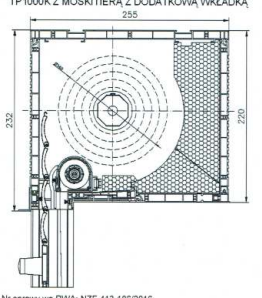
Wasz znak:  W korespondencji prosimy podawać poniższy znak:  
**NZF-03309R:26/JA/16**

DOTYCZY: LZF00-01619/16/Z00NZF

OBIEKT BADAŃ: Skrzynka zaaluzji z PCV (TP1000K z moskitierą, z dodatkową wkładką)

WYNIK BADAŃ: Współczynnik przenikania ciepła skrzynki zaaluzji z PCV (TP1000K z moskitierą z dodatkową wkładką), pokazanej na rysunku, obliczony wg PN-EN ISO 10077-2:2012, o wymiarach (H x T) 220 x 255 mm jest równy:  
 $U_{ab} = 0,74 \text{ W/(m}^2 \cdot \text{K)}$

DOCUMENT ŹRÓDŁOWY: LZF00-01619/16/Z00NZF



Nr sprawy wg RWIA: NZF-413-186/2016  
Regon: 000063650 BPH S.A. Warszawa, Al. Jerozolimskie 27 nr 87 1060 0076 0000 3210 0016 6236 NIP: 525-000-93-58





