

External blind

ZF3000®

TECHNICAL CATALOGUE



TABLE OF CONTENTS:

Description and advantages of ZF3000® external blind	2
System diagrams and parts list:	
C80 system diagram:	
• steel cord, electrical control	4
• steel cord, manual control	6
• guides, electrical control	8
• guides, manual control	10
Z90 system diagram:	
• guides, electrical control	12
• guides, manual control	14
BX C80, Z90 system diagram:	
• BX, TYPE „A“	16
• BX with mosquito net, TYPE „A“	18
• BX with a spacer, TYPE „B“	20
• BX with a spacer and mosquito net, TYPE „B“	22
• BX 250 on the facade, TYPE „C“	24
• BX 250 on the facade, with mosquito net, TYPE „C“	26
• BX 250 on the facade, with a spacer, TYPE „D“	28
• BX 250 on the facade, with a spacer and mosquito net, TYPE „D“	30
Slats:	
„C80“ slat	32
„Z90“ slat	33
List of elements	34
Assembly drawings:	
How to install guides	61
How to install guiding cord handles	63
How to install corner guides	64
How to install manual control	65
Installation of the crank lifting mechanism in the BX box	66
Mounting hole distances in wall handles	68
Examples of mounting safety plates	69
Corner box	70
Mosquito net	74
Common drive	75



External blinds are an elegant and modern product installed on the building facade. They act as an insulator that largely affects the room temperature and therefore they are usually mounted on the facades of large buildings.

Blinds are mounted with the use of aluminium guides or steel cords in PVC sheath, while the control can be electrical or manual by means of a crank.

APPLICATION

The construction simplicity of PORTOS external blinds in combination with their lightweight design is perfect for modern architectural projects as well as existing buildings.

They are an important element of the building. Properly selected, they help reduce the costs associated with operation of air conditioners.

AESTHETICS AND COMFORT

External blinds are a modern and elegant product that changes the nature of the building facade, giving it a more interesting and modern image.

They protect the interior of the building against excessive sunlight, providing an effective barrier allowing to maintain a stable temperature in the room.

Appropriate adjustment of the interior dimming and heat transfer are provided by the adjustment of the slat inclination angle. In addition, they effectively eliminate excessive noise.

FUNCTIONALITY

Blind slats are manufactured in two types with a cross section resembling the C letter, 80 mm wide and with a section similar to the Z letter, 90 mm wide.

In order to protect the slats against harmful effects of weather conditions, polyester paint is used.

The wide range of RAL colours gives the possibility of matching the product to any type of facades. The system's functionality has been additionally increased by the possibility of using different types of drives and automation.

ZF3000 is a trademark of the PORTOS company.
All photos and drawings contained in the catalogue are for reference only.
The PORTOS company reserves the right to make changes.
©2019 PORTOS. All rights reserved.

ZF3000[®] ZF3000-BX[®]



LEGEND:



STEEL

ALU

PVC

C80

Z90



The indicative weight of the component (in kilograms).

Maximum length of a long component (given in meters).

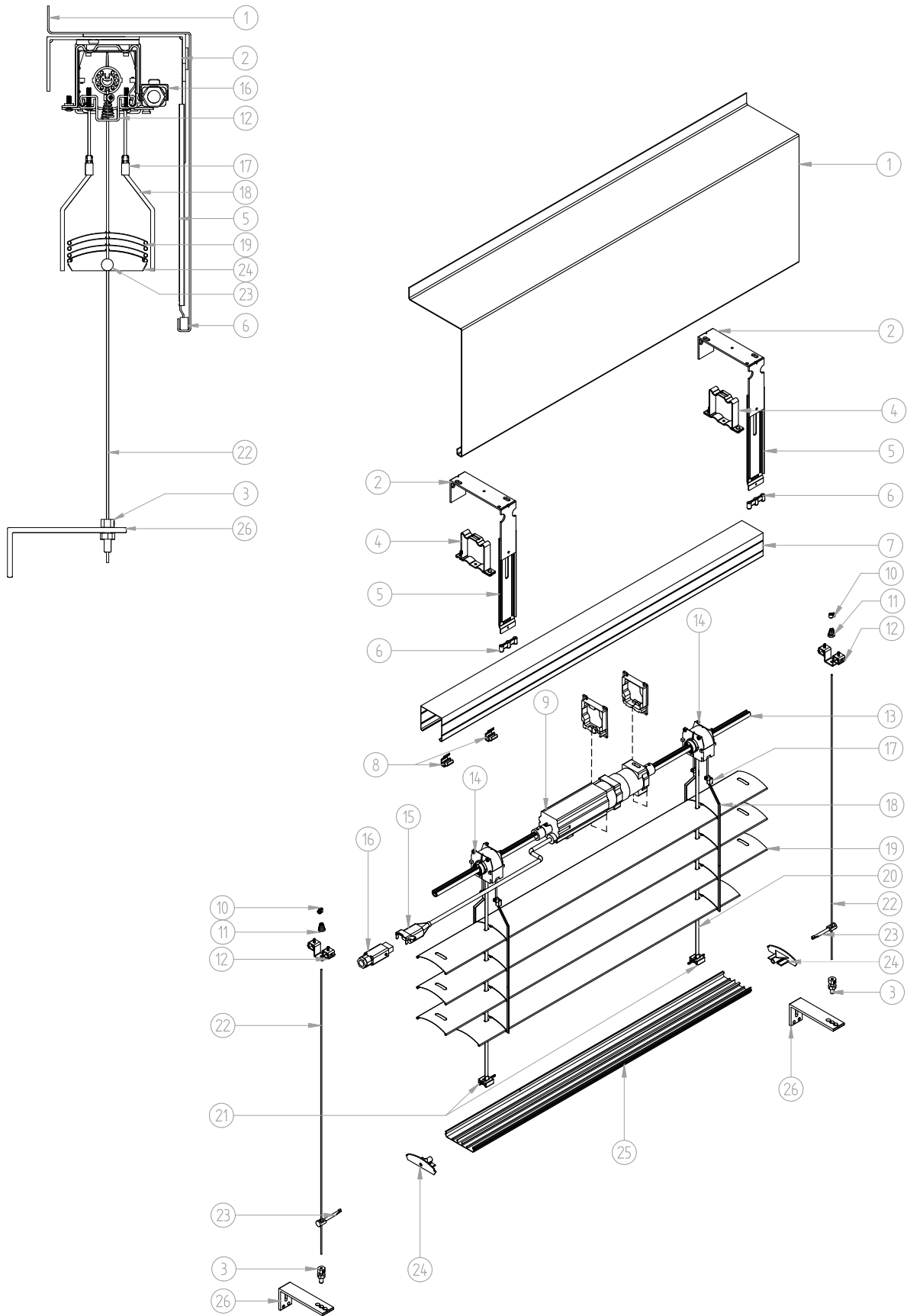
The material used to make a component (e.g. PVC, STEEL etc.).

The slat type to which the component is designed.

The component with a veneering option.

ZF3000® system diagram and parts list

C80 - steel cord, electrical control

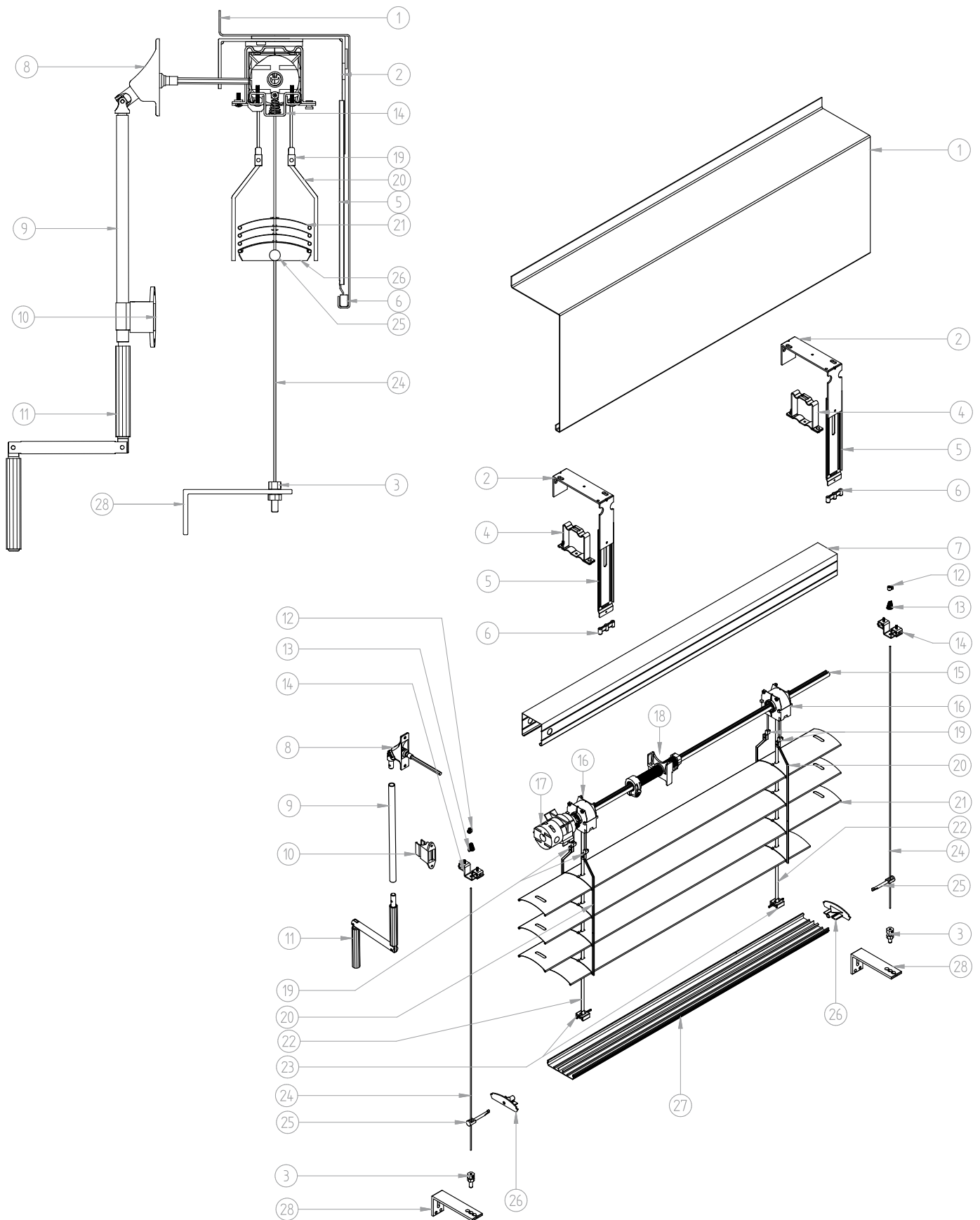


ZF3000® C80 steel cord, electrical control - parts list

1.	F-B15A-12-20	Safety plate 200mm, A to C80 type
	F-B15A-12-25	Safety plate 250mm, A to C80 type
	F-B15A-12-30	Safety plate 300mm, A to C80 type
	F-B15A-12-34	Safety plate 340mm, A to C80 type
	F-B15A-12-37	Safety plate 370mm, A to C80 type
	F-B15A-12-44	Safety plate 440mm, A to C80 type
2.	F-US-120	120 mm wall handle
3.	F-SR-32	Adjusting screw for the cord guide
4.	F-USG	Top rail handle
5.	F-PBO-126	Safety plate extension 126 mm for sheets 130-173 mm
	F-PBO-143	Safety plate extension 143 mm for sheets 174-253 mm
	F-PBO-223	Safety plate extension 223 mm for sheets 254-330 mm
	F-PBO-303	Safety plate extension 303 mm for sheets 331-412 mm
	F-PBO-383	Safety plate extension 383 mm for sheets 413-480 mm
6.	F-WP-45	Extension silencing element
7.	F-RN	Head rail
8.	F-UK	Cable holder for external blind
9.		Electric motor
10.	F-PS	Stop ring for the cord guide
11.	F-SPR	Cord guide spring
12.	F-UPLG	Cord guide handle attached to the top rail
13.	F-R-060	External blind roller pipe
14.	F-MZP-C80	C80 roller and lifting mechanism
15.		Hirschmann STAS 3 male plug
16.		Hirschmann STAK 3 female plug
17.	F-LD	Ladder and ball chain connector
18.	F-DR-C80	Ladder for C80 external blinds
19.	F-C80	C80 slat
20.	F-TN-06	External blind winding tape
21.	F-KT-20	Winding tape clip
22.	F-PL	Cord guide
23.	F-TLD	Bottom lath pin for the external blind
24.	F-ZLD-C80	Bottom lath plug for the C80 external blind
25.	F-LD-C80	Bottom lath for the C80 external blind
26.	F-UDPL-80	Cord guide lower handle 80 mm
	F-UDPL-120	Cord guide lower handle 120 mm
	F-UDPL-150	Cord guide lower handle 150 mm

ZF3000® system diagram and parts list

C80 - steel cord, manual control

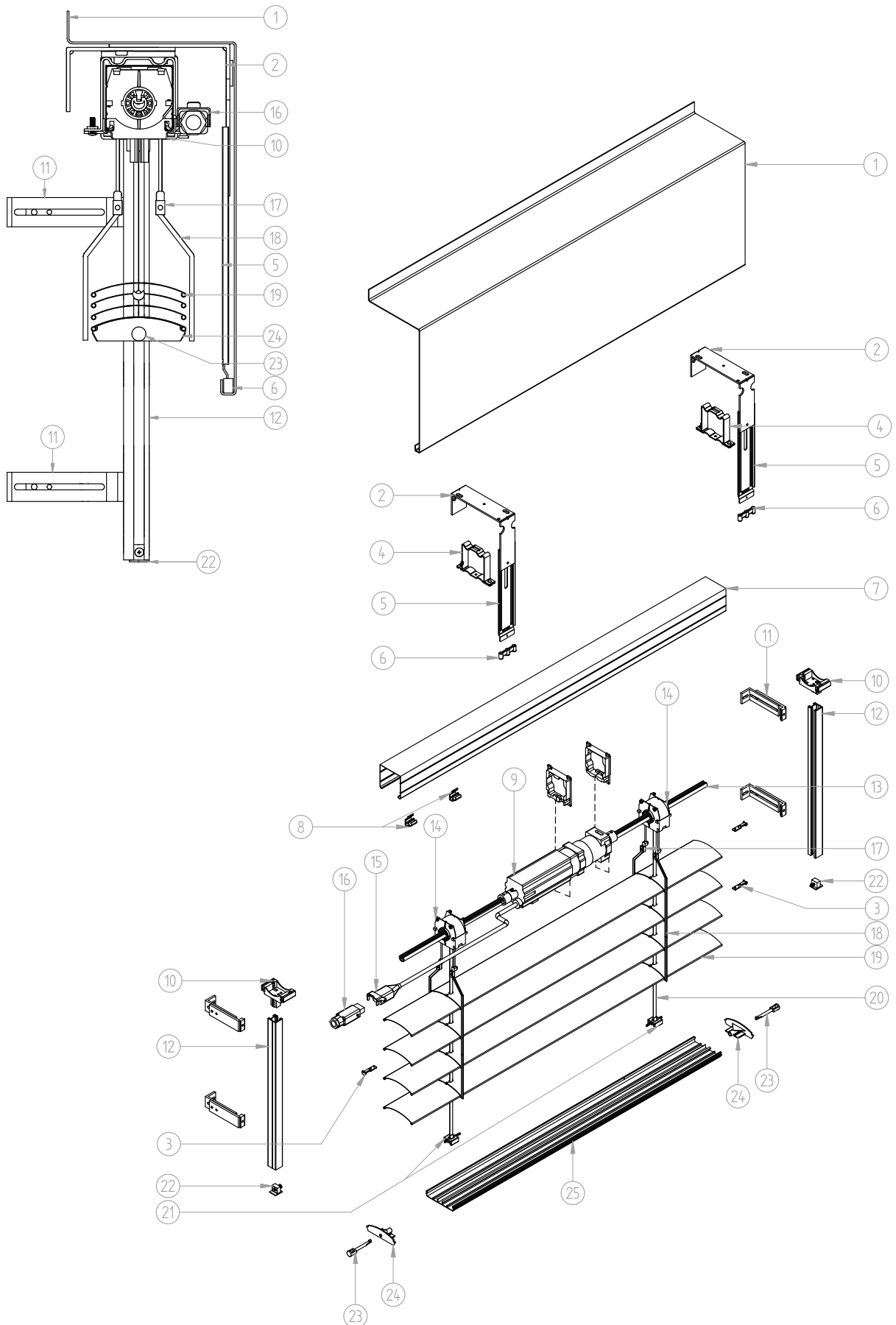


ZF3000® C80 steel cord, manual control - parts list

1.	F-B15A-12-20	Safety plate 200mm, A to C80 type
	F-B15A-12-25	Safety plate 250mm, A to C80 type
	F-B15A-12-30	Safety plate 300mm, A to C80 type
	F-B15A-12-34	Safety plate 340mm, A to C80 type
	F-B15A-12-37	Safety plate 370mm, A to C80 type
	F-B15A-12-44	Safety plate 440mm, A to C80 type
2.	F-US-120	120 mm wall handle
3.	F-SR-32	Adjusting screw for the cord guide
4.	F-USG	Top rail handle
5.	F-PBO-126	Safety plate extension 126 mm for sheets 130-173 mm
	F-PBO-143	Safety plate extension 143 mm for sheets 174-253 mm
	F-PBO-223	Safety plate extension 223 mm for sheets 254-330 mm
	F-PBO-303	Safety plate extension 303 mm for sheets 331-412 mm
	F-PBO-383	Safety plate extension 383 mm for sheets 413-480 mm
6.	F-WP-45	Extension silencing element
7.	F-RN	Head rail
8.	F-PZ-45	Rod guide 45, 6KT 6 mm
	F-PZ-90	Rod guide 90, 6KT 6 mm
9.	F-PR-10	Aluminium rod
10.	F-KK	Crank clip
11.	F-KL	Aluminium articulated crank
12.	F-PS	Stop ring for the cord guide
13.	F-SPR	Cord guide spring
14.	F-UPLG	Cord guide handle attached to the top rail
15.	F-R-060	External blind roller pipe
16.	F-MZP-C80	C80 roller and lifting mechanism
17.	F-PK	Crank gear
18.	F-KR	Gear limit switch for the external blind
19.	F-LD	Ladder and ball chain connector
20.	F-DR-C80	Ladder for C80 external blinds
21.	F-C80	C80 slat
22.	F-TN-06	External blind winding tape
23.	F-KT-20	Winding tape clip
24.	F-PL	Cord guide
25.	F-TLD	Bottom lath pin for the external blind
26.	F-ZLD-C80	Bottom lath plug for the C80 external blind
27.	F-LD-C80	Bottom lath for the C80 external blind
28.	F-UDPL-80	Cord guide lower handle 80 mm
	F-UDPL-120	Cord guide lower handle 120 mm
	F-UDPL-150	Cord guide lower handle 150 mm

ZF3000® system diagram and parts list

C80 - guides, electrical control

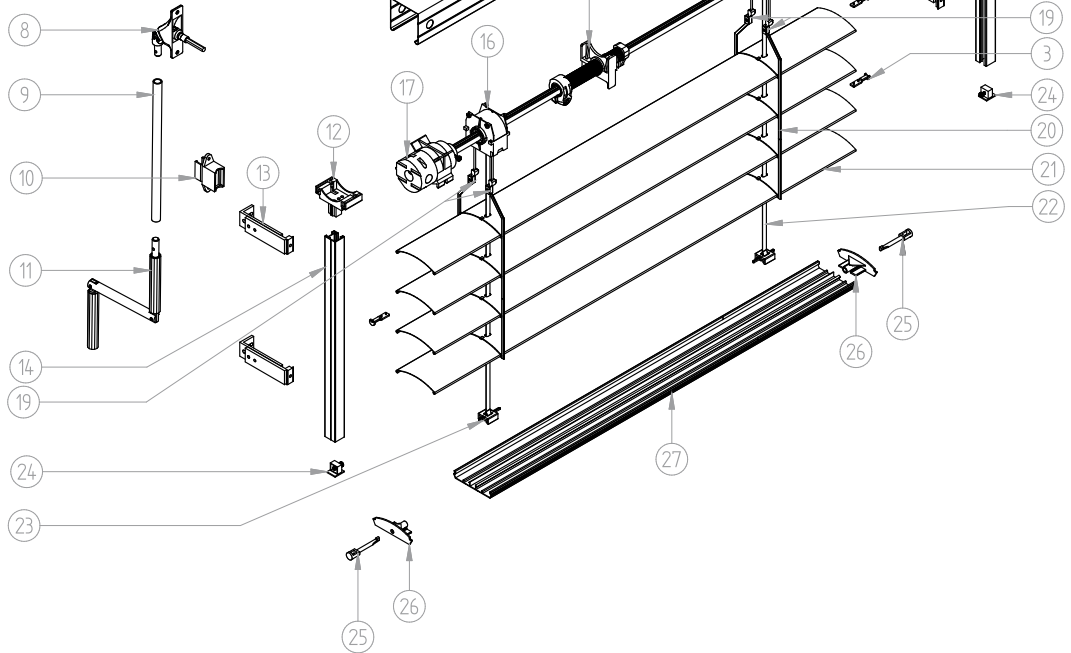
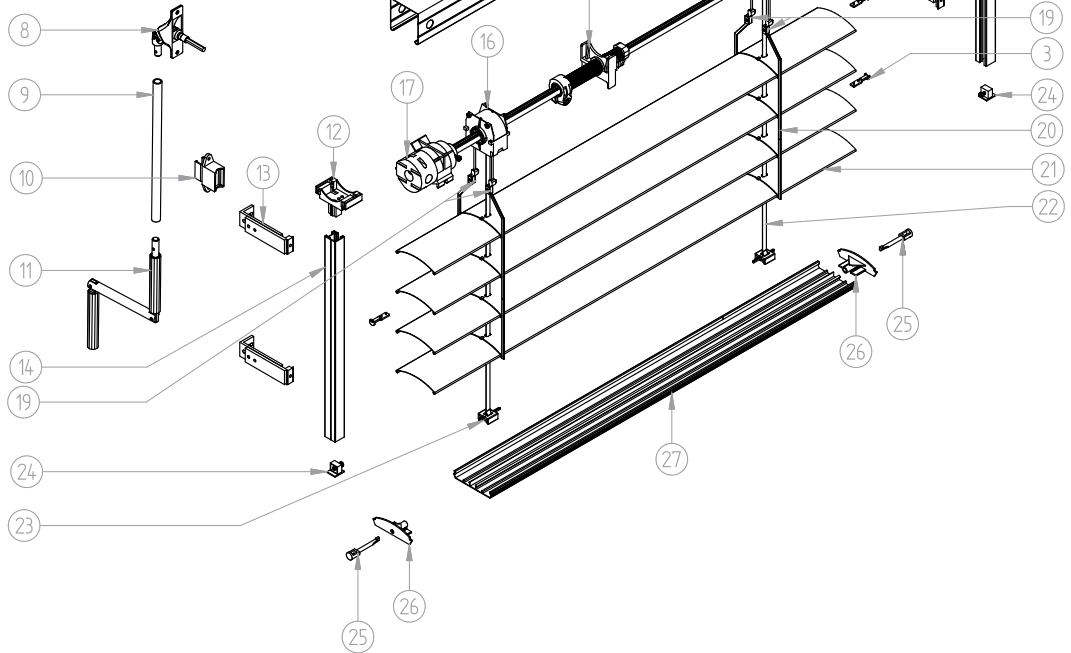
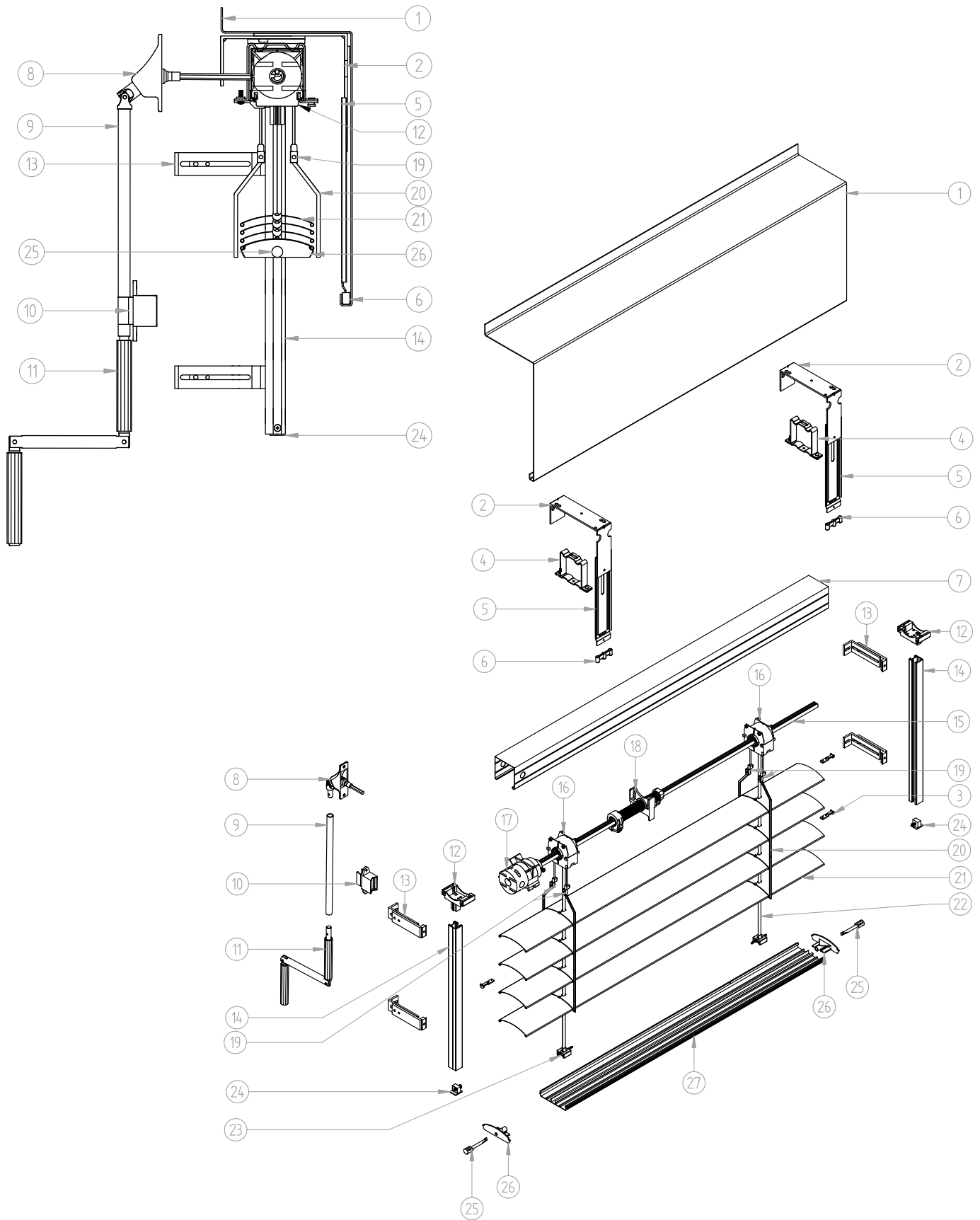


ZF3000® C80 guides, electrical control - parts list

1.	F-B15A-12-20	Safety plate 200mm, A to C80 type
	F-B15A-12-25	Safety plate 250mm, A to C80 type
	F-B15A-12-30	Safety plate 300mm, A to C80 type
	F-B15A-12-34	Safety plate 340mm, A to C80 type
	F-B15A-12-37	Safety plate 370mm, A to C80 type
	F-B15A-12-44	Safety plate 440mm, A to C80 type
2.	F-US-120	120 mm wall handle
3.	F-T-C80	Pin for C80 external blind slats
4.	F-USG	Top rail handle
5.	F-PBO-126	Safety plate extension 126 mm for sheets 130-173 mm
	F-PBO-143	Safety plate extension 143 mm for sheets 174-253 mm
	F-PBO-223	Safety plate extension 223 mm for sheets 254-330 mm
	F-PBO-303	Safety plate extension 303 mm for sheets 331-412 mm
	F-PBO-383	Safety plate extension 383 mm for sheets 413-480 mm
6.	F-WP-45	Extension silencing element
7.	F-RN	Head rail
8.	F-UK	Cable holder for external blind
9.		Electric motor
10.	F-UPG	Guide handle in the top rail
11.	F-UPP-50-70	Straight guide handle 50-70 mm
	F-UPP-71-100	Straight guide handle 71-100 mm
	F-UPP-101-145	Straight guide handle 101-145 mm
12.	F-PP-20	External blind single guide
13.	F-R-060	External blind roller pipe
14.	F-MZP-C80	C80 roller and lifting mechanism
15.		Hirschmann STAS 3 male plug
16.		Hirschmann STAK 3 female plug
17.	F-LD	Ladder and ball chain connector
18.	F-DR-C80	Ladder for the C80 external blind
19.	F-C80	C80 slat
20.	F-TN-06	External blind winding tape
21.	F-KT-20	Winding tape clip
22.	F-ZP	Guide end cap
23.	F-TLD	Bottom lath pin for the external blind
24.	F-ZLD-C80	Bottom lath plug for the C80 external blind
25.	F-LD-C80	Bottom lath for the C80 external blind

ZF3000® system diagram and parts list

C80 - guides, manual control

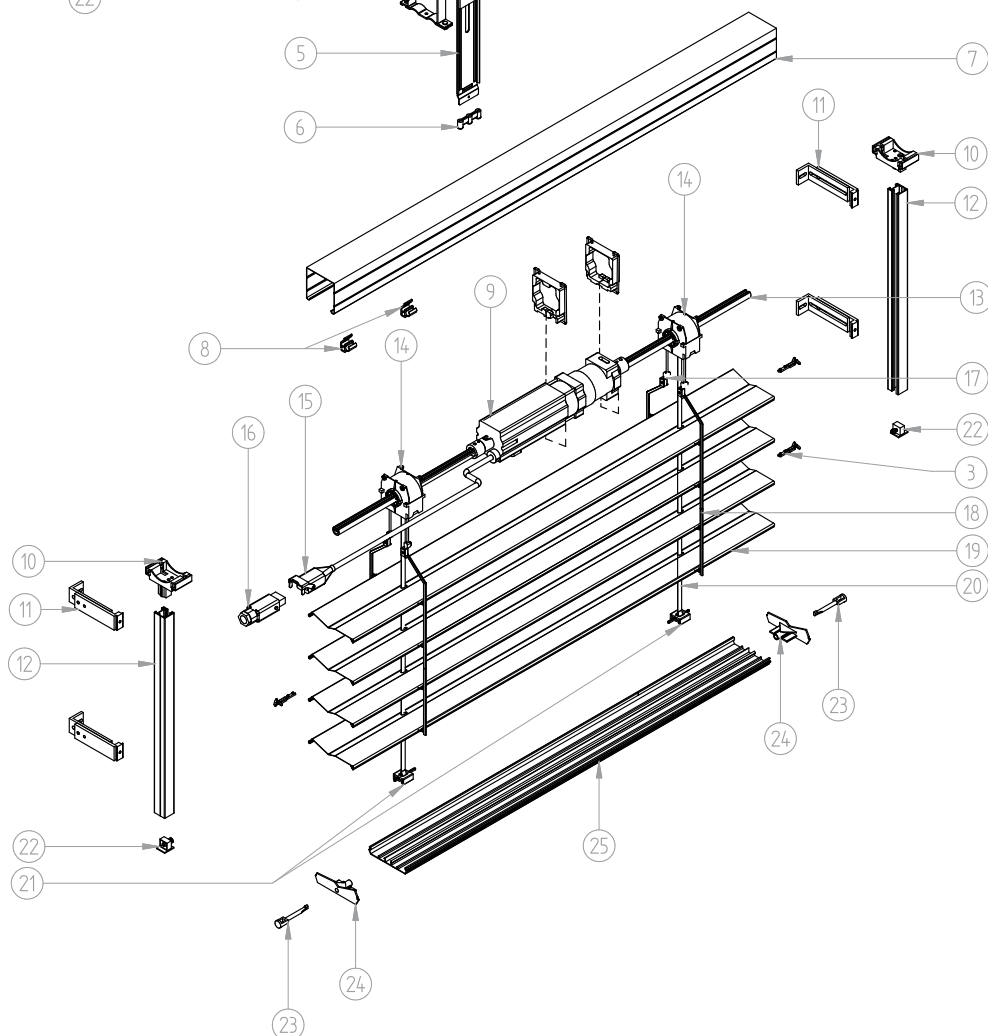
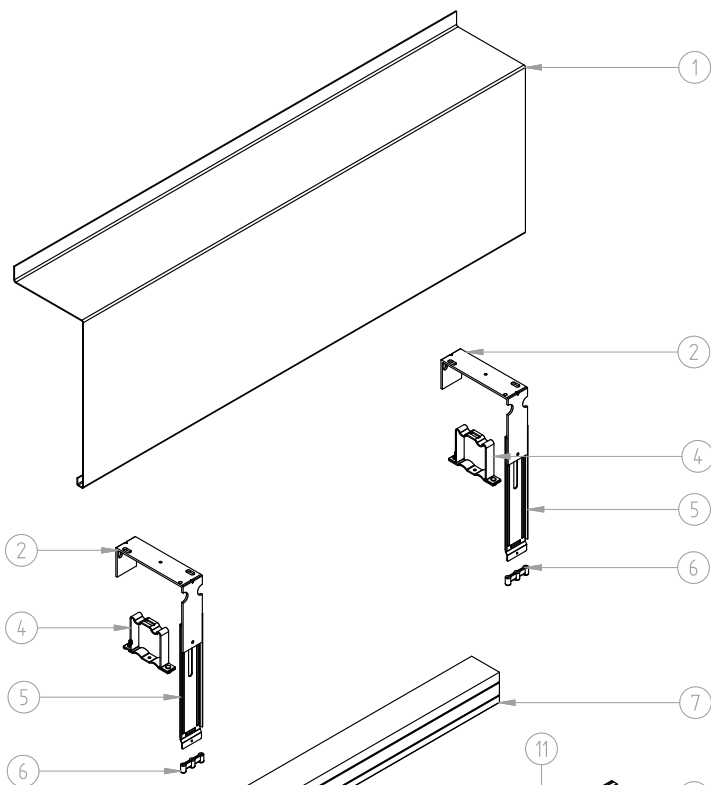
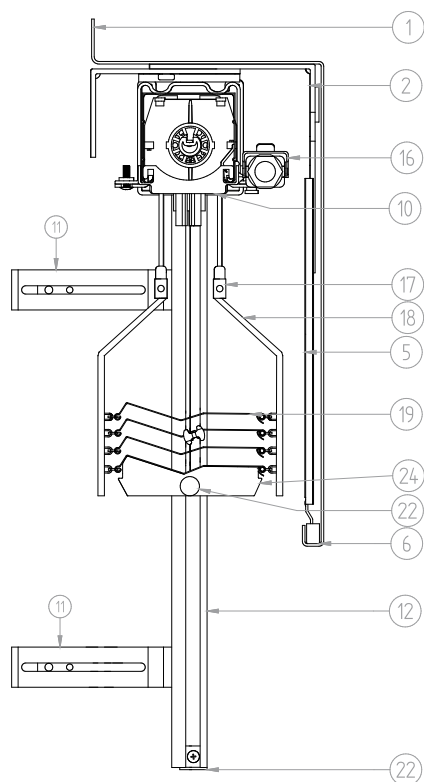


ZF3000[®] C80 guides, manual control - parts list

1.	F-B15A-12-20	Safety plate 200mm, A to C80 type
	F-B15A-12-25	Safety plate 250mm, A to C80 type
	F-B15A-12-30	Safety plate 300mm, A to C80 type
	F-B15A-12-34	Safety plate 340mm, A to C80 type
	F-B15A-12-37	Safety plate 370mm, A to C80 type
	F-B15A-12-44	Safety plate 440mm, A to C80 type
2.	F-US-120	120 mm wall handle
3.	F-T-C80	Pin for C80 external blind slats
4.	F-USG	Top rail handle
5.	F-PBO-126	Safety plate extension 126 mm for sheets 130-173 mm
	F-PBO-143	Safety plate extension 143 mm for sheets 174-253 mm
	F-PBO-223	Safety plate extension 223 mm for sheets 254-330 mm
	F-PBO-303	Safety plate extension 303 mm for sheets 331-412 mm
	F-PBO-383	Safety plate extension 383 mm for sheets 413-480 mm
6.	F-WP-45	Extension silencing element
7.	F-RN	Head rail
8.	F-PZ-45	Rod guide 45, 6KT 6 mm
	F-PZ-90	Rod guide 90, 6KT 6 mm
9.	F-PR-10	Aluminium rod
10.	F-KK	Crank clip
11.	F-KL	Aluminium articulated crank
12.	F-UPG	Guide handle in the top rail
13.	F-UPP-50-70	Straight guide handle 50-70 mm
	F-UPP-71-100	Straight guide handle 71-100 mm
	F-UPP-101-145	Straight guide handle 101-145 mm
14.	F-PP-20	External blind single guide
15.	F-R-060	External blind roller pipe
16.	F-MZP-C80	C80 roller and lifting mechanism
17.	F-PK	Crank gear
18.	F-KR	Gear limit switch for the external blind
19.	F-LD	Ladder and ball chain connector
20.	F-DR-C80	Ladder for C80 external blinds
21.	F-C80	C80 slat
22.	F-TN-06	External blind winding tape
23.	F-KT-20	Winding tape clip
24.	F-ZP	Guide end cap
25.	F-TLD	Bottom lath pin for the external blind
26.	F-ZLD-C80	Bottom lath plug for the C80 external blind
27.	F-LD-C80	Bottom lath for the C80 external blind

ZF3000® system diagram and parts list

Z90 - guides, electrical control

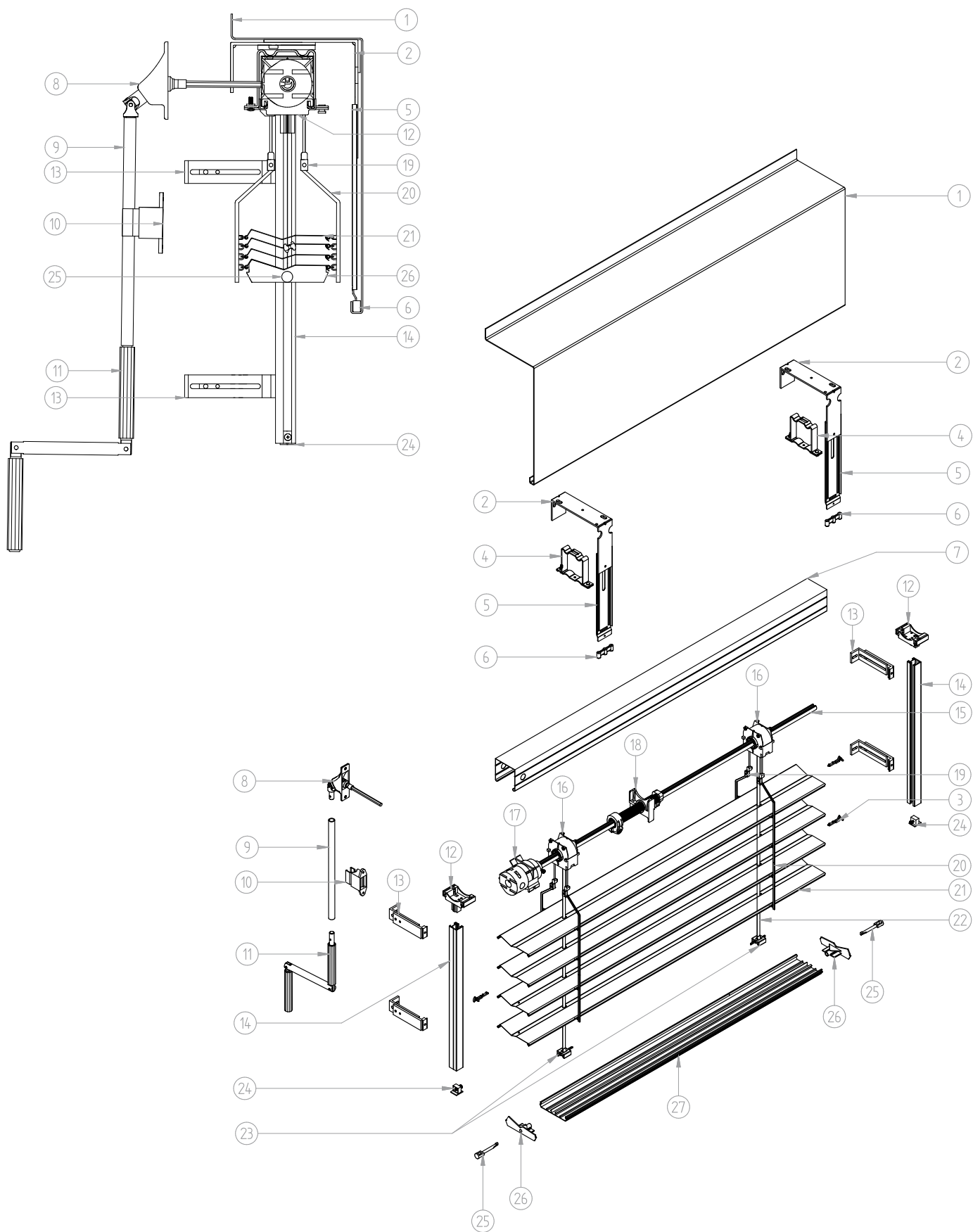


ZF3000® Z90 guides, electrical control - parts list

1.	F-B15A-14-20	Safety plate 200mm, A to Z90 type
	F-B15A-14-25	Safety plate 250mm, A to Z90 type
	F-B15A-14-30	Safety plate 300mm, A to Z90 type
	F-B15A-14-34	Safety plate 340mm, A to Z90 type
	F-B15A-14-37	Safety plate 370mm, A to Z90 type
	F-B15A-14-44	Safety plate 440mm, A to Z90 type
2.	F-US-140	140 mm wall handle
3.	F-T-Z90	Pin for Z90 external blind slats
4.	F-USG	Top rail handle
5.	F-PBO-126	Safety plate extension 126 mm for sheets 130-173 mm
	F-PBO-143	Safety plate extension 143 mm for sheets 174-253 mm
	F-PBO-223	Safety plate extension 223 mm for sheets 254-330 mm
	F-PBO-303	Safety plate extension 303 mm for sheets 331-412 mm
	F-PBO-383	Safety plate extension 383 mm for sheets 413-480 mm
6.	F-WP-45	Extension silencing element
7.	F-RN	Head rail
8.	F-UK	Cable holder for external blind
9.		Electric motor
10.	F-UPG	Guide handle in the top rail
11.	F-UPP-50-70	Straight guide handle 50-70 mm
	F-UPP-71-100	Straight guide handle 71-100 mm
	F-UPP-101-145	Straight guide handle 101-145 mm
12.	F-PP-20	External blind single guide
13.	F-R-060	External blind roller pipe
14.	F-MZP-Z90	Z90 roller and lifting mechanism
15.		Hirschmann STAS 3 male plug
16.		Hirschmann STAK 3 female plug
17.	F-LD	Ladder and ball chain connector
18.	F-DR-Z90	Ladder for Z90 external blinds
19.	F-Z90	Z90 slat
20.	F-TN-06	External blind winding tape
21.	F-KT-20	Winding tape clip
22.	F-ZP	Guide end cap
23.	F-TLD	Bottom lath pin for the external blind
24.	F-ZLD-Z90	Bottom lath plug for the Z90 external blind
25.	F-LD-Z90	Bottom lath for the Z90 external blind

ZF3000® system diagram and parts list

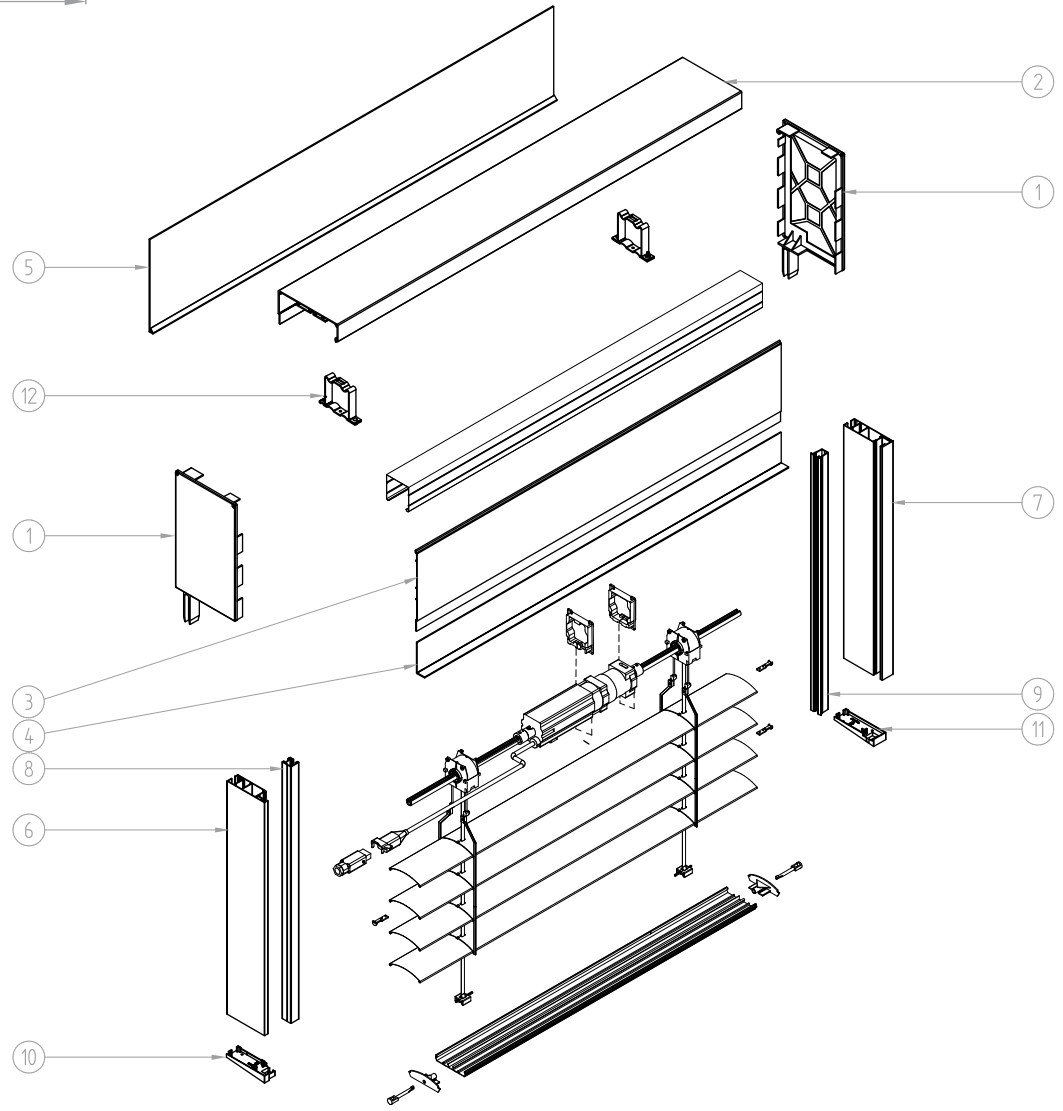
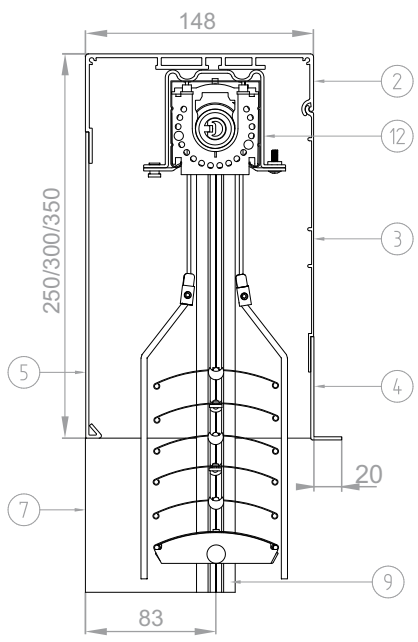
Z90 - guides, manual control



ZF3000[®] Z90 guides, manual control - parts list

1.	F-B15A-14-20	Safety plate 200mm, A to Z90 type
	F-B15A-14-25	Safety plate 250mm, A to Z90 type
	F-B15A-14-30	Safety plate 300mm, A to Z90 type
	F-B15A-14-34	Safety plate 340mm, A to Z90 type
	F-B15A-14-37	Safety plate 370mm, A to Z90 type
	F-B15A-14-44	Safety plate 440mm, A to Z90 type
2.	F-US-140	140 mm wall handle
3.	F-T-Z90	Pin for Z90 external blind slats
4.	F-USG	Top rail handle
5.	F-PBO-126	Safety plate extension 126 mm for sheets 130-173 mm
	F-PBO-143	Safety plate extension 143 mm for sheets 174-253 mm
	F-PBO-223	Safety plate extension 223 mm for sheets 254-330 mm
	F-PBO-303	Safety plate extension 303 mm for sheets 331-412 mm
	F-PBO-383	Safety plate extension 383 mm for sheets 413-480 mm
6.	F-WP-45	Extension silencing element
7.	F-RN	Head rail
8.	F-PZ-45	Rod guide 45, 6KT 6 mm
	F-PZ-90	Rod guide 90, 6KT 6 mm
9.	F-PR-10	Aluminium rod
10.	F-KK	Crank clip
11.	F-KL	Aluminium articulated crank
12.	F-UPG	Guide handle in the top rail
13.	F-UPP-50-70	Straight guide handle 50-70 mm
	F-UPP-71-100	Straight guide handle 71-100 mm
	F-UPP-101-145	Straight guide handle 101-145 mm
14.	F-PP-20	External blind single guide
15.	F-R-060	External blind roller pipe
16.	F-MZP-Z90	Z90 roller and lifting mechanism
17.	F-PK	Crank gear
18.	F-KR	Gear limit switch for the external blind
19.	F-LD	Ladder and ball chain connector
20.	F-DR-Z90	Ladder for Z90 external blinds
21.	F-Z90	Z90 slat
22.	F-TN-06	External blind winding tape
23.	F-KT-20	Winding tape clip
24.	F-ZP	Guide end cap
25.	F-TLD	Bottom lath pin for the external blind
26.	F-ZLD-Z90	Bottom lath plug for the Z90 external blind
27.	F-LD-Z90	Bottom lath for the Z90 external blind

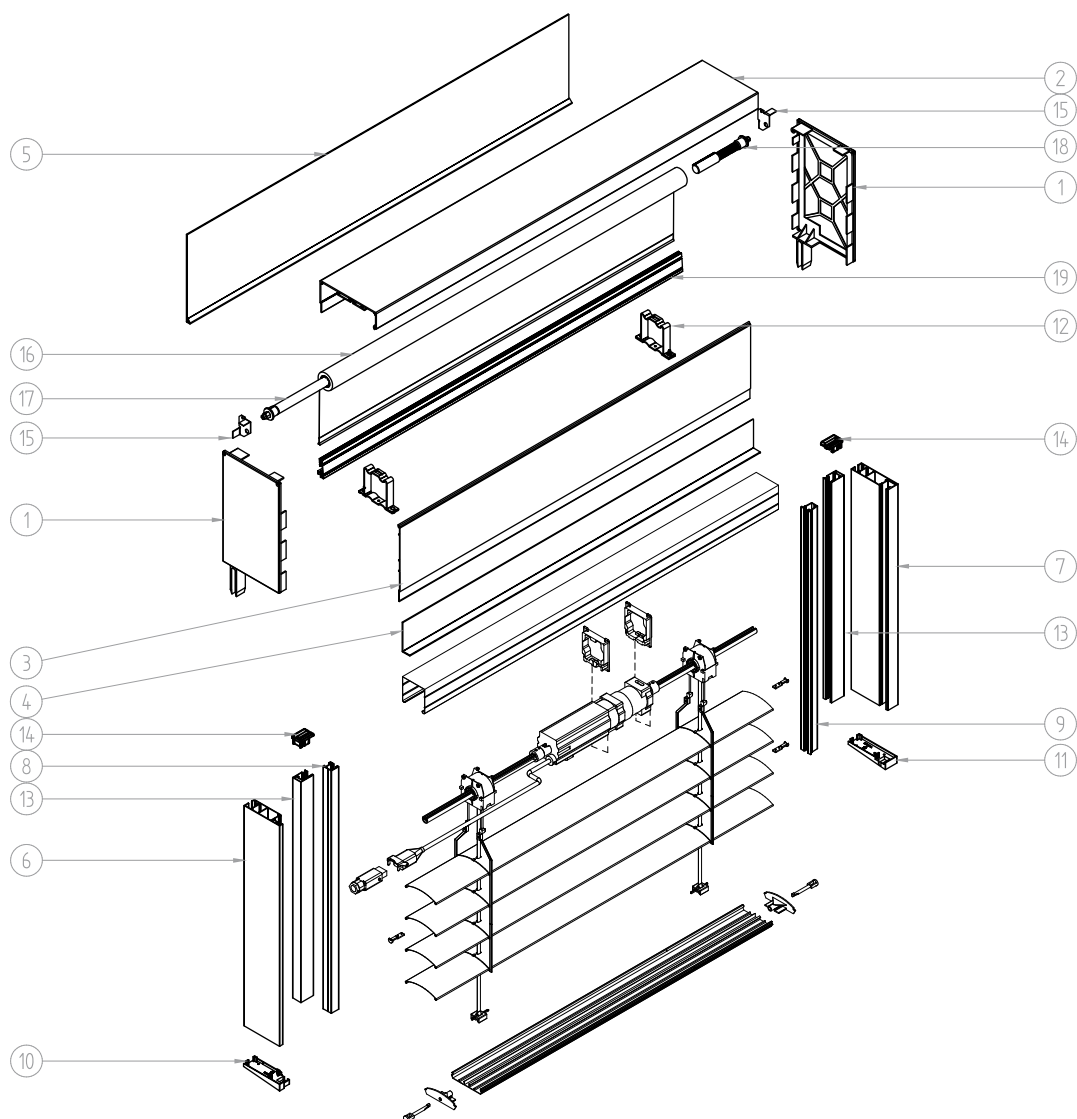
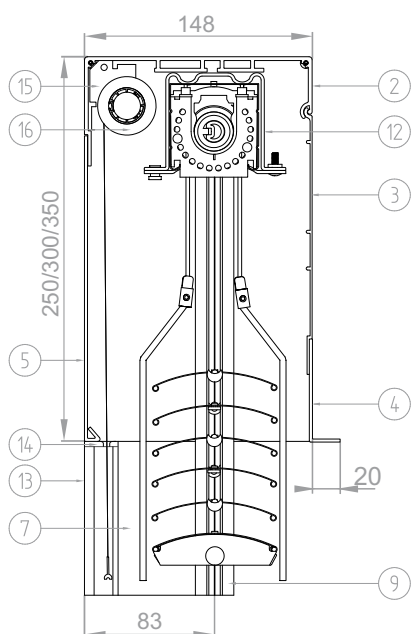
ZF3000® -BX system diagram and parts list, TYPE „A” C80, Z90



ZF3000® -BX C80, Z90 - parts list

1.	F-FBB-250	Side of the box ZF3000-BX 250
	F-FBB-300	Side of the box ZF3000-BX 300
	F-FBB-350	Side of the box ZF3000-BX 350
2.	F-FBS-010	Top profile of the box ZF3000-BX
3.	F-FBS-060	Outer profile of the box ZF3000-BX
4.	F-B15C-BX-6	Safety plate of the box ZF3000-BX 6.5 with a spacer
	F-B15C-BX-11	Safety plate of the box ZF3000-BX 11,5 with a spacer
	F-B15C-BX-16	Safety plate of the box ZF3000-BX 16,5 with a spacer
5.	F-B15B-BX-20	Safety plate of the box ZF3000-BX 250
	F-B15B-BX-25	Safety plate of the box ZF3000-BX 300
	F-B15B-BX-30	Safety plate of the box ZF3000-BX 350
6.	F-FBR-010	Guide adapter for external blind
7.	F-FBR-030	Guide for external blind for flush-mounted installation
8.	F-PP-20	External blind single guide
9.	F-RSC-340	Guide insert for external blind
10.	F-FBD-010 L/P	Bottom plug of the guide
11.	F-FBD-030 L/P	Bottom plug of the guide for flush-mounted installation
12.	F-USG	Top rail handle

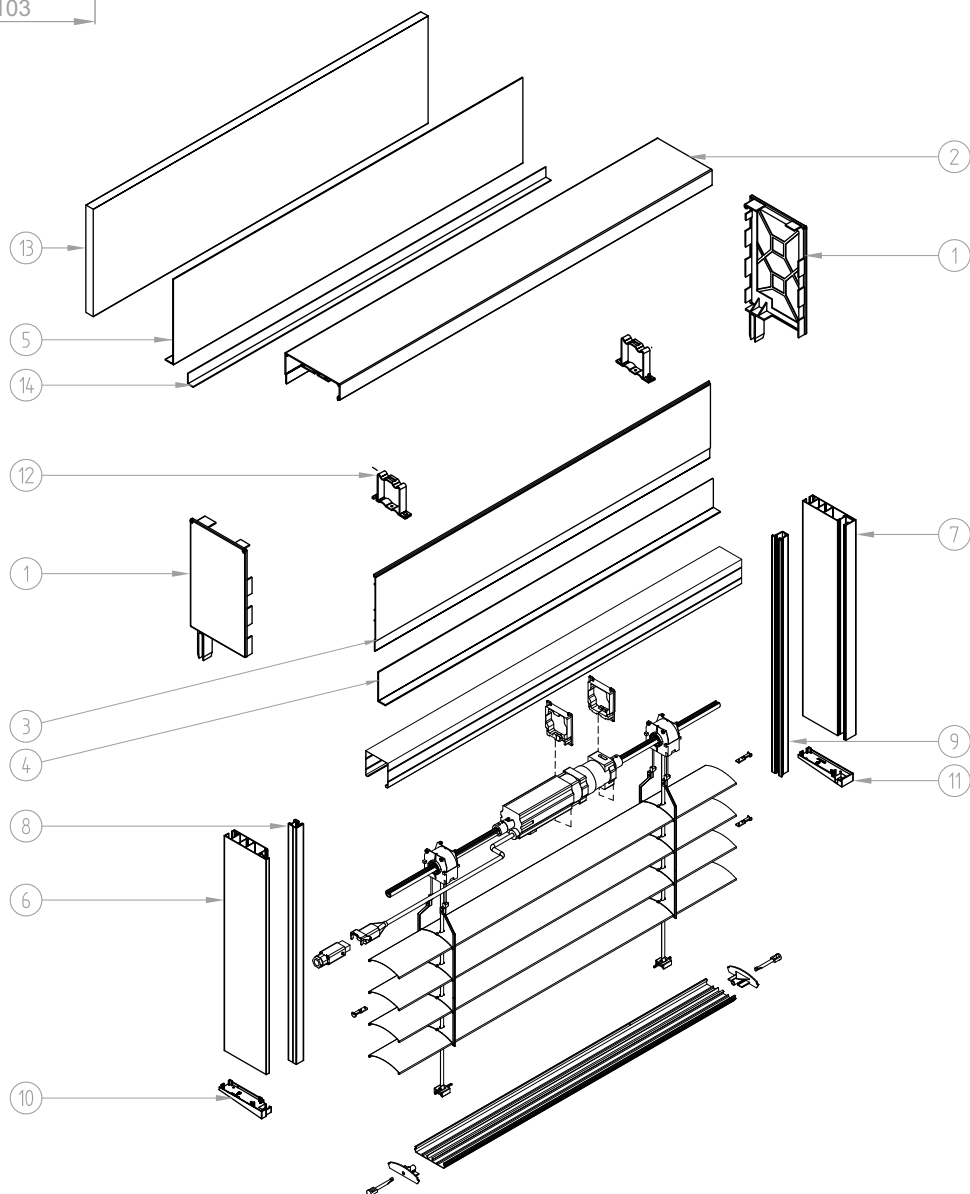
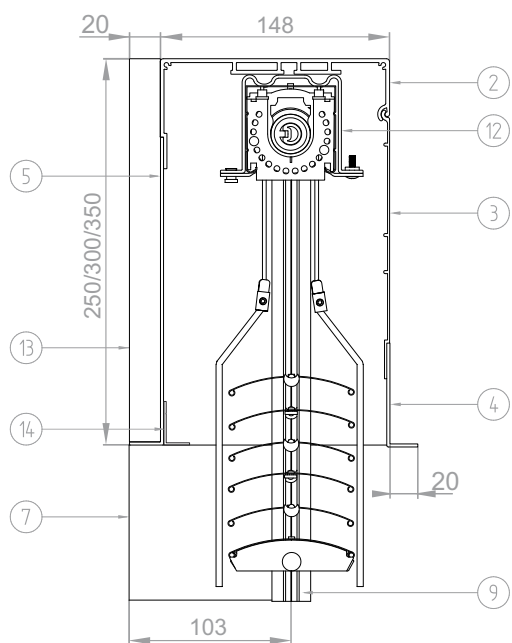
ZF3000® -BX system diagram and parts list, TYPE „A”
with mosquito net, C80, Z90



ZF3000® -BX C80, Z90 with mosquito net - parts list

1.	F-FBB-250	Side of the box ZF3000-BX 250
	F-FBB-300	Side of the box ZF3000-BX 300
	F-FBB-350	Side of the box ZF3000-BX 350
2.	F-FBS-010	Top profile of the box ZF3000-BX
3.	F-FBS-060	Outer profile of the box ZF3000-BX
4.	F-B15C-BX-6	Safety plate of the box ZF3000-BX 6.5 with a spacer
	F-B15C-BX-11	Safety plate of the box ZF3000-BX 11,5 with a spacer
	F-B15C-BX-16	Safety plate of the box ZF3000-BX 16,5 with a spacer
5.	F-B15B-BX-20	Safety plate of the box ZF3000-BX 250
	F-B15B-BX-25	Safety plate of the box ZF3000-BX 300
	F-B15B-BX-30	Safety plate of the box ZF3000-BX 350
6.	F-FBR-010	Guide adapter for external blind
7.	F-FBR-030	Guide for external blind for flush-mounted installation
8.	F-PP-20	External blind single guide
9.	F-RSC-340	Guide insert for external blind
10.	F-FBD-010 L/P	Bottom plug of the guide
11.	F-FBD-030 L/P	Bottom plug of the guide for flush-mounted installation
12.	F-USG	Top rail handle
13.	F-FBR-050	Guide for mosquito net
14.	F-FBD-050 L/P	Entry guide for mosquito net
15.	F-M-RZ-080 L/P	Metal handle for the mosquito net
16.	MOS FI 23 1,7	Mosquito net with the Fi 23 1.7 pipe
	MOS FI 23 2,6	Mosquito net with the Fi 23 2.6 pipe
17.	M-RZ-200	Spring of the mosquito net in the external blind
18.	MZZ-010	ABS CZ Slowing system for mosquito net MZW-010 Mounting for the mosquito net pipe
19.	LDM-41x8 CH	Mosquito net bottom lath

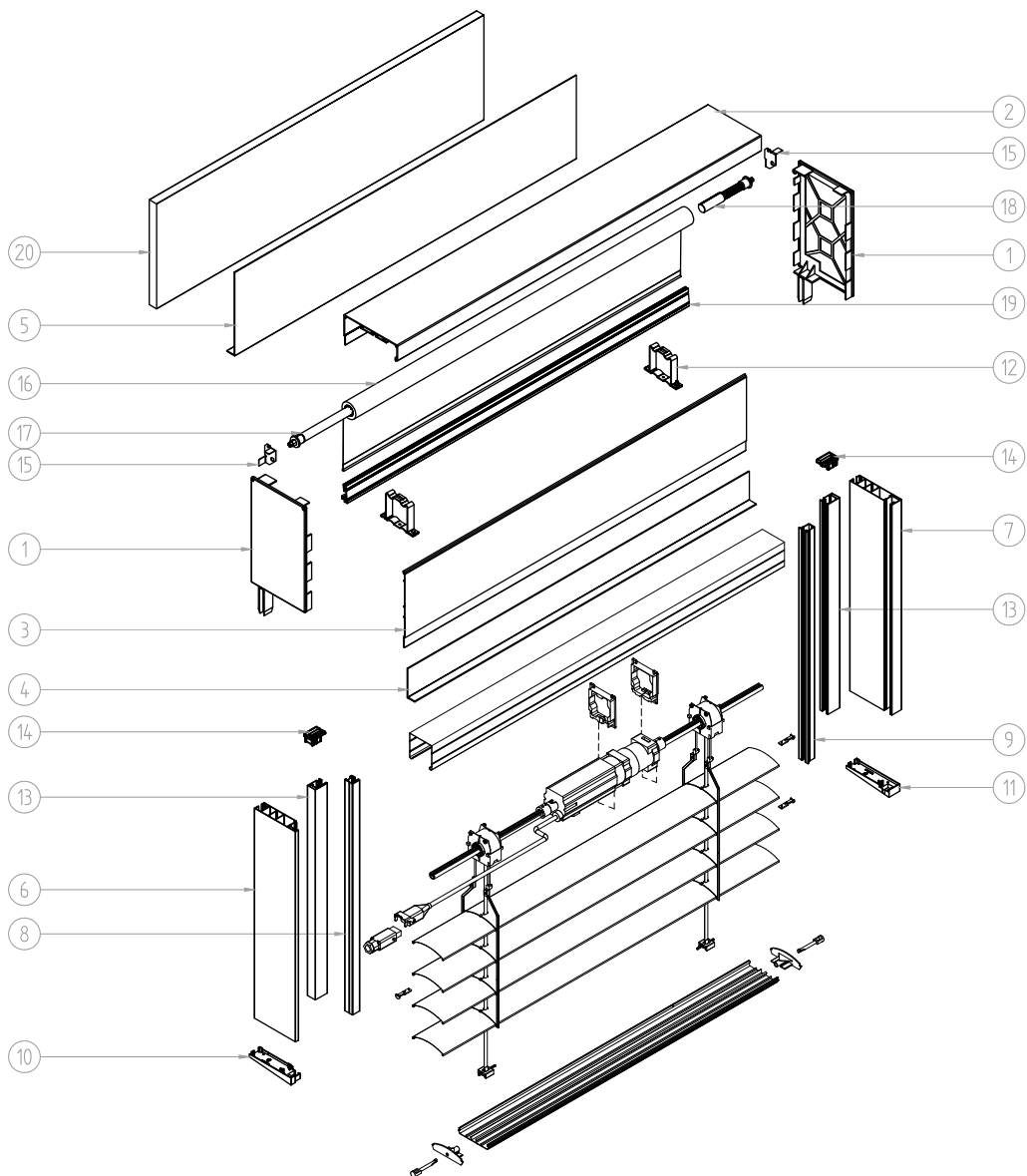
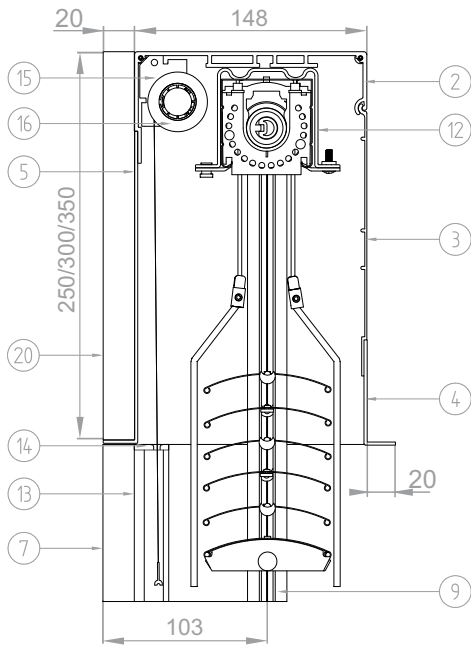
ZF3000® -BX system diagram and parts list, TYPE „B”
with a spacer, C80, Z90



ZF3000® -BX C80, Z90 with a spacer - parts list

1.	F-FBB-250	Side of the box ZF3000-BX 250
	F-FBB-300	Side of the box ZF3000-BX 300
	F-FBB-350	Side of the box ZF3000-BX 350
2.	F-FBS-010	Top profile of the box ZF3000-BX
3.	F-FBS-060	Outer profile of the box ZF3000-BX
4.	F-B15C-BX-6	Safety plate of the box ZF3000-BX 6.5 with a spacer
	F-B15C-BX-11	Safety plate of the box ZF3000-BX 11,5 with a spacer
	F-B15C-BX-16	Safety plate of the box ZF3000-BX 16,5 with a spacer
5.	F-B15C-BX-20	Safety plate of the box ZF3000-BX 250 with a spacer
	F-B15C-BX-25	Safety plate of the box ZF3000-BX 300 with a spacer
	F-B15C-BX-30	Safety plate of the box ZF3000-BX 350 with a spacer
6.	F-FBR-020	Guide adapter with a spacer for external blind
7.	F-FBR-040	Guide for external blind with a spacer for flush-mounted installation
8.	F-PP-20	External blind single guide
9.	F-RSC-340	Guide insert for external blind
10.	F-FBD-020 L/P	Bottom plug of the guide with a spacer
11.	F-FBD-040 L/P	Bottom plug of the guide for flush-mounted installation with a spacer
12.	F-USG	Top rail handle
13.	F-FBW-010	Rear box insulation
14.	LT	Concealed lath

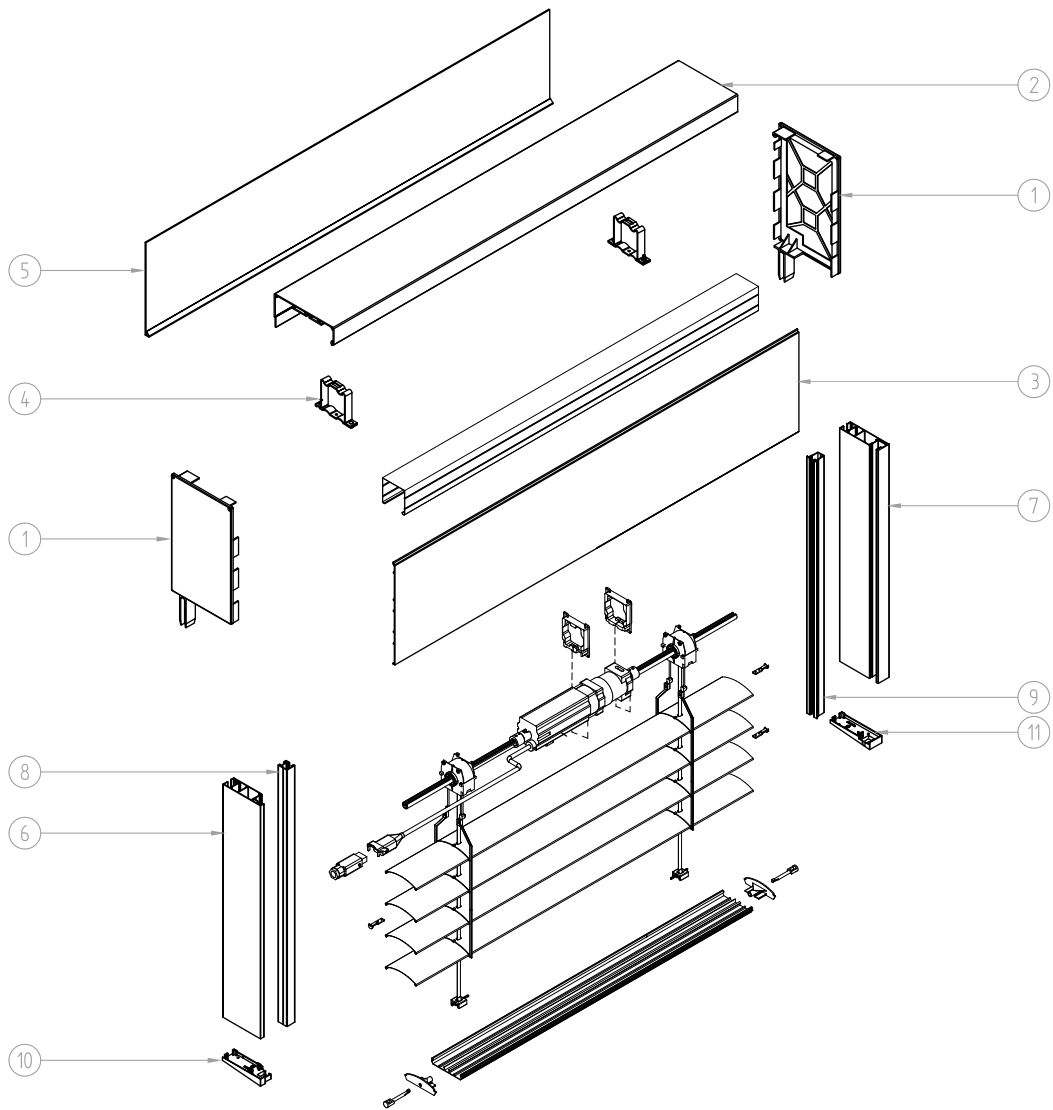
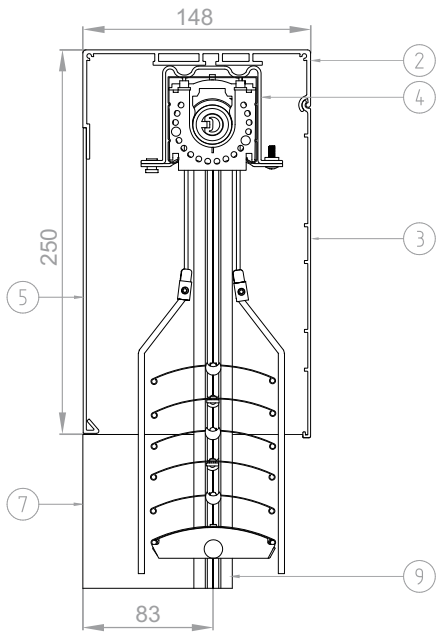
ZF3000® -BX system diagram and parts list, TYPE „B”
with a spacer and mosquito net, C80, Z90



ZF3000® -BX C80, Z90 with a spacer and mosquito net - parts list

1.	F-FBB-250	Side of the box ZF3000-BX 250
	F-FBB-300	Side of the box ZF3000-BX 300
	F-FBB-350	Side of the box ZF3000-BX 350
2.	F-FBS-010	Top profile of the box ZF3000-BX
3.	F-FBS-060	Outer profile of the box ZF3000-BX
4.	F-B15C-BX-6	Safety plate of the box ZF3000-BX 6,5 with a spacer
	F-B15C-BX-11	Safety plate of the box ZF3000-BX 11,5 with a spacer
	F-B15C-BX-16	Safety plate of the box ZF3000-BX 16,5 with a spacer
5.	F-B15C-BX-20	Safety plate of the box ZF3000-BX 250 with a spacer
	F-B15C-BX-25	Safety plate of the box ZF3000-BX 300 with a spacer
	F-B15C-BX-30	Safety plate of the box ZF3000-BX 350 with a spacer
6.	F-FBR-020	Guide adapter with a spacer for external blind
7.	F-FBR-040	Guide for external blind with a spacer for flush-mounted installation
8.	F-PP-20	External blind single guide
9.	F-RSC-340	Guide insert for external blind
10.	F-FBD-020 L/P	Bottom plug of the guide with a spacer
11.	F-FBD-040 L/P	Bottom plug of the guide for flush-mounted installation with a spacer
12.	F-USG	Top rail handle
13.	F-FBR-050	Guide for mosquito net
14.	F-FBD-050 L/P	Entry guide for mosquito net
15.	F-M-RZ-080 L/P	Metal handle for the mosquito net
16.	MOS FI 23 1,7	Mosquito net with the Fi 23 1.7 pipe
	MOS FI 23 2,6	Mosquito net with the Fi 23 2.6 pipe
17.	M-RZ-200	Spring of the mosquito net in the external blind
18.	MZZ-010	ABS CZ Slowing system for mosquito net MZW-010 Mounting for the mosquito net pipe
19.	LDM-41x8 CH	Mosquito net bottom lath
20.	F-FBW-010	Rear box insulation

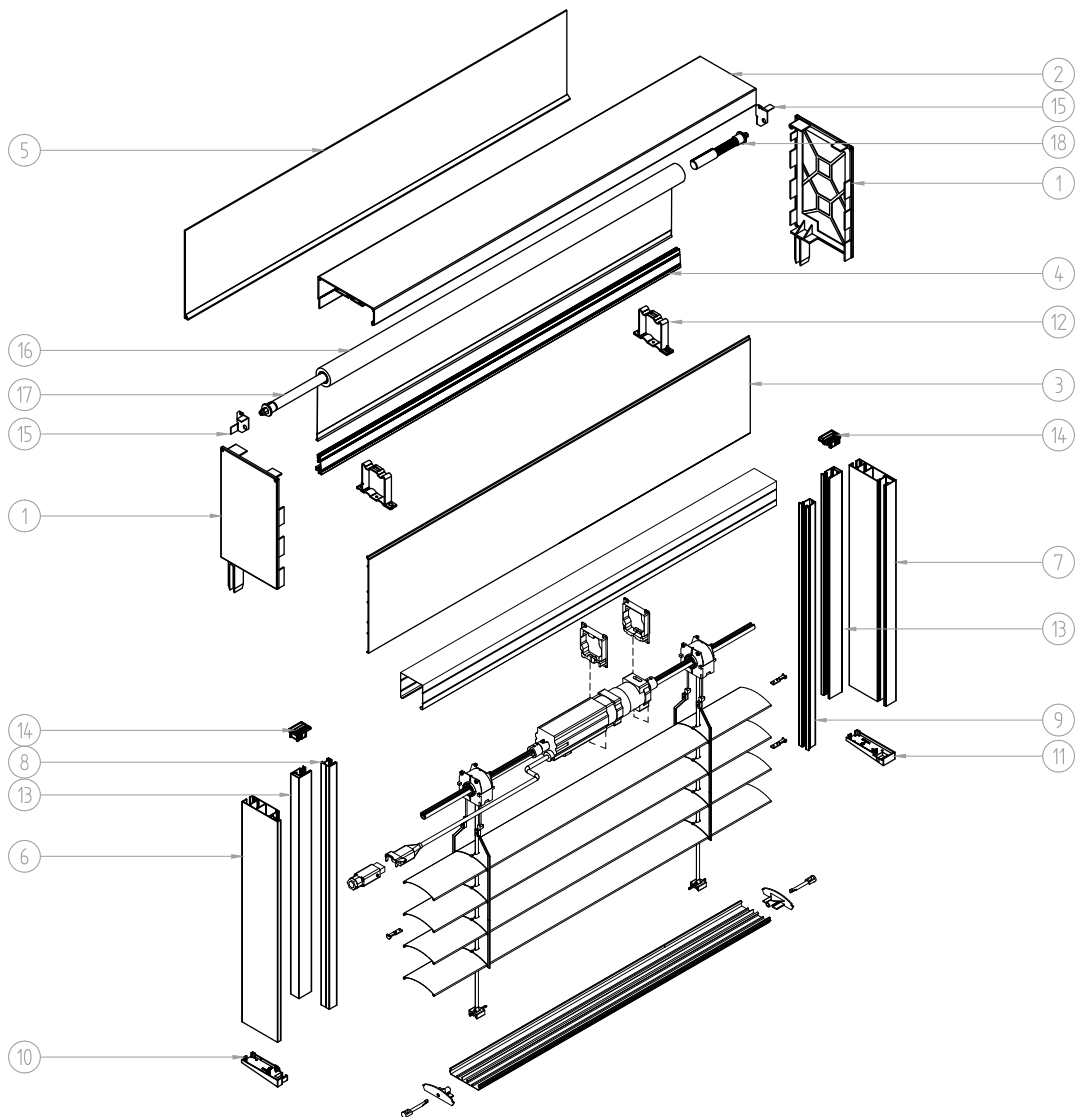
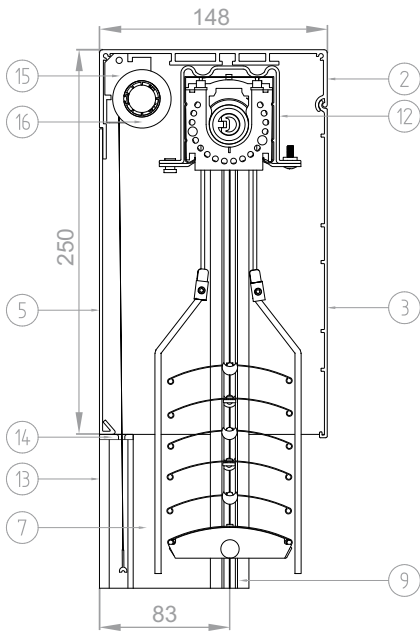
ZF3000®-BX 250 system diagram and parts list, TYPE „C”
on the facade, C80, Z90



ZF3000®-BX 250 on the facade, C80, Z90 - parts list

1.	F-FBB-250	Side of the box ZF3000-BX 250
2.	F-FBS-010	Top profile of the box ZF3000-BX
3.	F-FBS-140	Profile of the non-built-up box ZF3000-BX 250
4.	F-USG	Top rail handle
5.	F-B15B-BX-20	Safety plate of the box ZF3000-BX 250
6.	F-FBR-010	Guide adapter for external blind
7.	F-FBR-030	Guide for external blind for flush-mounted installation
8.	F-PP-20	External blind single guide
9.	F-RSC-340	Guide insert for external blind
10.	F-FBD-010 L/P	Bottom plug of the guide
11.	F-FBD-030 L/P	Bottom plug of the guide for flush-mounted installation

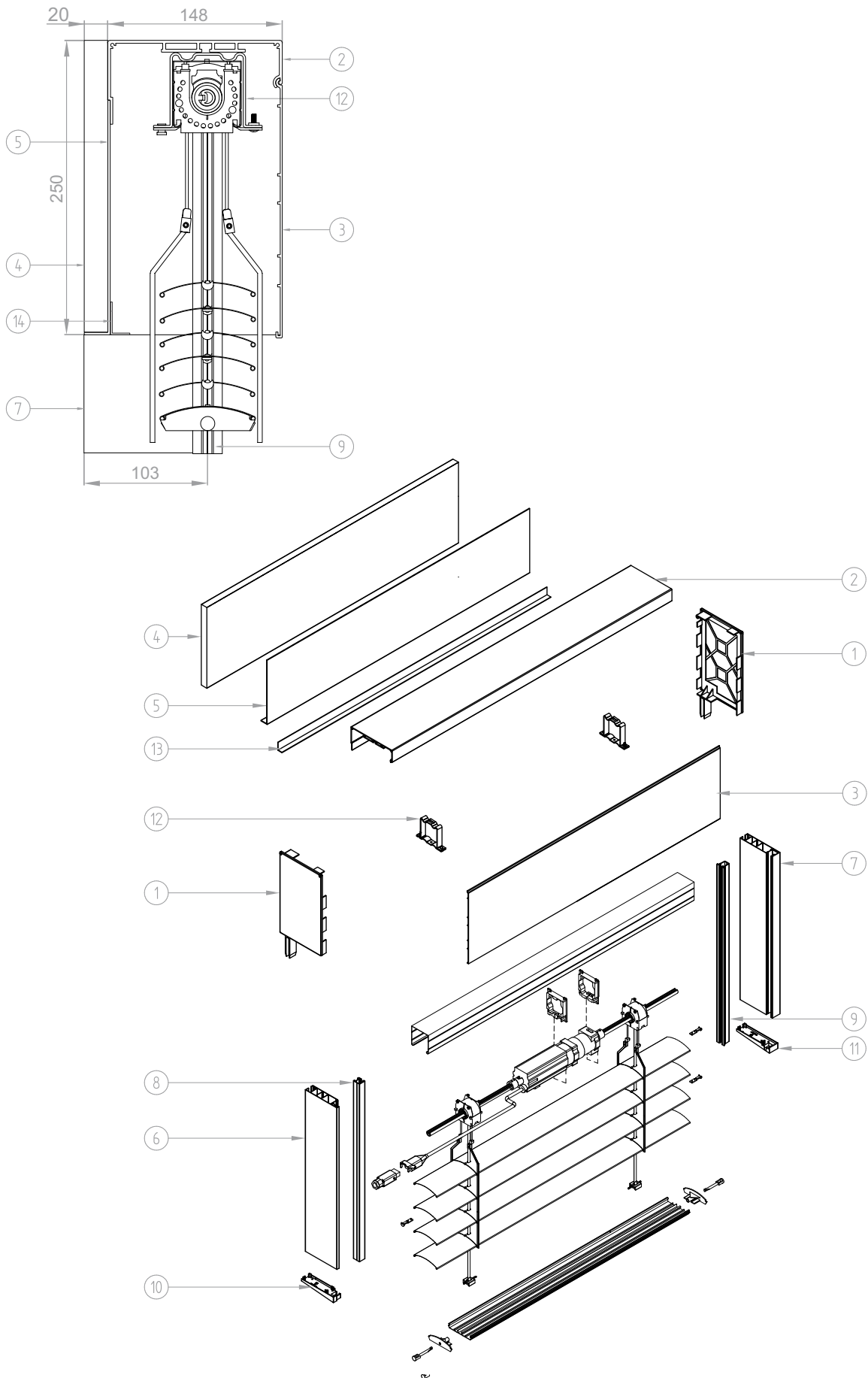
ZF3000®-BX 250 system diagram and parts list, TYPE „C”
on the facade, with mosquito net, C80, Z90



ZF3000®-BX 250 on the facade, C80, Z90, with mosquito net - parts list

1.	F-FBB-250	Side of the box ZF3000-BX 250
2.	F-FBS-010	Top profile of the box ZF3000-BX
3.	F-FBS-140	Profile of the non-built-up box ZF3000-BX 250
4.	LDM-41x8 CH	Mosquito net bottom lath
5.	F-B15B-BX-20	Safety plate of the box ZF3000-BX 250
6.	F-FBR-010	Guide adapter for external blind
7.	F-FBR-030	Guide for external blind for flush-mounted installation
8.	F-PP-20	External blind single guide
9.	F-RSC-340	Guide insert for external blind
10.	F-FBD-010 L/P	Bottom plug of the guide
11.	F-FBD-030 L/P	Bottom plug of the guide for flush-mounted installation
12.	F-USG	Top rail handle
13.	F-FBR-050	Guide for mosquito net
14.	F-FBD-050 L/P	Entry guide for mosquito net
15.	F-M-RZ-080 L/P	Metal handle for the mosquito net
16.	MOS FI 23 1,7	Mosquito net with the Fi 23 1.7 pipe
	MOS FI 23 2,6	Mosquito net with the Fi 23 2.6 pipe
17.	M-RZ-200	Spring of the mosquito net in the external blind
18.	MZZ-010	ABS CZ Slowing system for mosquito net MZW-010 Mounting for the mosquito net pipe

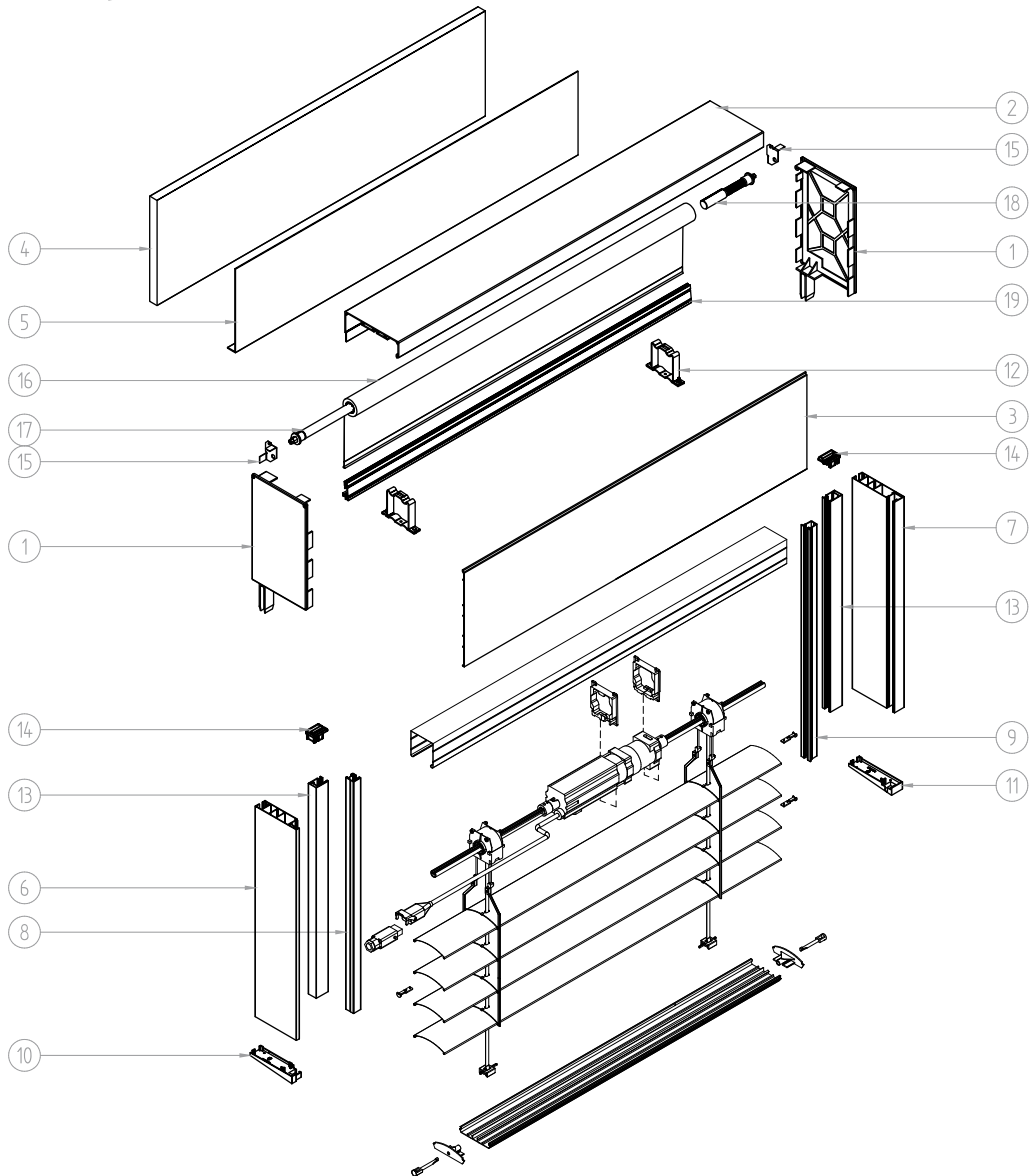
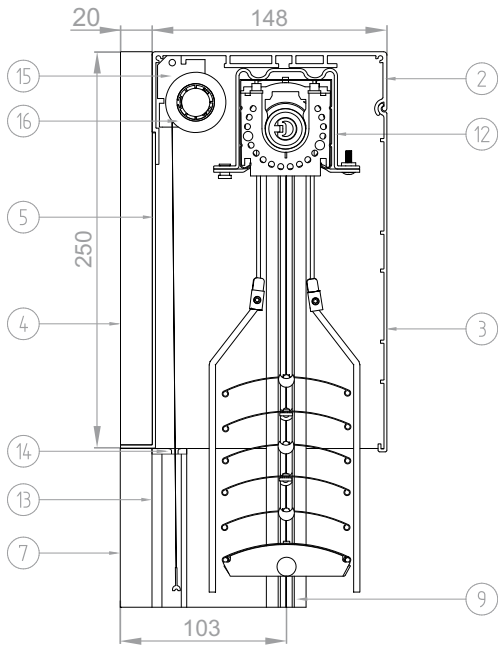
ZF3000®-BX 250 system diagram and parts list, TYPE „D”
on the facade, with a spacer, C80, Z90



ZF3000®-BX 250 on the facade, C80, Z90, with a spacer - parts list

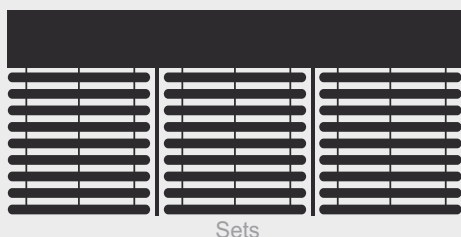
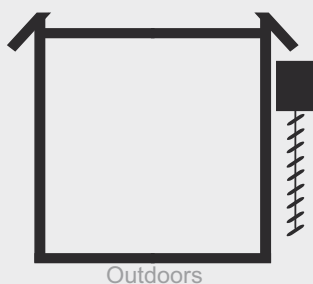
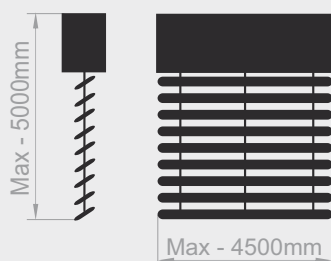
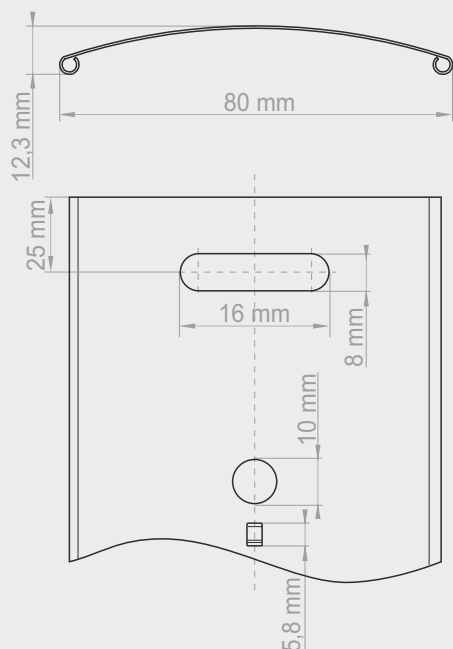
1.	F-FBB-250	Side of the box ZF3000-BX 250
2.	F-FBS-010	Top profile of the box ZF3000-BX
3.	F-FBS-140	Profile of the non-built-up box ZF3000-BX 250
4.	F-FBW-010	Rear box insulation
5.	F-B15C-BX-20	Safety plate of the box ZF3000-BX 220 with a spacer
6.	F-FBR-020	Guide adapter with a spacer for external blind
7.	F-FBR-040	Guide for external blind with a spacer for flush-mounted installation
8.	F-PP-20	External blind single guide
9.	F-RSC-340	Guide insert for external blind
10.	F-FBD-020 L/P	Bottom plug of the guide with a spacer
11.	F-FBD-040 L/P	Bottom plug of the guide for flush-mounted installation with a spacer
12.	F-USG	Top rail handle
13.	LT	Concealed lath

ZF3000®-BX 250 system diagram and parts list, TYPE „D”
on the facade, with a spacer and mosquito net, C80, Z90



ZF3000®-BX 250 on the facade, C80, Z90, with a spacer and mosquito net - parts list

1.	F-FBB-250	Side of the box ZF3000-BX 250
2.	F-FBS-010	Top profile of the box ZF3000-BX
3.	F-FBS-140	Profile of the non-built-up box ZF3000-BX 250
4.	FBW-010	Rear box insulation
5.	F-B15C-BX-20	Safety plate of the box ZF3000-BX 250 with a spacer
6.	F-FBR-020	Guide adapter with a spacer for external blind
7.	F-FBR-040	Guide for external blind with a spacer for flush-mounted installation
8.	F-PP-20	External blind single guide
9.	F-RSC-340	Guide insert for external blind
10.	F-FBD-020 L/P	Bottom plug of the guide with a spacer
11.	F-FBD-040 L/P	Bottom plug of the guide for flush-mounted installation with a spacer
12.	F-USG	Top rail handle
13.	F-FBR-050	Guide for mosquito net
14.	F-FBD-050 L/P	Entry guide for mosquito net
15.	F-M-RZ-080 L/P	Metal handle for the mosquito net
16.	MOS FI 23 1,7	Mosquito net with the Fi 23 1.7 pipe
	MOS FI 23 2,6	Mosquito net with the Fi 23 2.6 pipe
17.	M-RZ-200	Spring of the mosquito net in the external blind
18.	MZZ-010	ABS CZ Slowing system for mosquito net MZW-010 Mounting for the mosquito net pipe
19.	LDM-41x8 CH	Mosquito net bottom lath



C80 slat

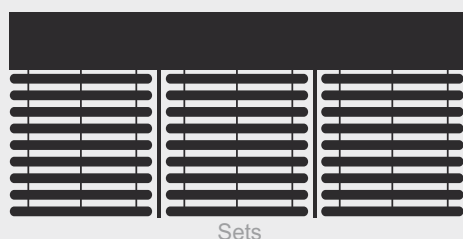
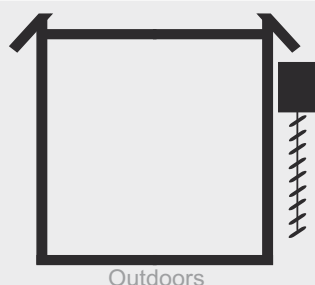
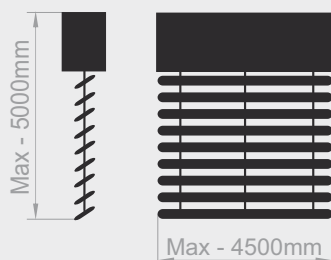
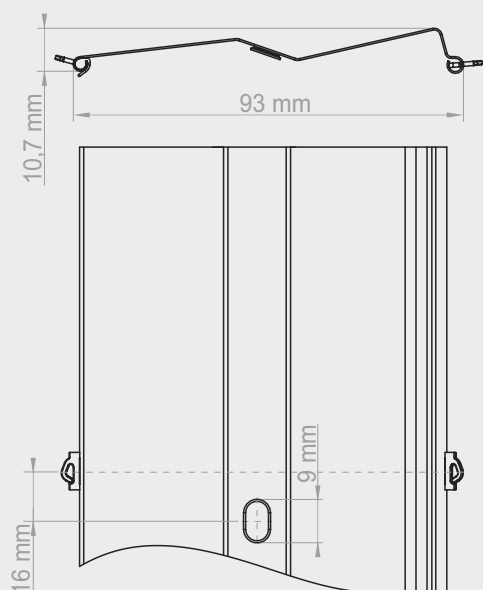
Properties:

- Slats with a C-shaped cross-section made of aluminium sheet metal 0.4 mm thick.
- Possibility of using extruded aluminium guides or a cord guide of the highest quality stainless steel with a polyamide braid.
- Free adjustment of light intensity thanks to the smooth control of the slat inclination angle.
- All textile elements made of polyester are resistant to stretching, rubbing and UV radiation.
- Possibility of flush-mounted installation.
- Possibility to create any number of modules.
- Possibility of equipping with a manual (crank) or electric drive.

Total height of external blind [mm]	Total height of the blind package [mm]
	C80
600 - 1200	190
1201 - 1400	200
1401 - 1600	220
1601 - 1800	230
1801 - 2000	250
2001 - 2200	260
2201 - 2400	270
2401 - 2600	280
2601 - 2800	300
2801 - 3000	310
3001 - 3200	320
3201 - 3400	340
3401 - 3600	350
3601 - 3800	370
3801 - 4000	380
4001 - 4200	400
4201 - 4400	410
4401 - 4600	430
4601 - 4800	440
4801 - 5000	450

Shape of the slats	C
Maximum width	4500 mm
Maximum height	5000 mm
Maximum area of blinds	16m²
Electric drive	YES
Manual drive	YES
Installation - externally	YES
Installation - sets	YES

All elements of the blinds such as slats, safety plates, side end caps for safety plates, connectors for safety plates, guides and handles for guides are available in the following colours: white (RAL 9016), beige (VSR 240), light grey (RAL 7035), black (RAL 9005), silver (RAL 9006), grey aluminium (RAL 9007), anthracite (RAL 7016), steel anthracite (DB 703), olive (VSR 780), brown (RAL 8014).



Z90 slat

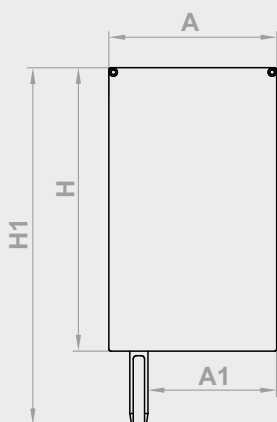
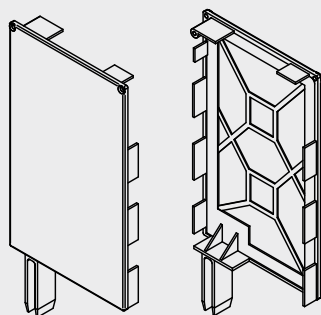
Properties:

- Slats with a Z-shaped cross-section made of aluminium sheet metal 0.4 mm thick.
- Possibility of using extruded aluminium guides or a cord guide of the highest quality stainless steel with a polyamide braid.
- Free adjustment of light intensity thanks to the smooth control of the slat inclination angle.
- All textile elements made of polyester are resistant to stretching, rubbing and UV radiation.
- Possibility of flush-mounted installation.
- Possibility to create any number of modules.
- Possibility of equipping with a manual (crank) or electric drive.

Total height of external blind [mm]	Total height of the blind package [mm]
	Z90
600 - 1000	160
1001 - 1200	170
1201 - 1400	180
1401 - 1600	200
1601 - 1800	210
1801 - 2000	220
2001 - 2200	230
2201 - 2400	240
2401 - 2600	250
2601 - 2800	260
2801 - 3000	270
3001 - 3200	280
3201 - 3400	290
3401 - 3600	300
3601 - 3800	310
3801 - 4000	320
4001 - 4200	330
4201 - 4400	340
4401 - 4600	350
4601 - 4800	360
4801 - 5000	370

Shape of the slats	Z
Maximum width	4500 mm
Maximum height	5000 mm
Maximum area of blinds	16m ²
Electric drive	YES
Manual drive	YES
Installation - externally	YES
Installation - sets	YES

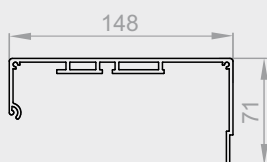
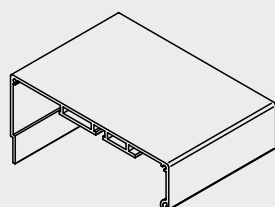
All elements of the blinds such as slats, safety plates, side end caps for safety plates, connectors for safety plates, guides and handles for guides are available in the following colours: white (RAL 9016), beige (VSR 240), light grey (RAL 7035), black (RAL 9005), silver (RAL 9006), grey aluminium (RAL 9007), anthracite (RAL 7016), steel anthracite (DB 703), olive (VSR 780), brown (RAL 8014).



F-FBB-250 L/R

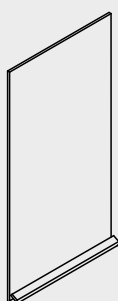
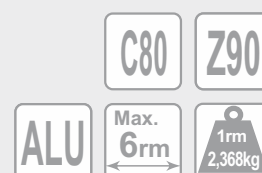
Side of the box ZF3000®-BX.

	A (mm)	A1 (mm)	H (mm)	H1 (mm)
F-FBB-250	148	113,5	250	315
F-FBB-300	148	113,5	300	365
F-FBB-350	148	113,5	350	415



FBS-010

Top profile of the box ZF3000®-BX.

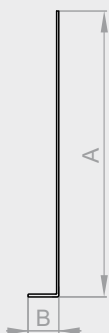


F-B15B-BX

Safety plate of the box ZF3000®-BX.

	A (mm)
F-B15B-BX-20	200
F-B15B-BX-25	250
F-B15B-BX-30	300





F-B15C-BX

Safety plate of the box ZF3000®-BX with a spacer.

	A (mm)	B (mm)
F-B15C-BX-6	65	21,5
F-B15C-BX-11	115	21,5
F-B15C-BX-16	165	21,5
F-B15C-BX-20	200	20
F-B15C-BX-25	250	20
F-B15C-BX-30	300	20



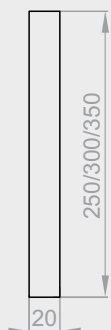
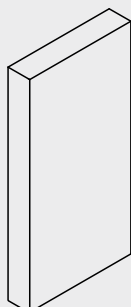
F-FBS-140

Profile of the non-built-up box ZF3000®-BX 250.



F-FBS-060

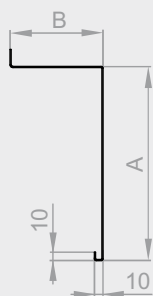
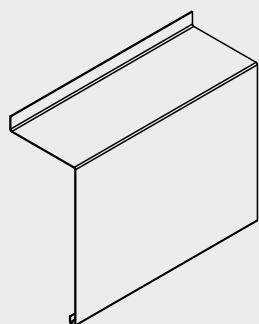
Outer profile of the box ZF3000®-BX.



F-FBW-010

Rear box insulation.





F-B15A-12
F-B15A-15*

Safety plate A to C80 type.

F-B15A-14
F-B15A-15*

Safety plate A to Z90 type.

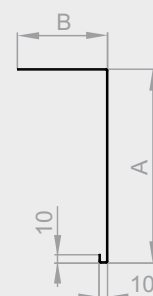
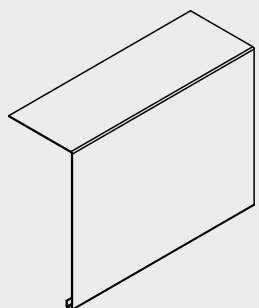
	A (mm)	B (mm)			
		C80	Z90	C80*	Z90*
F-B15A-12/14/15-20	200	124	144	153	153
F-B15A-12/14/15-25	250	124	144	153	153
F-B15A-12/14/15-30	300	124	144	153	153
F-B15A-12/14/15-34	340	124	144	153	153
F-B15A-12/14/15-37	370	124	144	153	153
F-B15A-12/14/15-44	440	124	-	153	-
F-B15A-12/14/15-48	480	124	-	153	-

* - safety plates applied with the FBR-010 and FBR-030 guides

Z90

C80

ALU



F-B15B-12
F-B15B-15*

Safety plate B to C80 type.

F-B15B-14
F-B15B-15*

Safety plate B to Z90 type.

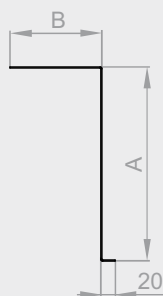
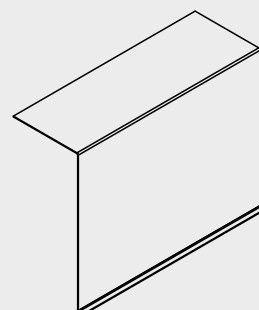
	A (mm)	B (mm)			
		C80	Z90	C80*	Z90*
F-B15B-12/14/15-20	200	124	144	153	153
F-B15B-12/14/15-25	250	124	144	153	153
F-B15B-12/14/15-30	300	124	144	153	153
F-B15B-12/14/15-34	340	124	144	153	153
F-B15B-12/14/15-37	370	124	144	153	153
F-B15B-12/14/15-44	440	124	-	153	-
F-B15B-12/14/15-48	480	124	-	153	-

* - safety plates applied with the FBR-010 and FBR-030 guides

Z90

C80

ALU



F-B15C-12
F-B15C-15*

Safety plate C to C80 type.

F-B15C-14
F-B15C-15*

Safety plate C to Z90 type.

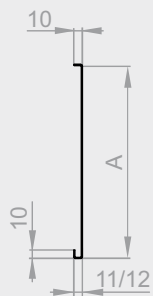
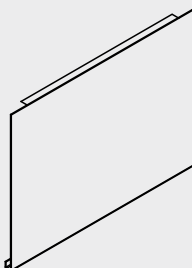
	A (mm)	B (mm)			
		C80	Z90	C80*	Z90*
F-B15C-12/14/15-20	200	124	144	153	153
F-B15C-12/14/15-25	250	124	144	153	153
F-B15C-12/14/15-30	300	124	144	153	153
F-B15C-12/14/15-34	340	124	144	153	153
F-B15C-12/14/15-37	370	124	144	153	153
F-B15C-12/14/15-44	440	124	-	153	-
F-B15C-12/14/15-48	480	124	-	153	-

* - safety plates applied with the FBR-010 and FBR-030 guides

Z90

C80

ALU



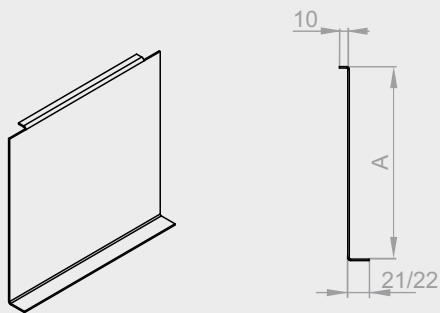
F-B15D

Safety plate D to C80, Z90 type.

	A (mm)
F-B15D-20	200
F-B15D-25	250
F-B15D-30	300
F-B15D-34	340
F-B15D-37	370
F-B15D-44	440
F-B15D-48	480

C80

Z90 ALU

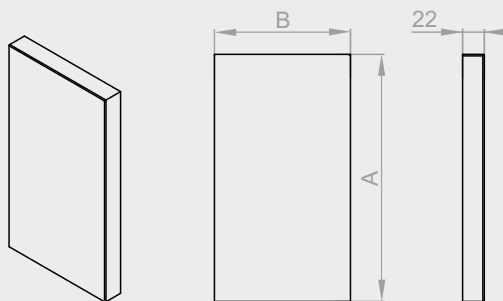


F-B15E*

Safety plate E to C80, Z90 type.

	A (mm)
F-B15E-20	196
F-B15E-25	246
F-B15E-30	296
F-B15E-34	336
F-B15E-37	366
F-B15E-44	436
F-B15E-48	476

* - safety plates applied with the FBR-020 and FBR-040 guides



F-ZBB-12

F-ZBB-15*

Side end cap for C80 safety plate.

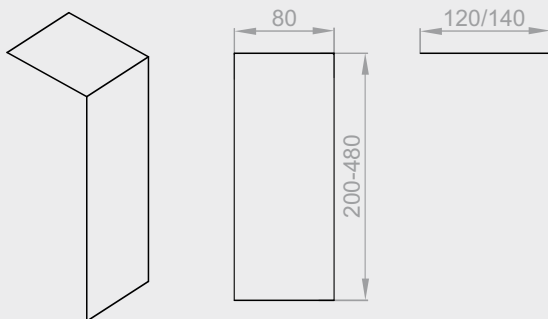
F-ZBB-14

F-ZBB-15*

Side end cap for Z90 safety plate.

	A (mm)	B (mm)			
		C80	Z90	C80*	Z90*
F-ZBB-12/14/15-20	200	120	140	152	152
F-ZBB-12/14/15-25	250	120	140	152	152
F-ZBB-12/14/15-30	300	120	140	152	152
F-ZBB-12/14/15-34	340	120	140	152	152
F-ZBB-12/14/15-37	370	120	140	152	152
F-ZBB-12/14/15-44	440	120	-	152	-
F-ZBB-12/14/15-48	480	120	-	152	-

* - side end cap applied with the FBR-010 and FBR-030 guides



F-LB-12

Safety plate connector C80.

F-LB-14

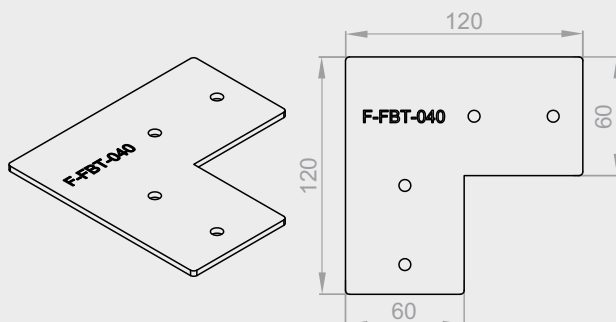
Safety plate connector Z90.

F-LB-15

Safety plate connector for FB15A/B/C-15
C80, Z90

F-LB

Safety plate connector for type D.



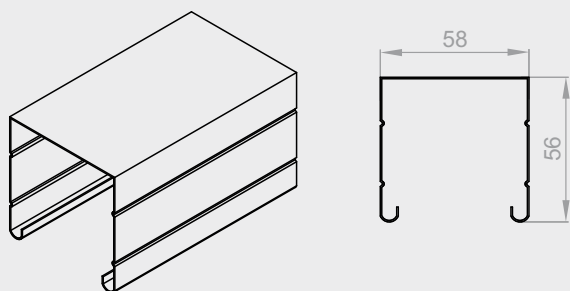
F-FBT-040

60mm internal angle connector to FBS-010.



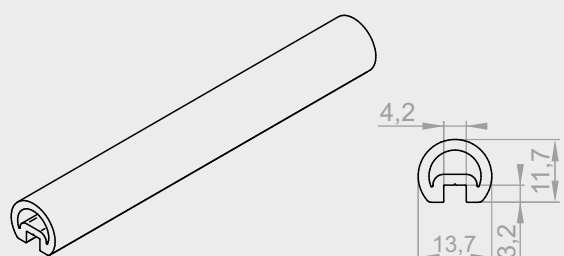
ZF3000® external blind

List of elements



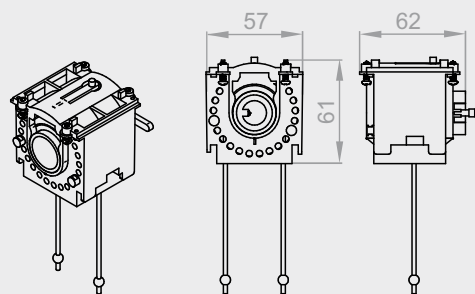
F-RN

Head rail.



F-R-060

External blind roller pipe.

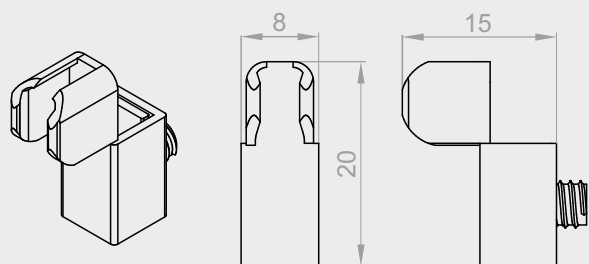


F-MZP-C80

C80 roller and lifting mechanism.

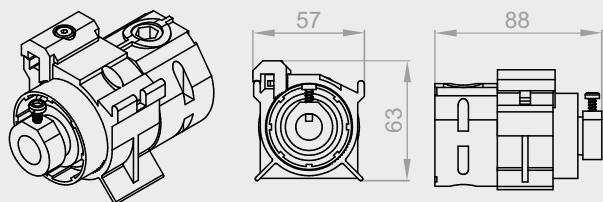
F-MZP-Z90

Z90 roller and lifting mechanism.



F-LD

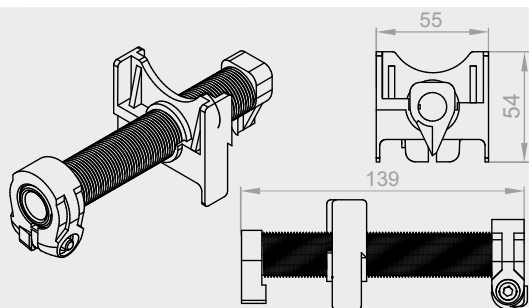
Ladder and ball chain connector.



F-PK

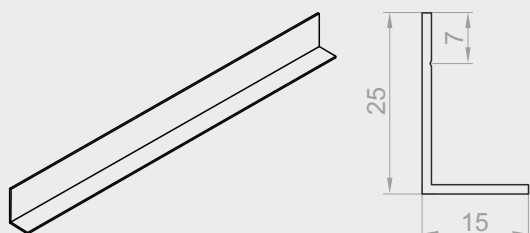
Crank gear.





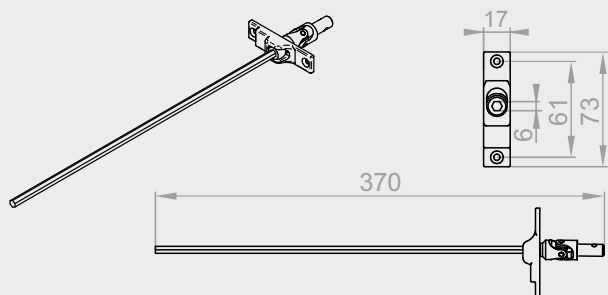
F-KR

Gear limit switch for the external blind.



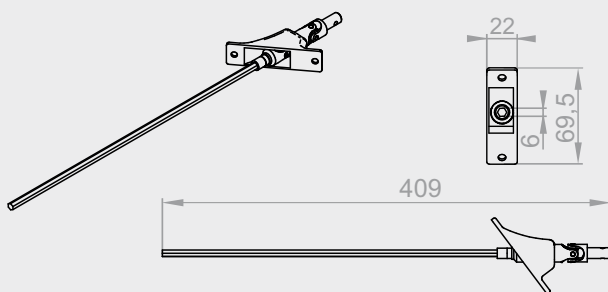
LT

Concealed lath.



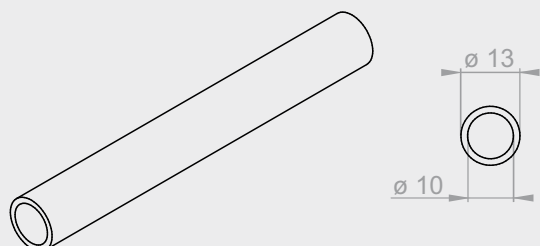
F-PZ-45

Rod guide 45, 6KT 6 mm.



F-PZ-90

Rod guide 90, 6KT 6 mm.

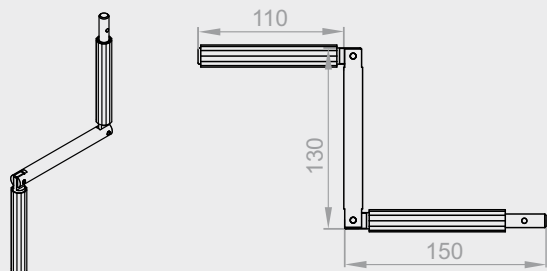


F-PR-10

Aluminium rod.

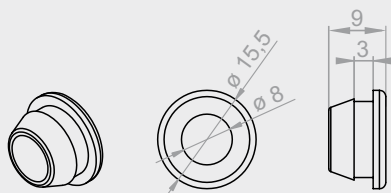


ZF3000® external blind List of elements



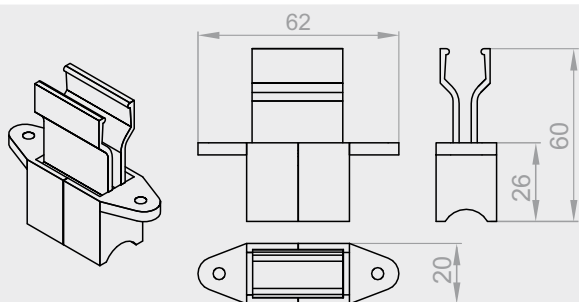
F-KL

Aluminium articulated crank.



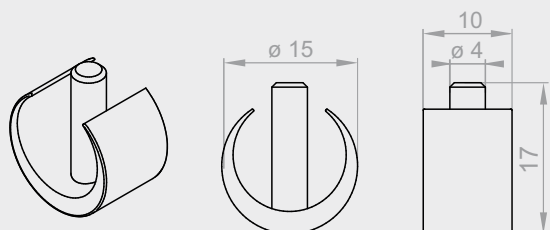
F-FBD-060

Cable grommet 3mm, $\varnothing 8$ of the box ZF3000®-BX.



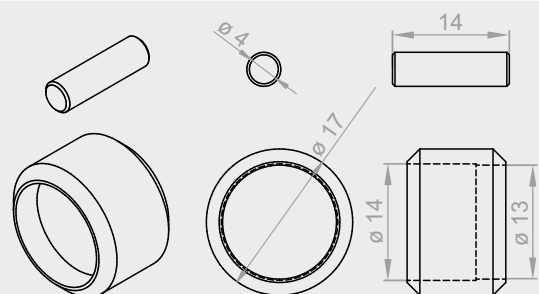
F-KK

Crank clip.



F-K-15

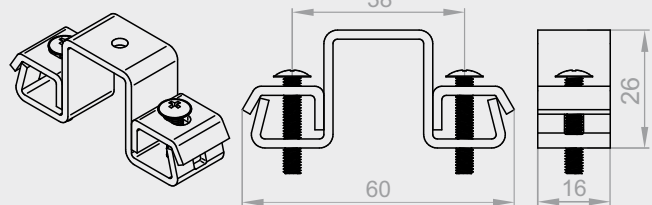
Grey dowel pin with a half-ring.



F-P-17

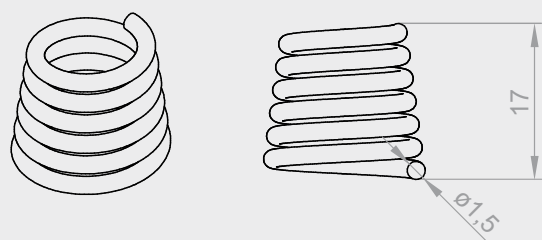
Round grey ring with a dowel pin.





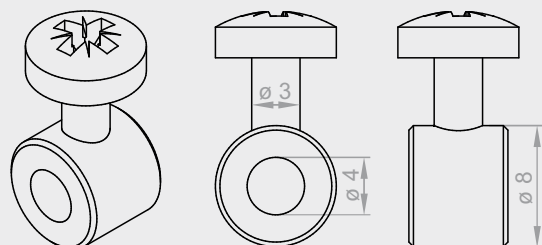
F-UPLG

Cord guide handle attached to the top rail.



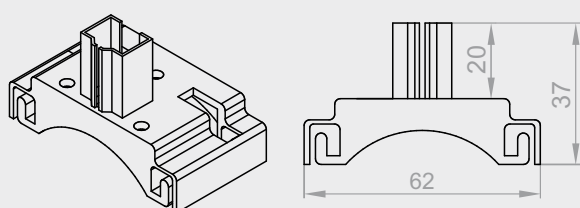
F-SPR

Cord guide spring.



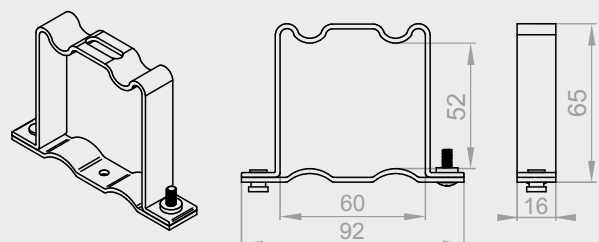
F-PS

Stop ring for the cord guide.



F-UPG

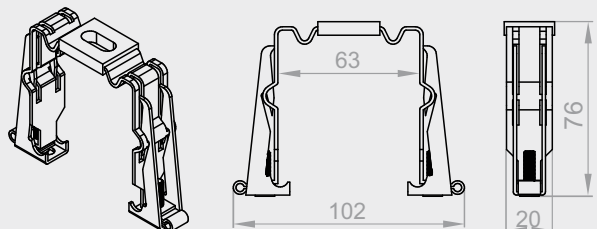
Guide handle in the top rail.



F-USG

Top rail handle.



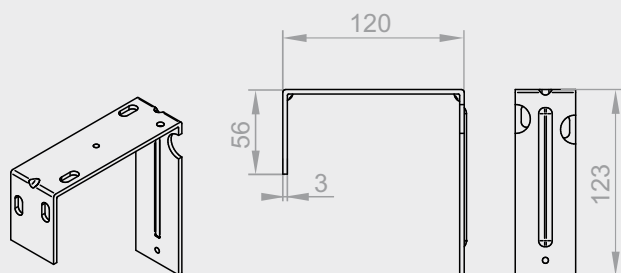


F-USG-A

Top rail automatic handle.

C80

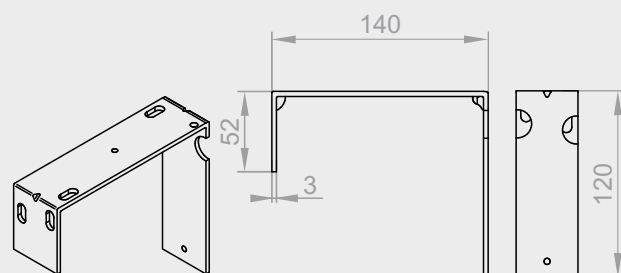
Z90 STEEL



F-US-120

120 mm wall handle.

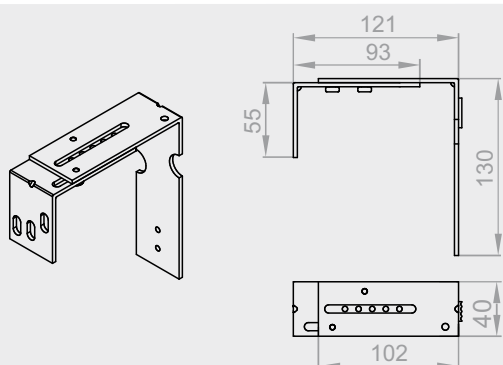
C80 STEEL



F-US-140

140 mm wall handle.

Z90 STEEL

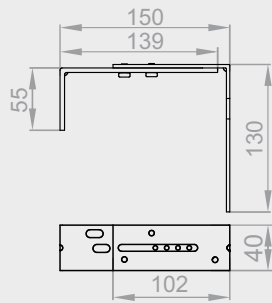
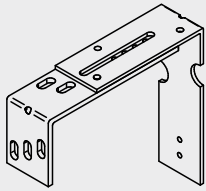


F-US-100-150

Adjustable wall handle for safety plate
100-150 mm.

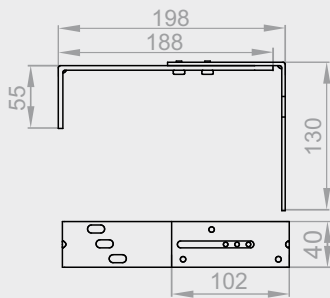
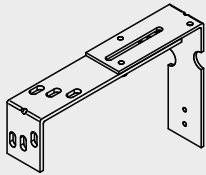
C80

Z90 STEEL



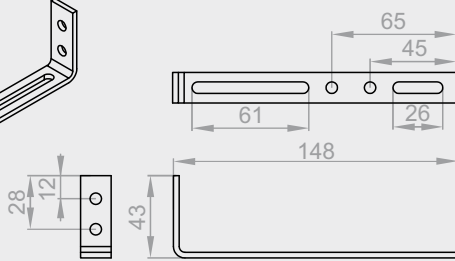
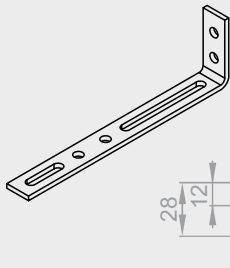
F-US-150-200

Adjustable wall handle for safety plate
150-200 mm.



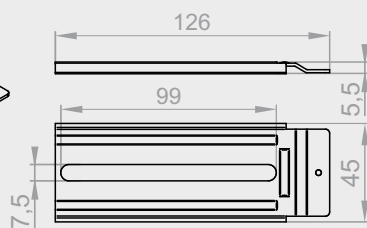
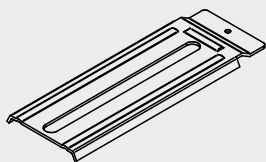
F-US-200-250

Adjustable wall handle for safety plate
200-250 mm.



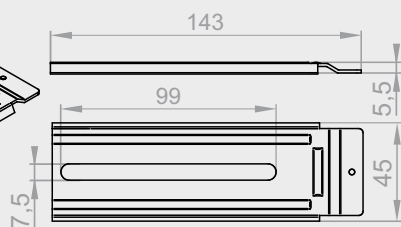
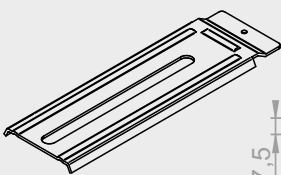
F-FBT-030

Wall mounting bracket.



F-PBO-126

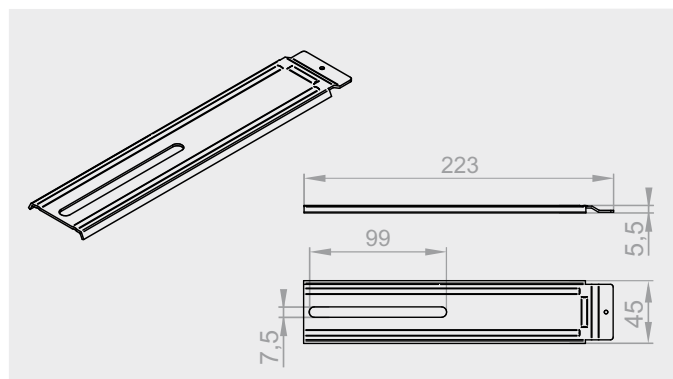
Safety plate extension 126 mm
for sheets 130-173 mm.



F-PBO-143

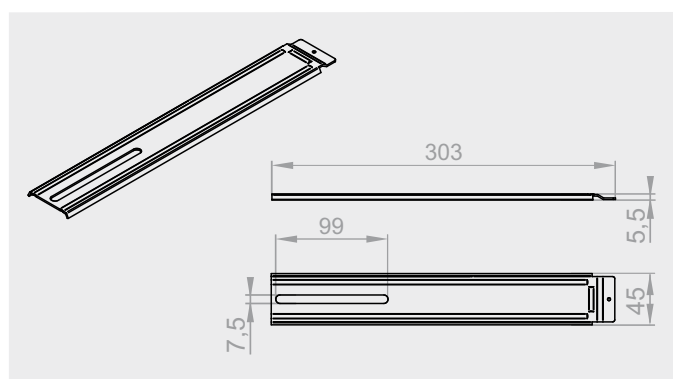
Safety plate extension 143 mm
for sheets 174-253 mm.





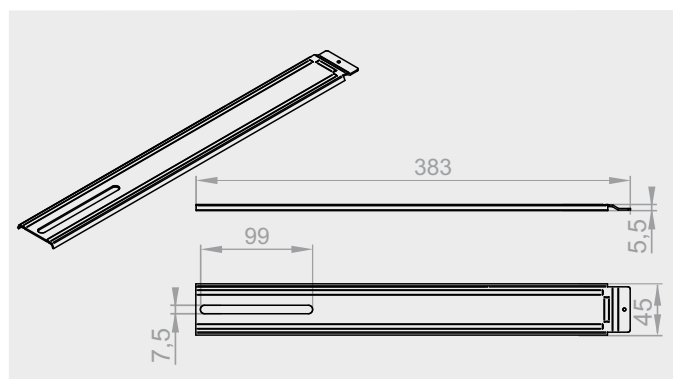
F-PBO-223

Safety plate extension 223 mm
for sheets 254-330 mm



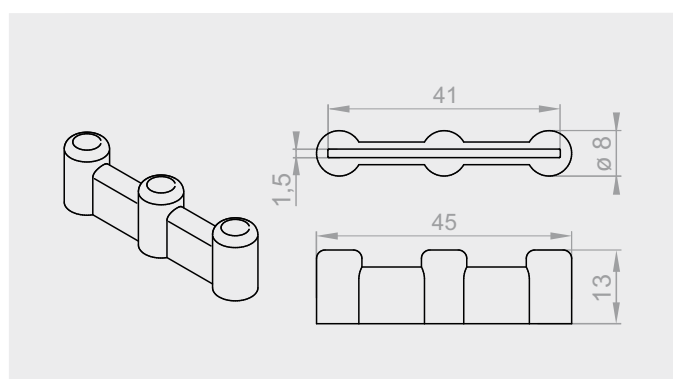
F-PBO-303

Safety plate extension 303 mm
for sheets 331-412 mm.



F-PBO-383

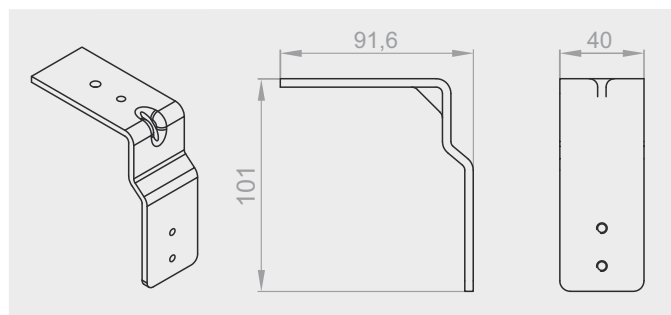
Safety plate extension 383 mm
for sheets 413-480 mm.



F-WP-45

Extension silencing element.





F-WPZ

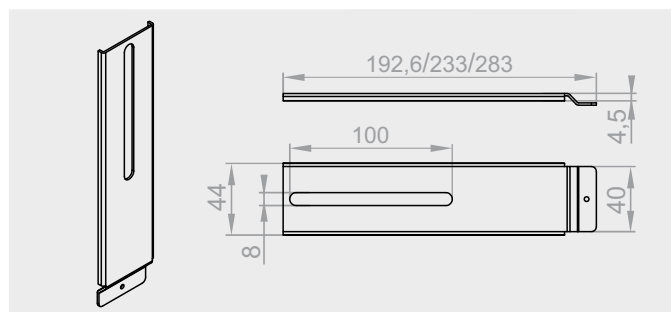
Bracket for the box ZF3000®-BX outer cover.

C80

Z90

STAL

Complete with M5x8 screw



F-PWPZ-250

Bracket extension for the box ZF3000®-BX outer cover SK250.

F-PWPZ-300

Bracket extension for the box ZF3000®-BX outer cover SK300.

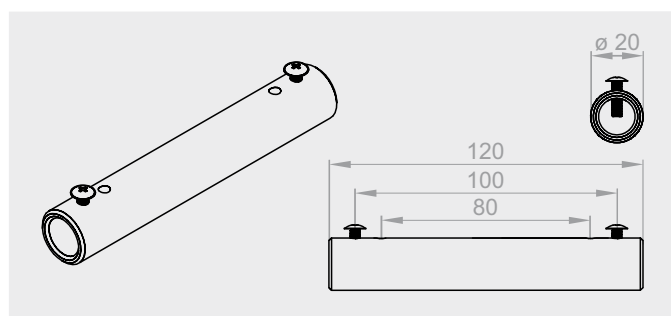
F-PWPZ-350

Bracket extension for the box ZF3000®-BX outer cover SK350.

C80

Z90

STAL



F-WN

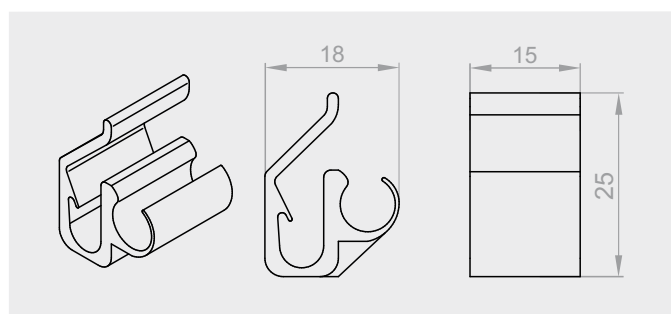
Drive shaft connector.

C80

1pc
0,051kg

Z90

ALU



F-UK

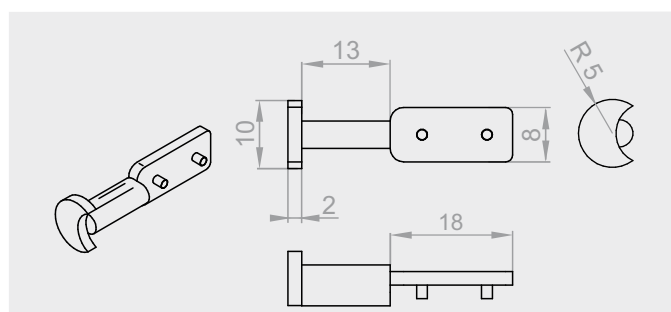
Cable holder for external blind.

C80

1pc
0,002kg

Z90

PVC



F-T-C80

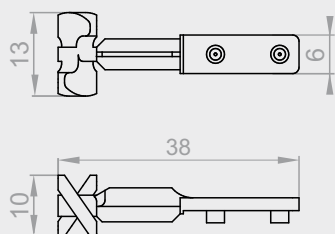
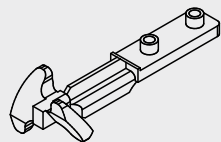
Pin for C80 external blind slats.

1pc
0,004kg

C80

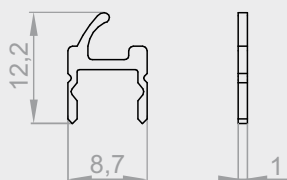
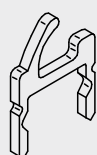
STEEL

ZF3000® external blind List of elements



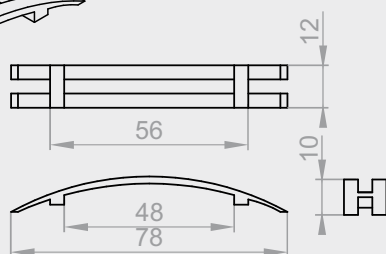
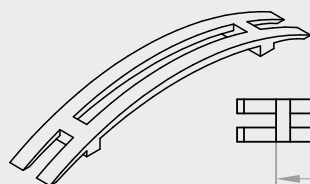
F-T-Z90

Pin for Z90 external blind slats.



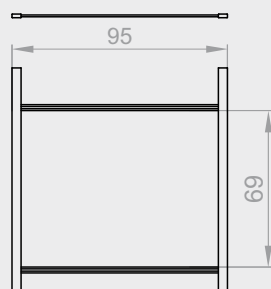
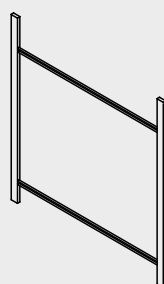
F-HL-Z90

Hooks for Z90 external blind slats.



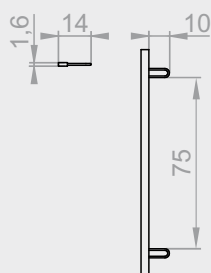
F-KL-C80

Slat clip C80.



F-DR-C80-XX

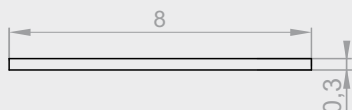
Ladder for the C80 external blind
available in colours (XX): 03 - grey, 20 - black



F-DR-Z90-XX

Ladder for external blinds (Z90)
available in colours (XX): 03 - grey, 20 - black



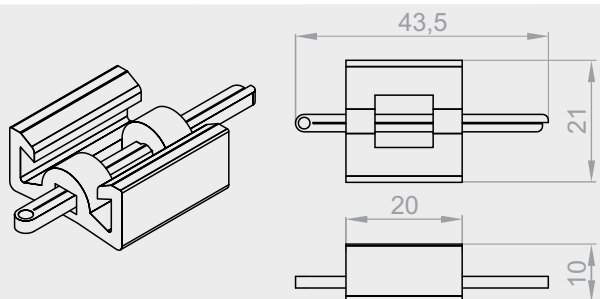


F-TN-06-XX

Winding tape for C80 and Z90 external blind available in colours (XX): 03 - grey, 20 - black.

C80

Z90



F-KT-20

Winding tape clip.

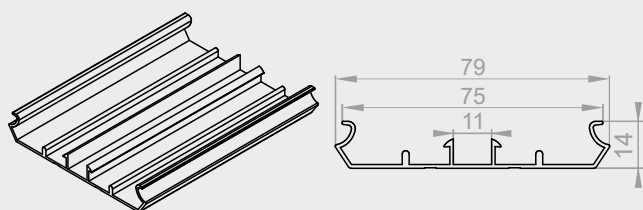
C80

1pc
0,003kg

Z90

ALU

STEEL



F-LD-C80

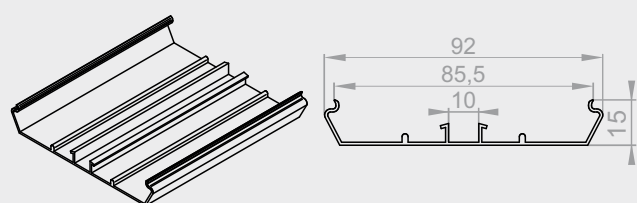
Bottom lath for the C80 external blind 6 m long.

C80

1rm
0,37kg

ALU

Max.
6rm



F-LD-Z90

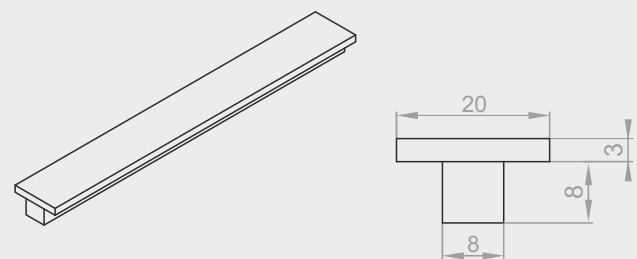
Bottom lath for the Z90 external blind 6 m long.

Z90

1rm
0,48kg

ALU

Max.
6rm



F-OB-LDZF

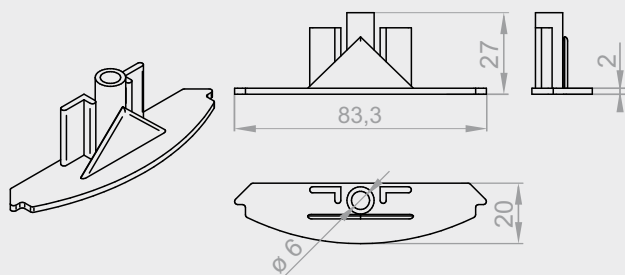
Bottom lath weight.

Z90

1rm
0,15kg

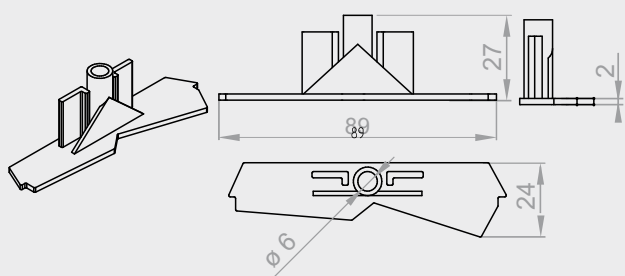
C80

STAL



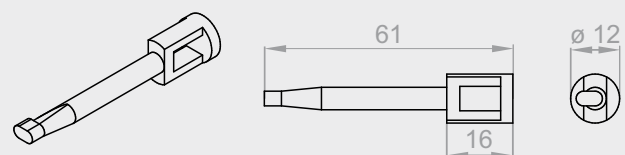
F-ZLD-C80 XX

Bottom lath plug for the C80 external blind
available in colours (XX): 03 - grey, 20 - black.



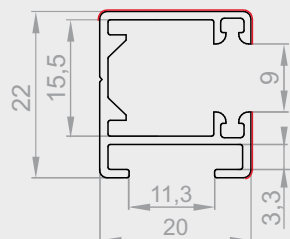
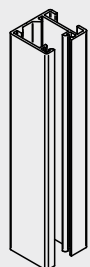
F-ZLD-Z90 XX

Bottom lath plug for the Z90 external blind
available in colours (XX): 03 - grey, 20 - black.



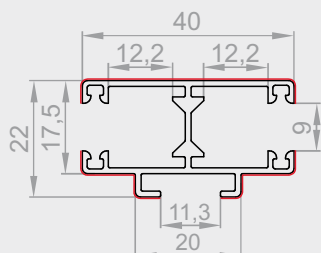
F-TLD XX

Bottom lath pin for the external blind
available in colours (XX): 03 - grey, 20 - black.



F-PP-20

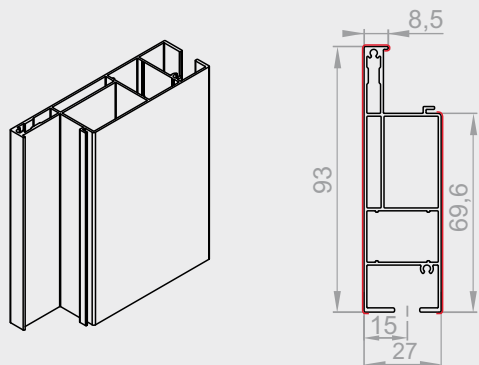
External blind single guide.



F-PPD-40

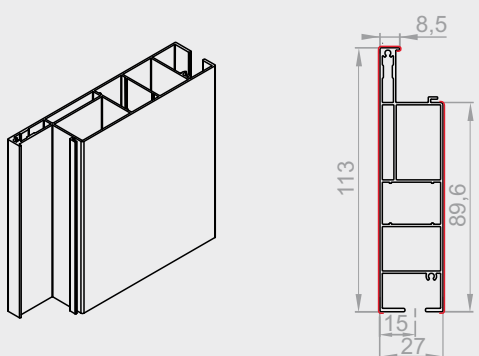
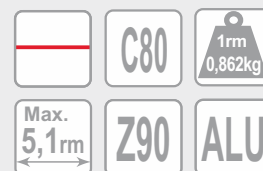
External blind double guide.





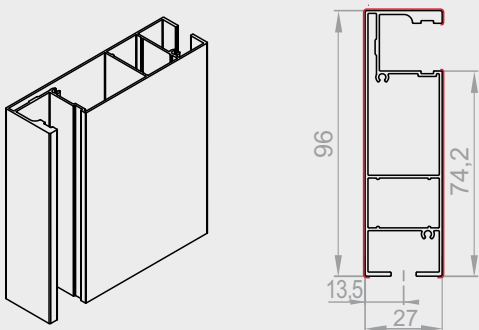
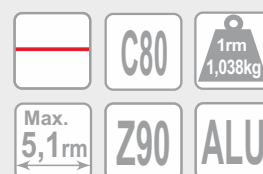
F-FBR-010

Guide adapter for external blind.



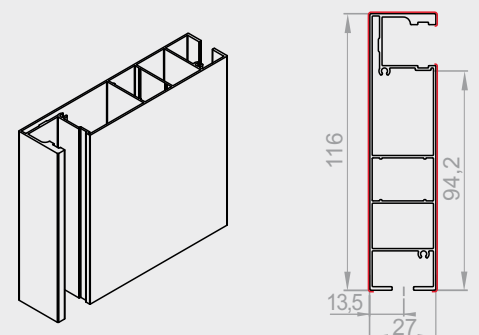
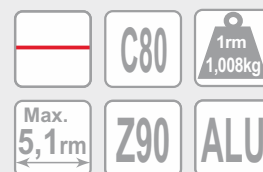
F-FBR-020

Guide adapter for external blind with a spacer.



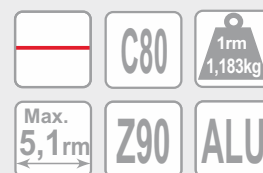
F-FBR-030

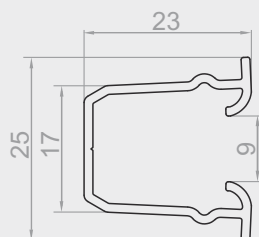
Guide for external blind for flush-mounted installation.



F-FBR-040

Guide for external blind for flush-mounted installation with a spacer.





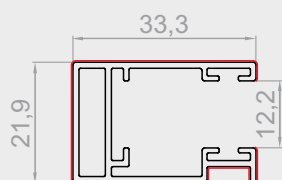
F-RSC-340

Insert guide for external blinds.

Max.
5,1rm

PVC

1rm
0,169kg



F-FBR-050

Guide for mosquito net in the ZF3000®-BX.



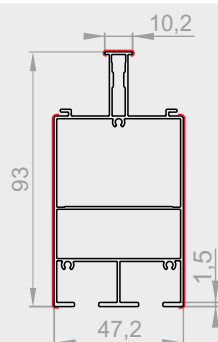
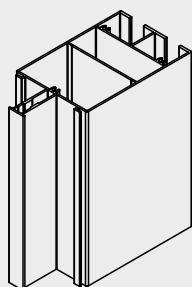
C80

1rm
0,398kg

Max.
6rm

Z90

ALU



F-FBR-070

Double guide adapter.



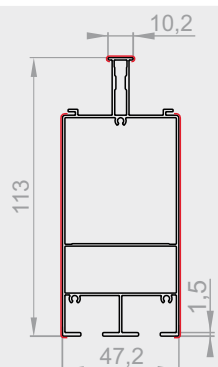
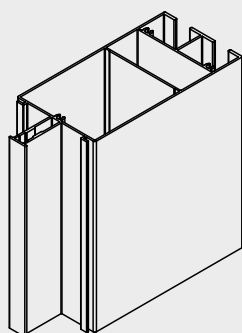
C80

1rm
1,13kg

Max.
5,1rm

Z90

ALU



F-FBR-080

Double guide adapter with spacer.



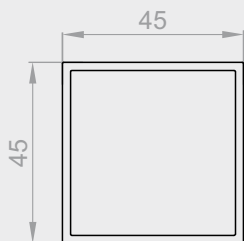
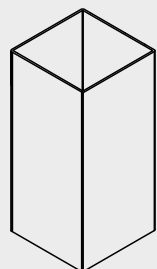
C80

1rm
1,24kg

Max.
5,1rm

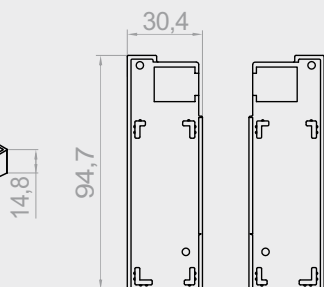
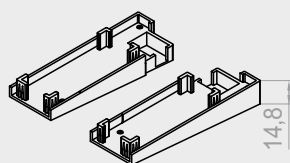
Z90

ALU



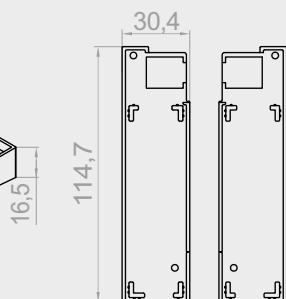
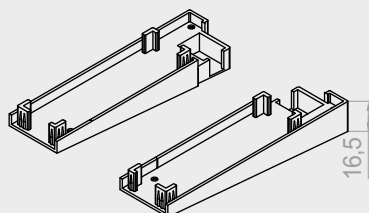
F-PM

Corner profile to ZF3000-BX.



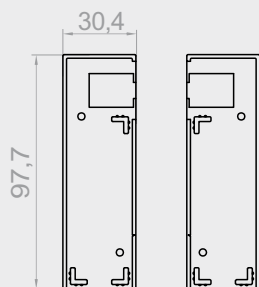
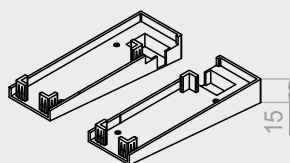
F-FBD-010

Bottom plug of the F-FBR-010 guide.



F-FBD-020

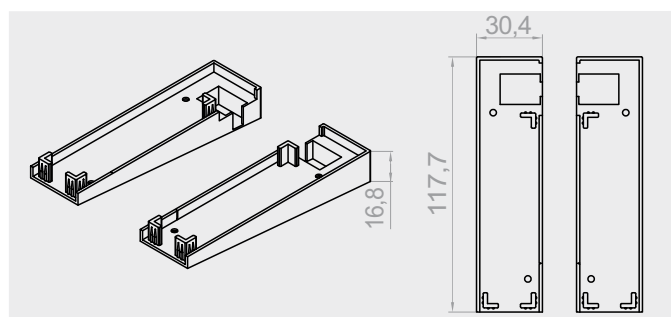
Bottom plug of the F-FBR-020 guide.



F-FBD-030

Bottom plug of the F-FBR-030 guide.



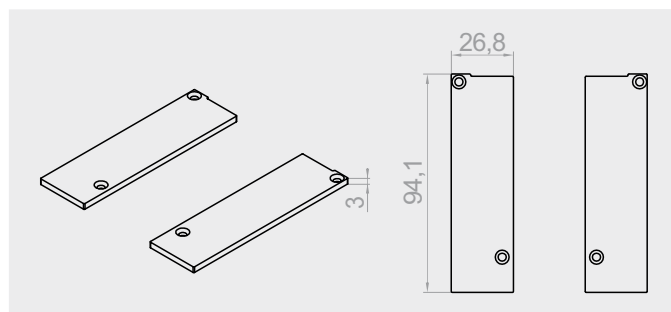


F-FBD-040

Bottom plug of the F-FBR-040 guide.

ABS

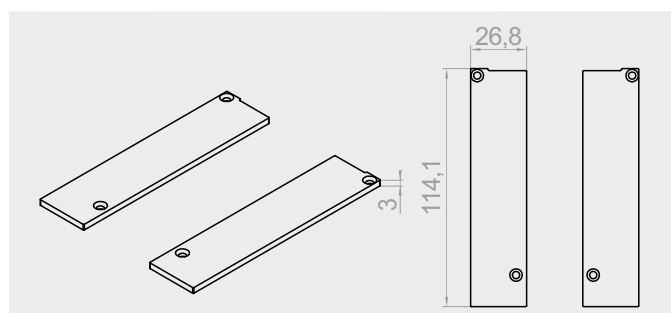
1pc
0,011kg



F-FBD-011

Bottom alu plug of the F-FBR-010 guide.

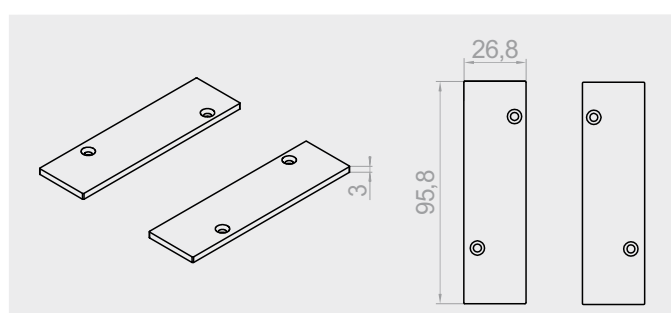
ALU



F-FBD-021

Bottom alu plug of the F-FBR-020 guide.

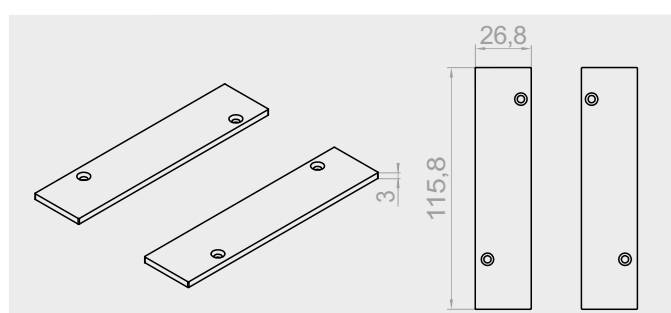
ALU



F-FBD-031

Bottom alu plug of the F-FBR-030 guide.

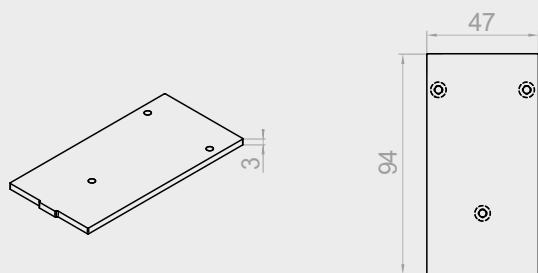
ALU



F-FBD-041

Bottom alu plug of the F-FBR-040 guide.

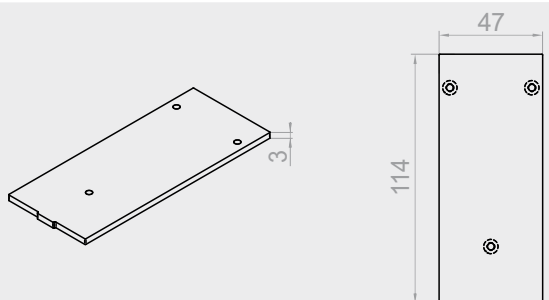
ALU



F-FBD-071

Bottom alu plug of the F-FBR-070 double guide.

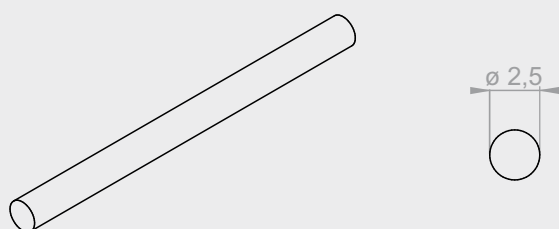
ALU



F-FBD-081

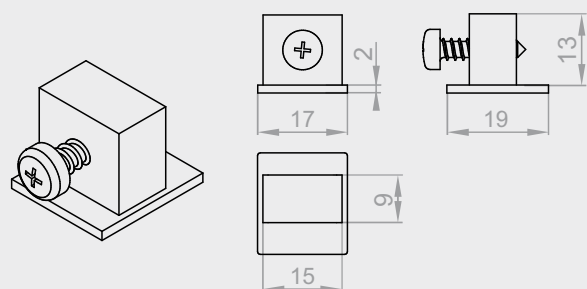
Bottom alu plug of the F-FBR-080 double guide.

ALU



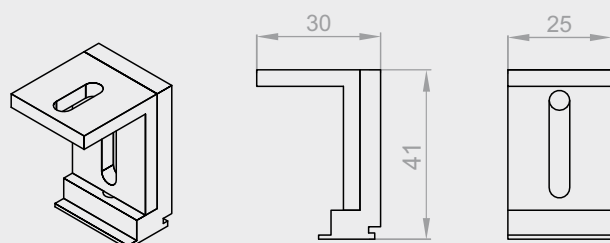
F-PL XX

Cord guide in PVC
available in colours (XX): 03 - grey, 20 - black.



F-ZP XX

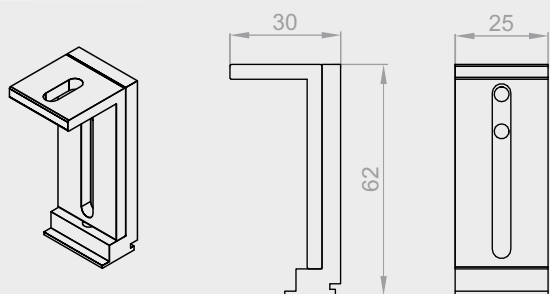
Guide end cap
available in colours (XX): 03 - grey, 20 - black.



F-UPP-50-70

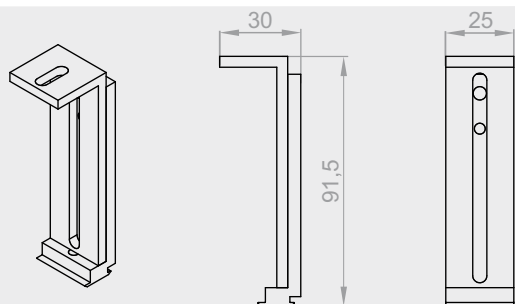
Straight guide handle 50-70 mm.





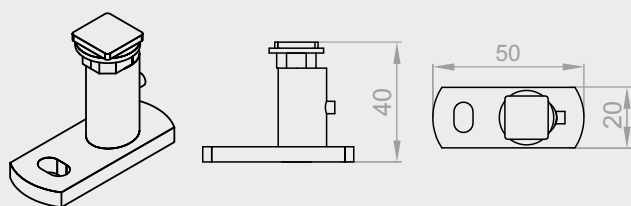
F-UPP-71-100

Straight guide handle 71-100 mm.



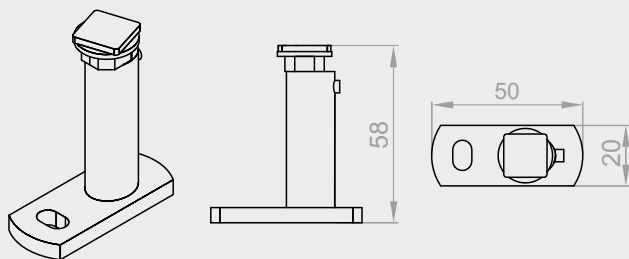
F-UPP-101-145

Straight guide handle 101-145 mm.



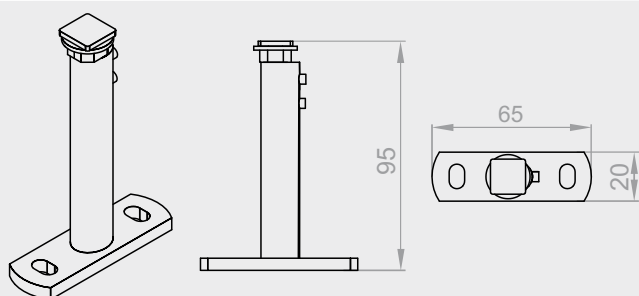
F-UPT-50-70

Telescopic guide handle 50-70 mm.



F-UPT-71-105

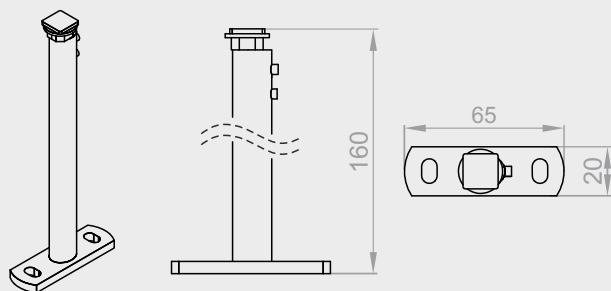
Telescopic guide handle 71-105 mm



F-UPT-106-170

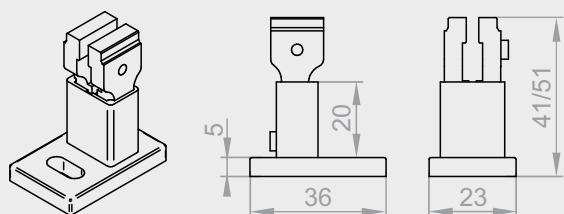
Telescopic guide handle 106-170 mm.





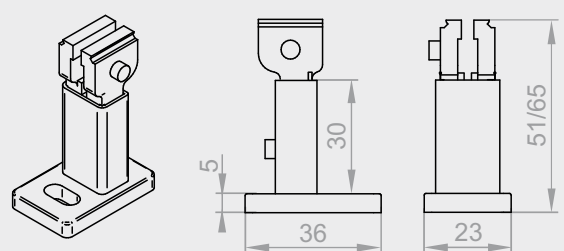
F-UPT-171-295

Telescopic guide handle 171-295 mm.



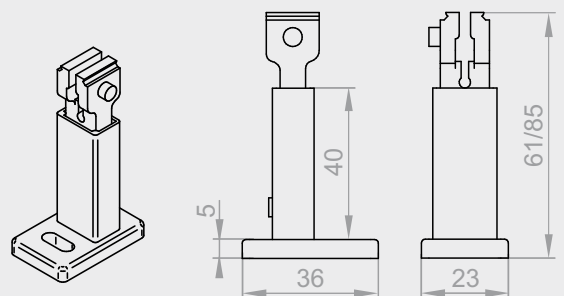
F-UPU-25

Guide telescopic handle universal 25 (50-60 mm).



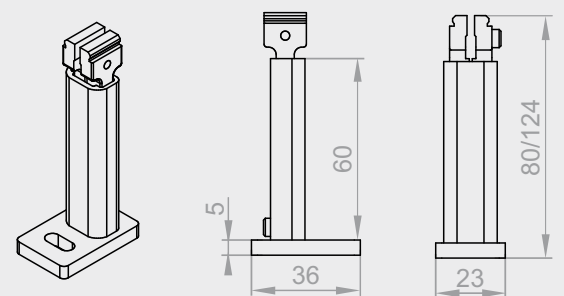
F-UPU-35

Guide telescopic handle universal 35 (60-70 mm).



F-UPU-45

Guide telescopic handle universal 45 (70-90 mm).



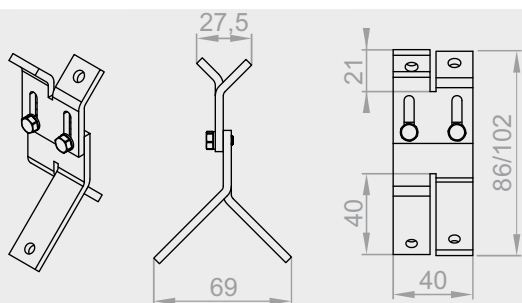
F-UPU-65

Guide telescopic handle universal 65 (90-130 mm).



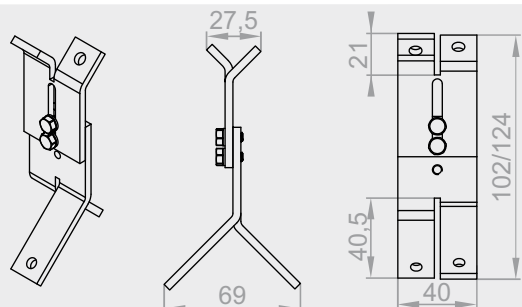
ZF3000® external blind

List of elements



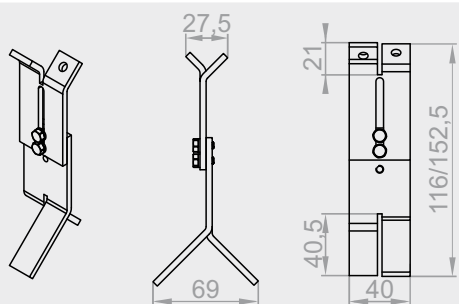
F-UPN-60-70

60-70 mm Corner guide handle.



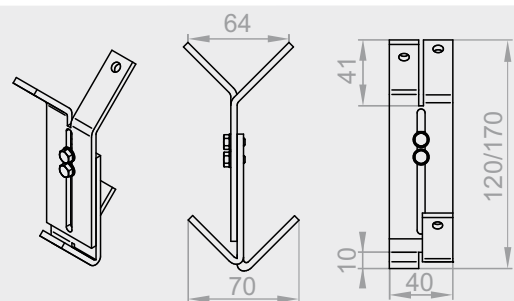
F-UPN-70-80

70-80 mm Corner guide handle.



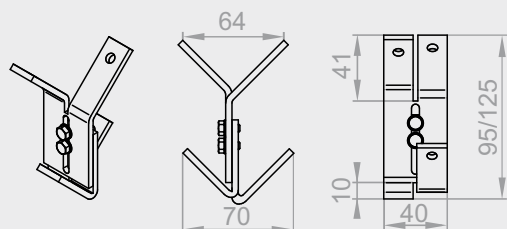
F-UPN-80-100

80-100 mm Corner guide handle.



F-UPNW-95-140

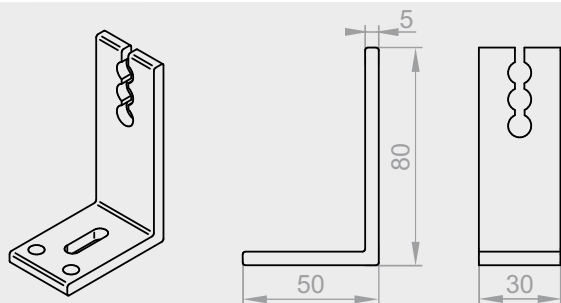
95-140 mm Corner guide handle.



F-UPNW-75-100

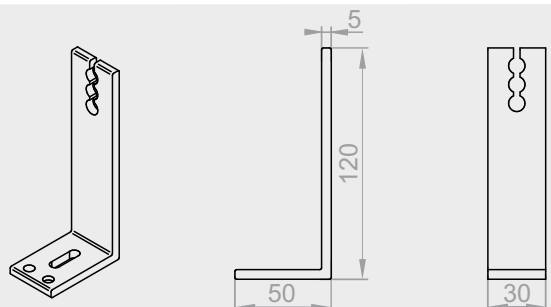
75-100 mm Corner guide handle.





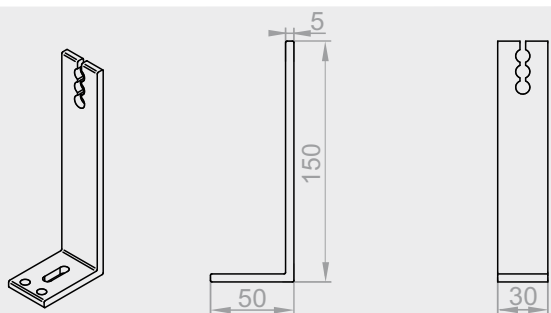
F-UDPL-80

Cord guide lower handle 80 mm.



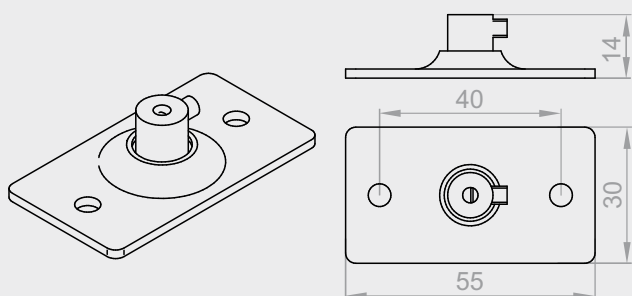
F-UDPL-120

Cord guide lower handle 120 mm.



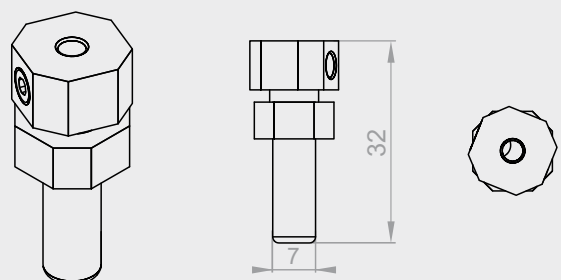
F-UDPL-150

Cord guide lower handle 150 mm.



F-UDPP

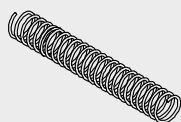
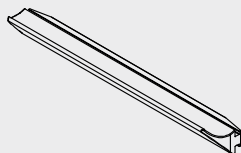
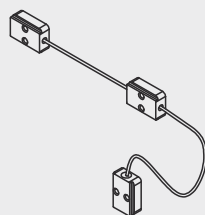
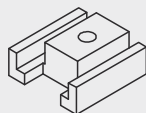
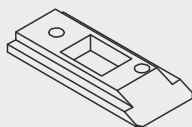
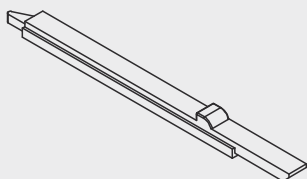
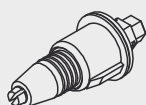
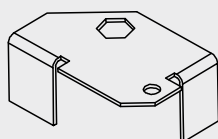
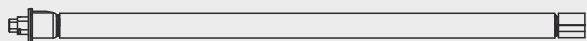
Cord guide lower handle attached to the floor.



F-SR-32

Adjusting screw for the cord guide.





F-MKB-010

Spring mechanism for mosquito nets (set).

MZZ-040 - 1 pc
Mosquito net spring.

F-M-RZ-080 L+P - 1 pc L + 1 pc R
Metal handle for mosquito net in the ZF3000-BX system.

MZW-010 - 1 pc
Mounting for the mosquito net pipe.

M-RW-170-XX L+P - 1 pc L + 1 pc R
Bottom lath latch for the mosquito net.
Available in colors (XX):
02 - white, 03 - gray, 05 - light beige, 08 - dark brown,
09 - light brown, 16 - ivory, 20 - black, 23 - anthracite.

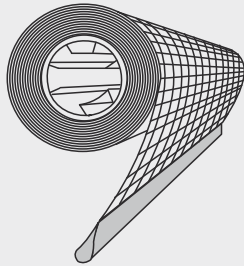
M-RW-180-XX - 2 pcs
Latch clip.
Available in colors (XX):
02 - white, 03 - gray, 05 - light beige, 08 - dark brown,
09 - light brown, 16 - ivory, 20 - black, 23 - anthracite.

M-RW-200-XX - 2 pcs
Latch blockade in the bottom lath of the mosquito net.
Available in colors (XX):
02 - white, 03 - gray, 05 - light beige, 08 - dark brown,
09 - light brown, 16 - ivory, 20 - black, 23 - anthracite.

MZW-050-XX - 1 pc
Cord handle in the bottom lath of the mosquito net.
Available in colors (XX):
02 - white, 03 - gray, 05 - light beige, 08 - dark brown,
09 - light brown, 16 - ivory, 20 - black, 23 - anthracite.

M-RW-080-XX - 2 pcs
Bottom lath handle of the mosquito net
Dostępny w kolorach (XX):
Available in colors (XX):
02 - white, 03 - gray, 05 - light beige, 08 - dark brown,
09 - light brown, 16 - ivory, 20 - black, 23 - anthracite.

M-RN-070 - 2 pcs
Spring for cassette's latch.



MOS-CZARNA FI23 1,6

Mosquito net 6000 x 1600 mm - black.

MOS-SZARA FI23 1,7

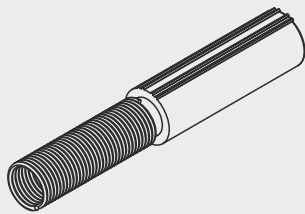
Mosquito net 6000 x 1700 mm - gray.

MOS-CZARNA FI23 2,6

Mosquito net 6000 x 2600 mm - black.

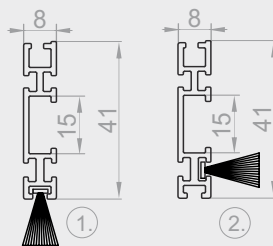
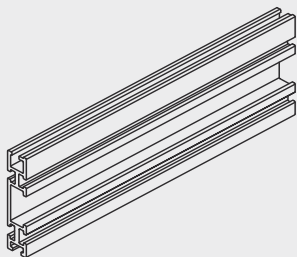
MOS-SZARA FI23 2,6

Mosquito net 6000 x 2600 mm - gray.



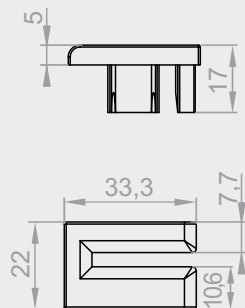
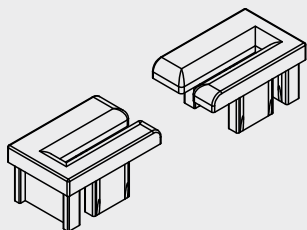
ABS CZ

Slowing system for mosquito net.



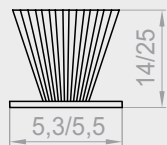
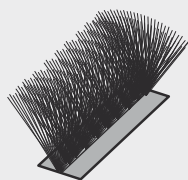
LDM-41x8 XX

Mosquito net bottom lath with seal (mounted from the bottom - Fig.1, front-mounted - Fig.2).



F-FBD-050 P/L

Blade slider in the guide with mosquito net.

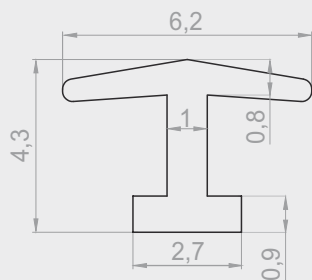
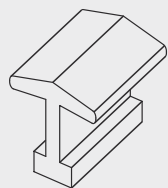


SP-5,3x14-3P

Brush seal in the mosquito net bottom lath (mounted from the bottom).

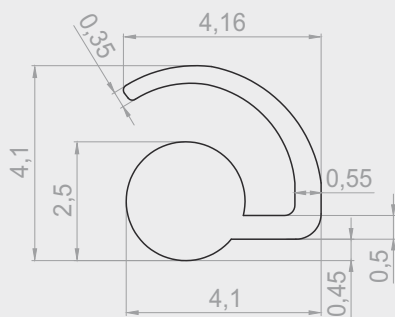
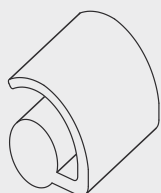
SP-5,5x25 G W1

Brush seal in the mosquito net bottom lath (front-mounted).



F-UP

Rubber guide seal F-PP-20.

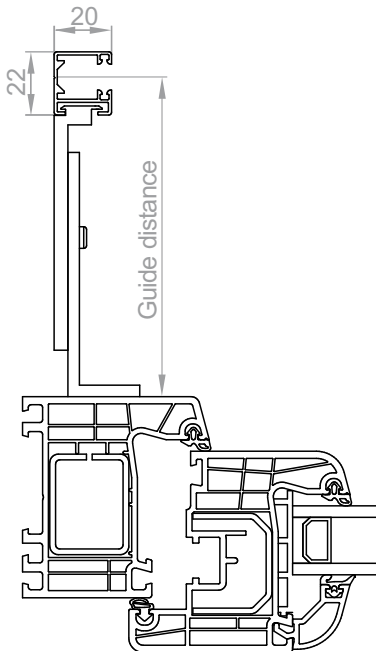


F-UZ90

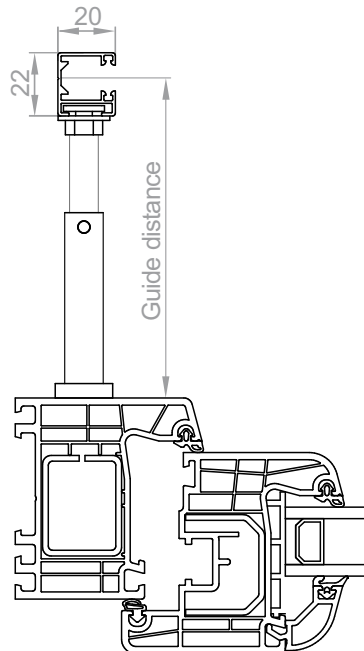
Rubber profile seal Z90.

Installation of the **F-PP-20** single guide:

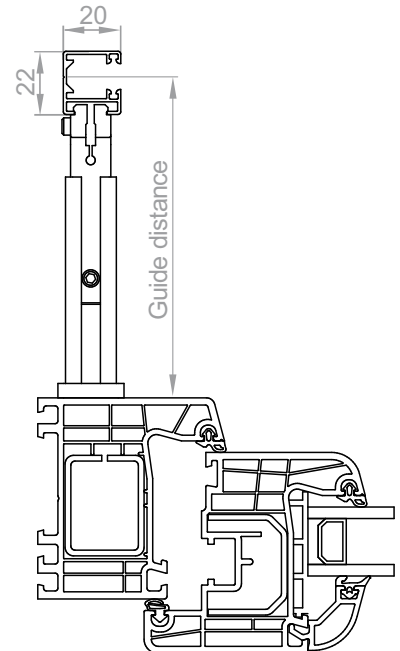
A type
F-PP-20 guide
with F-UPP handle



B type
F-PP-20 guide
with F-UPT handle

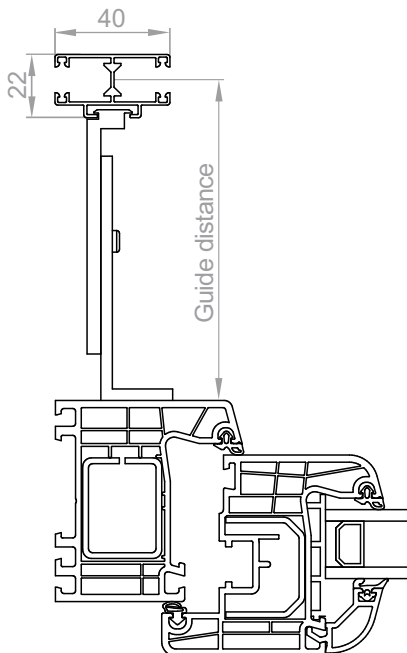


C type
F-PP-20 guide
with F-UPU handle

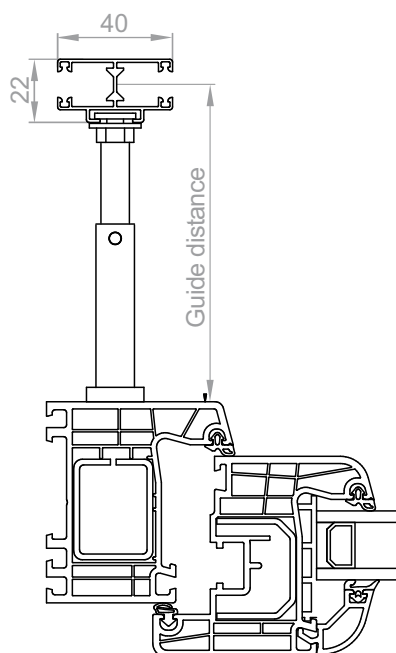


Installation of the **F-PPD-40** double guide:

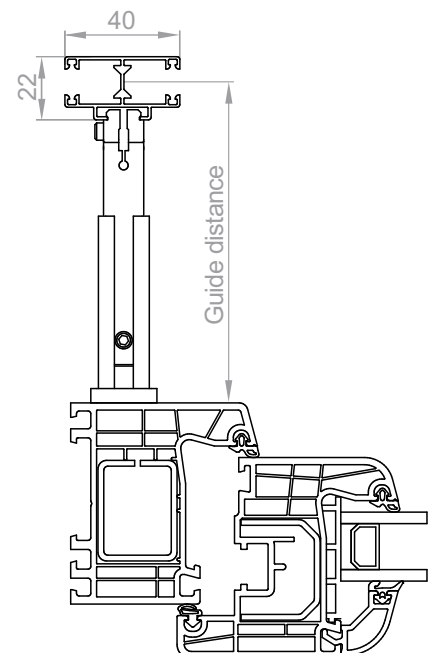
A type
F-PPD-40 guide
with F-UPP handle



B type
F-PPD-40 guide
with F-UPT handle

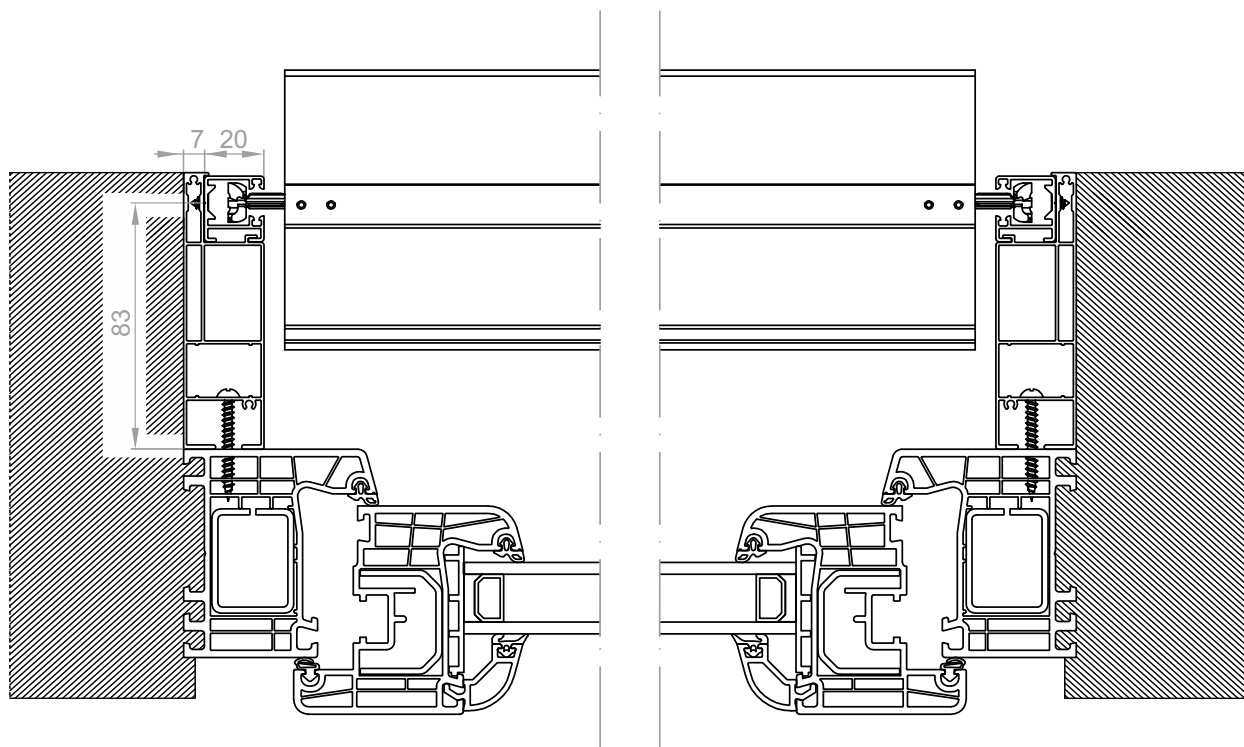


C type
F-PPD-40 guide
with F-UPU handle

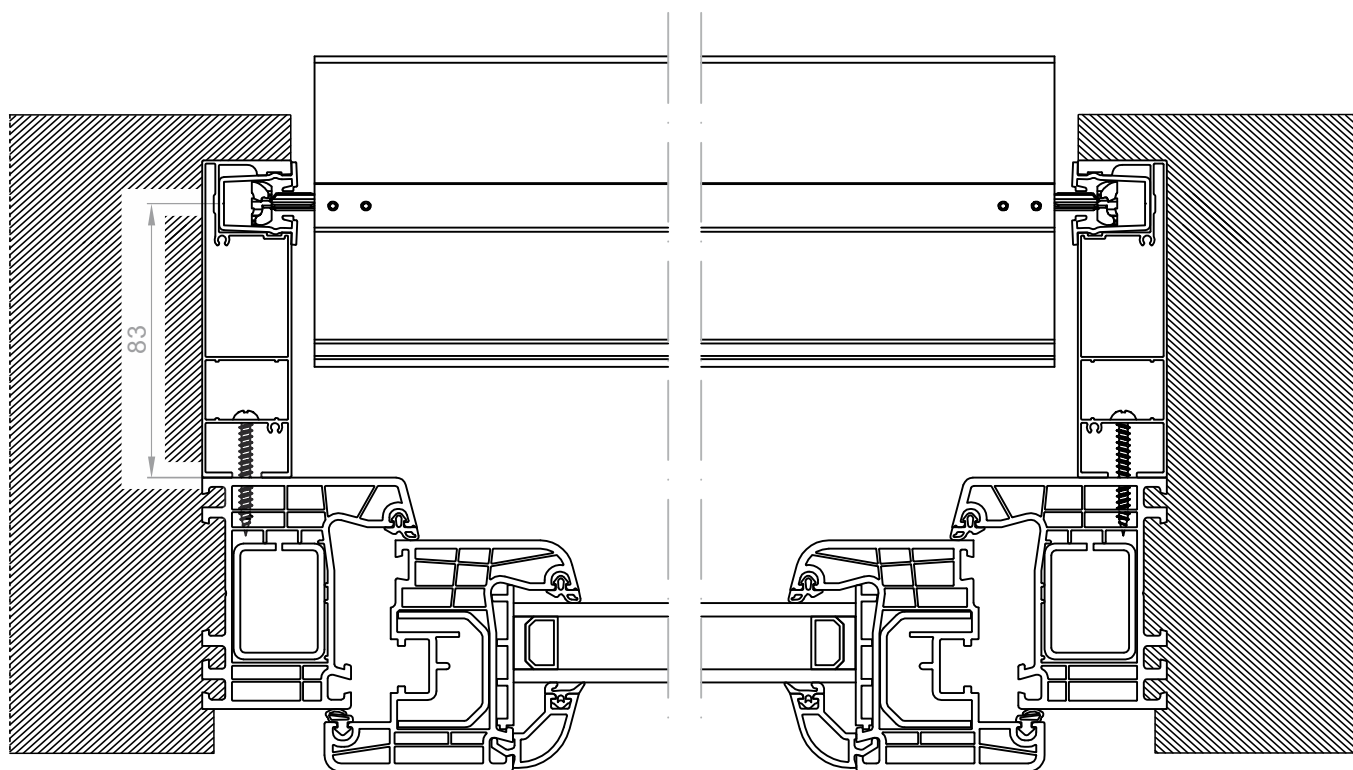


ZF3000® external blind How to install guides

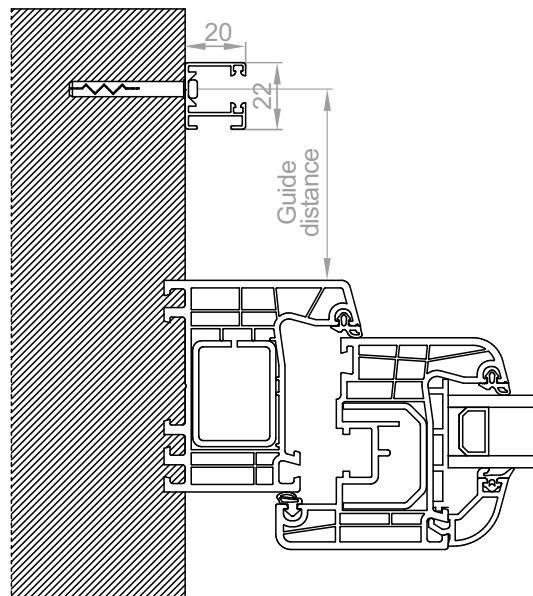
Installation of the guide adapter for the **F-FBR-010** external blind with the **F-PP-20** guide:



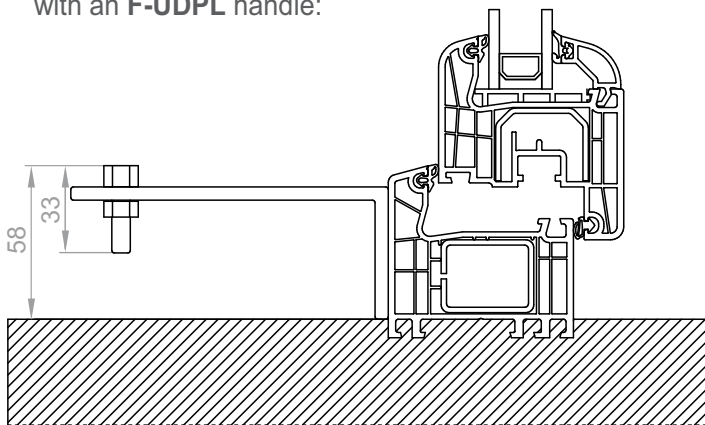
Installation of the external blind guide for flush-mounted installation **F-FBR-030**:



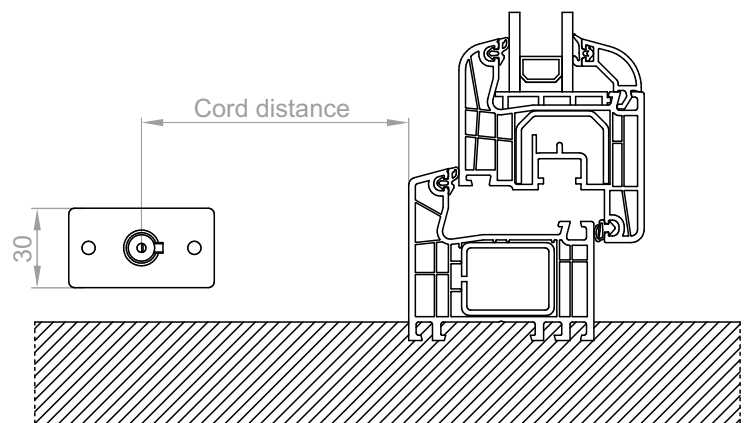
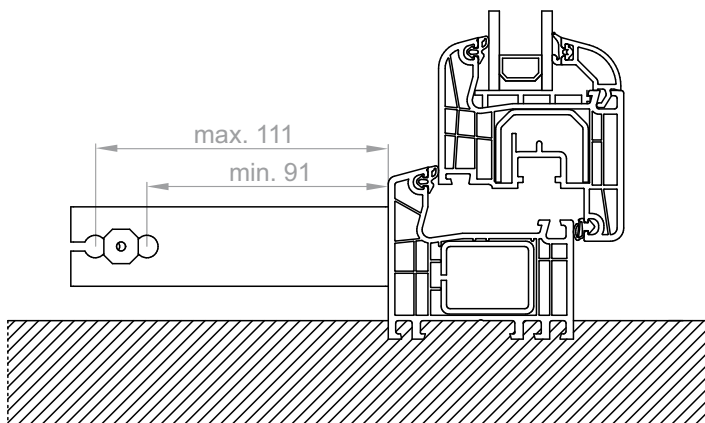
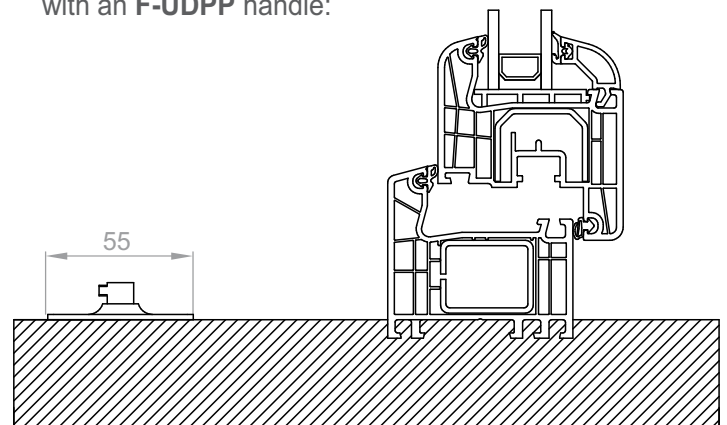
Installation of the **F-PP-20** single guide to the wall:



Type 1
Installation of the guiding cord handles
with an **F-UDPL** handle:



Type 2
Installation of the guiding cord handles
with an **F-UDPP** handle:



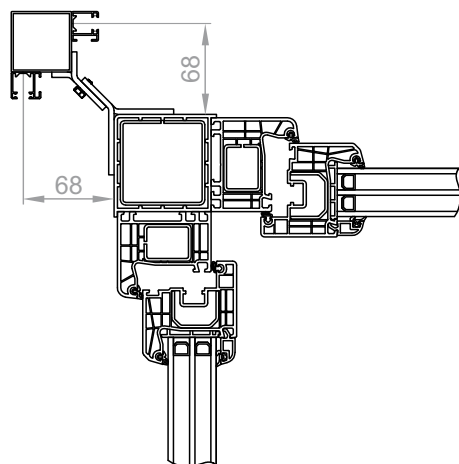
ZF3000® external blind

How to install corner guides

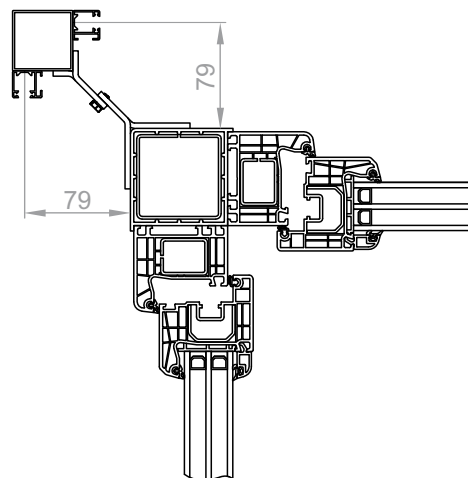
Installation of corner guides on handles **F-UPN**:

F-UPN-60-70

Minimum

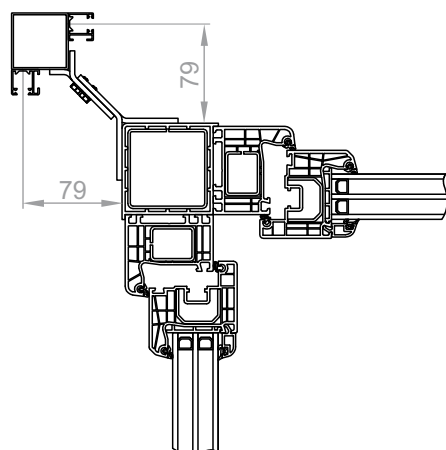


Maximum

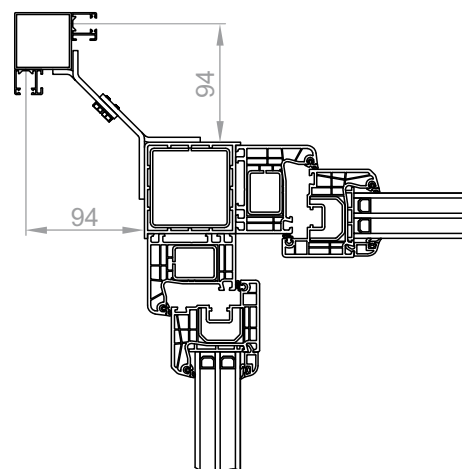


F-UPN-70-80

Minimum

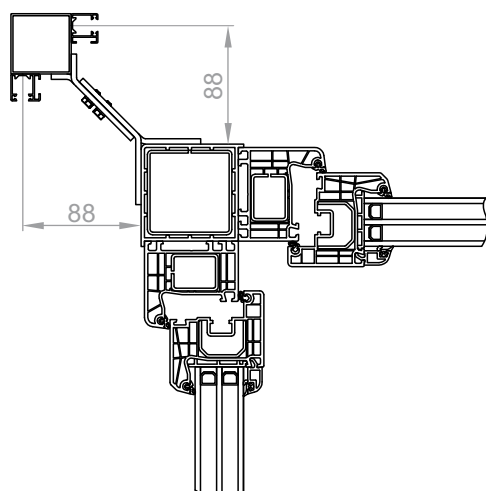


Maximum

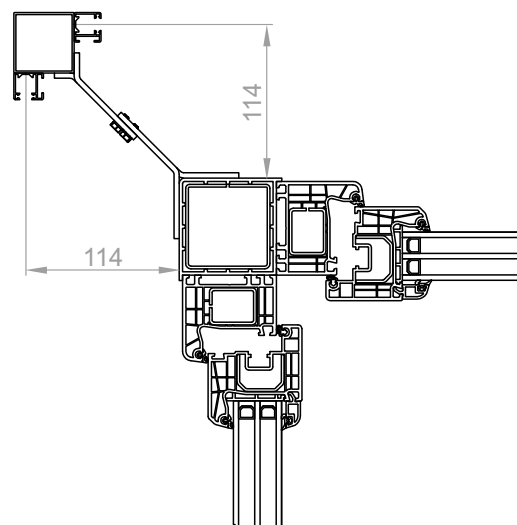


F-UPN-80-100

Minimum



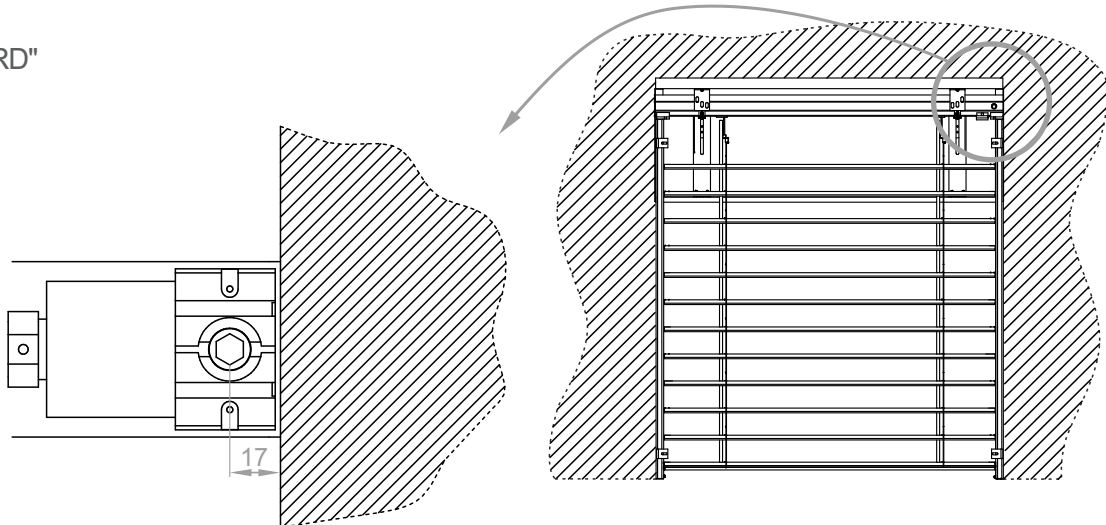
Maximum



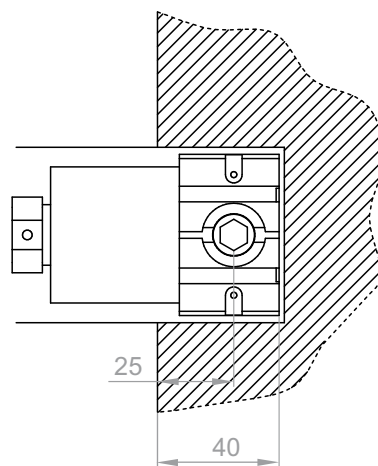
ARRANGEMENT OF THE GEAR IN RELATION TO OTHER ELEMENTS

Location of the gear (possible shifting) in the top rail depends on the window frame seating.
Position of the gear is determined by specifying the distance between the passage axis and the blind edge (total width).

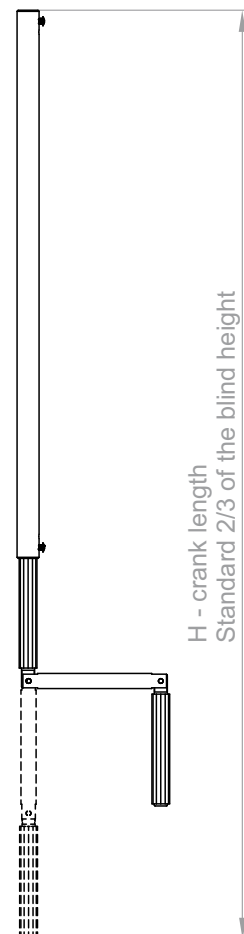
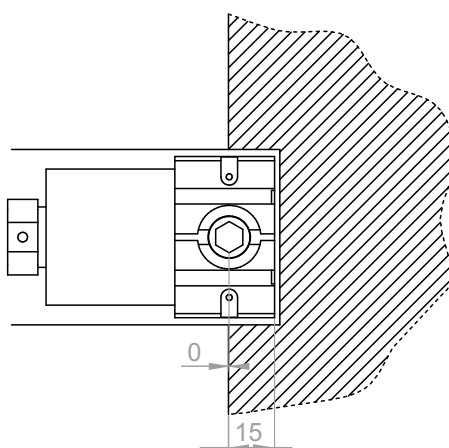
Version A "STANDARD"



Version B "+25 mm"



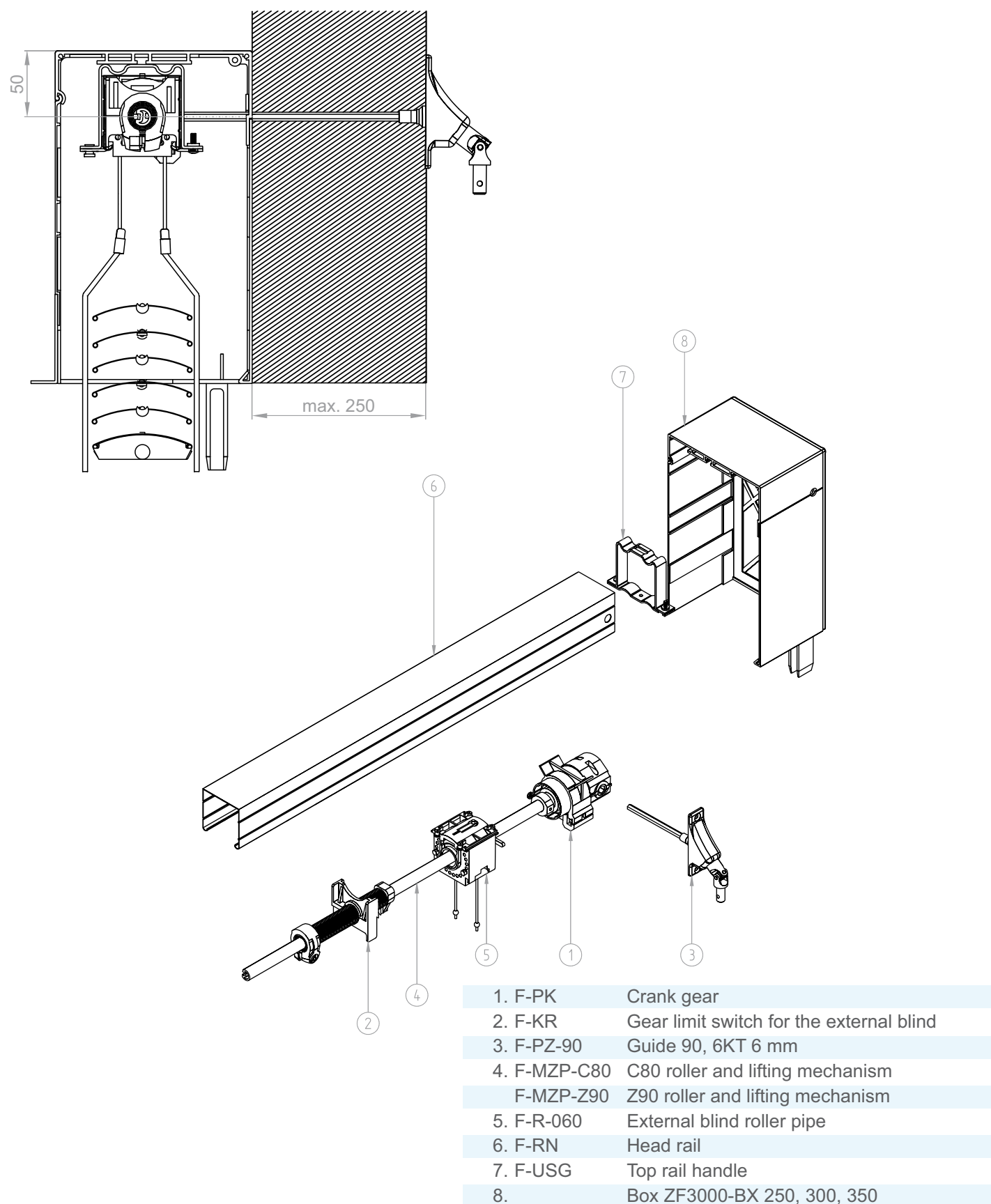
Version C "0"



Note! Other positions of the gear passage axis after prior agreement.

ZF3000®-BX external blind Installation of the crank lifting mechanism

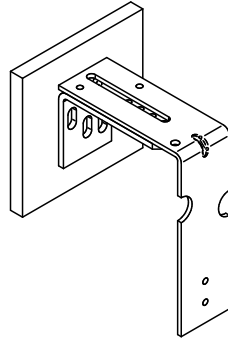
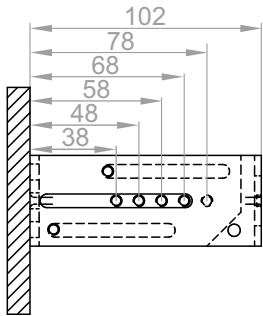
Installation of the crank lifting mechanism in the BX box:



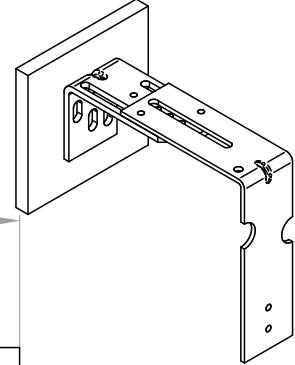
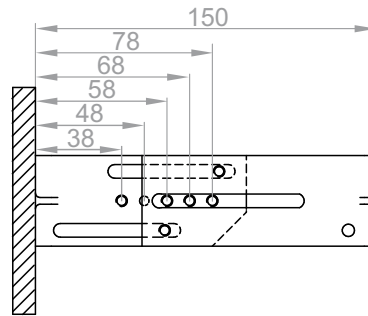
Mounting hole distances in the individual adjustable wall handles of the safety plate.

F-US-100-150

Minimum

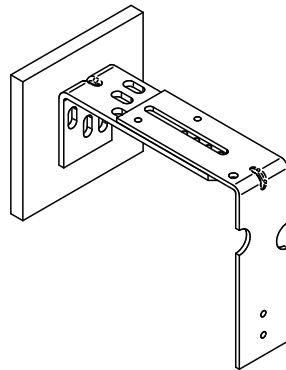
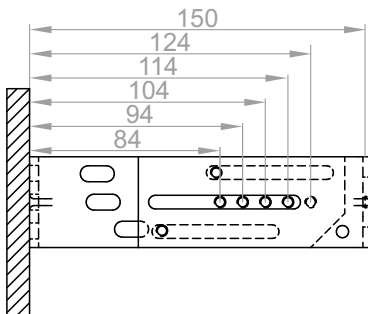


Maximum

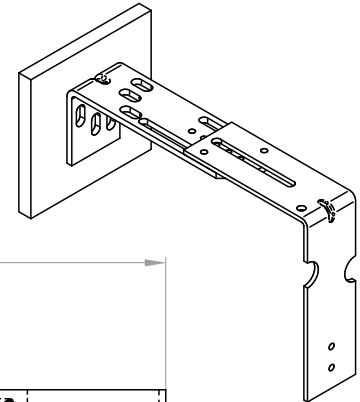
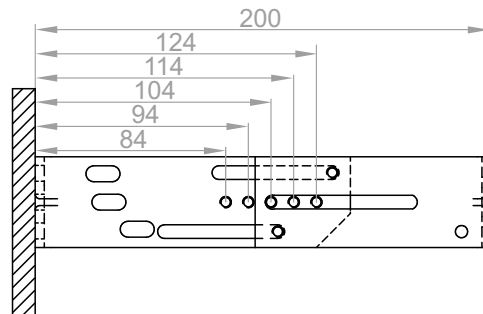


F-US-150-200

Minimum

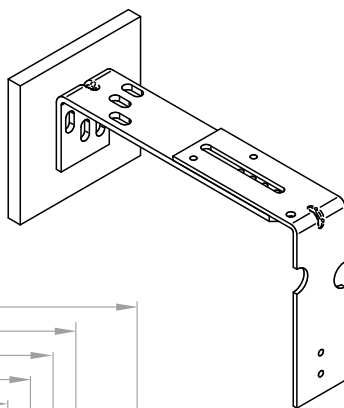
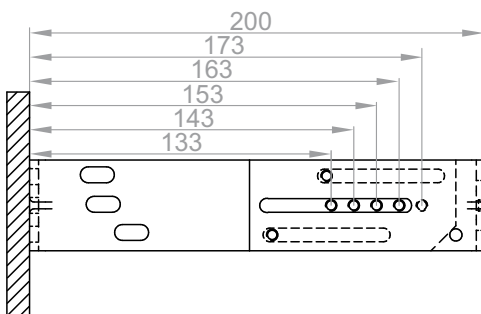


Maximum

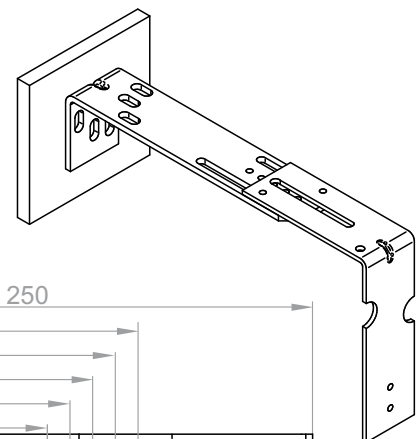
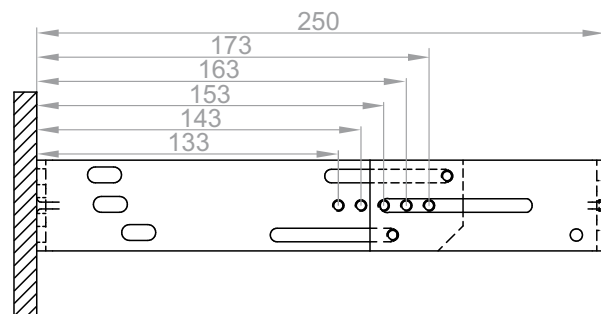


F-US-200-250

Minimum

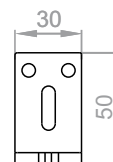
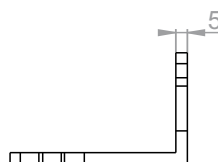
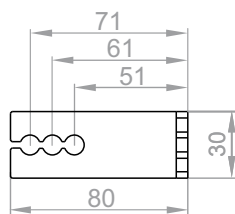
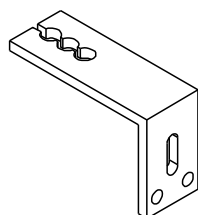


Maximum

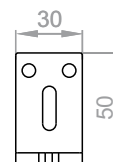
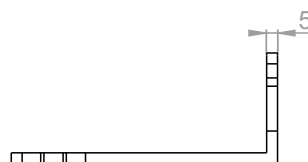
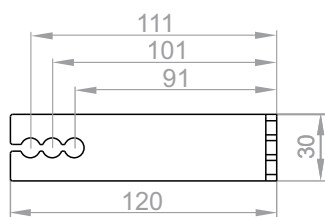
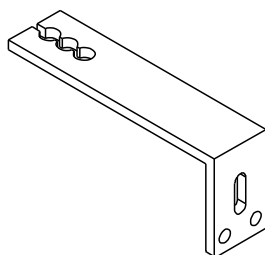


ZF3000® external blind
Mounting hole distances in cord guide lower handle

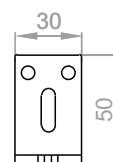
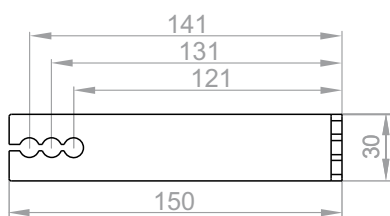
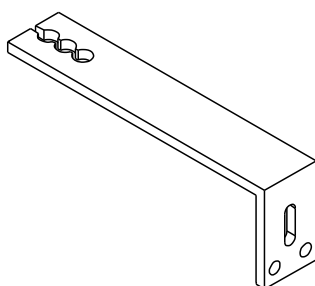
F-UDPL-80

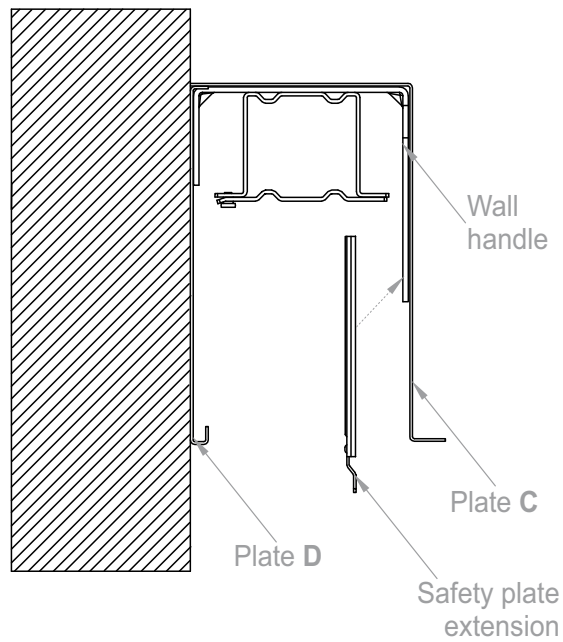
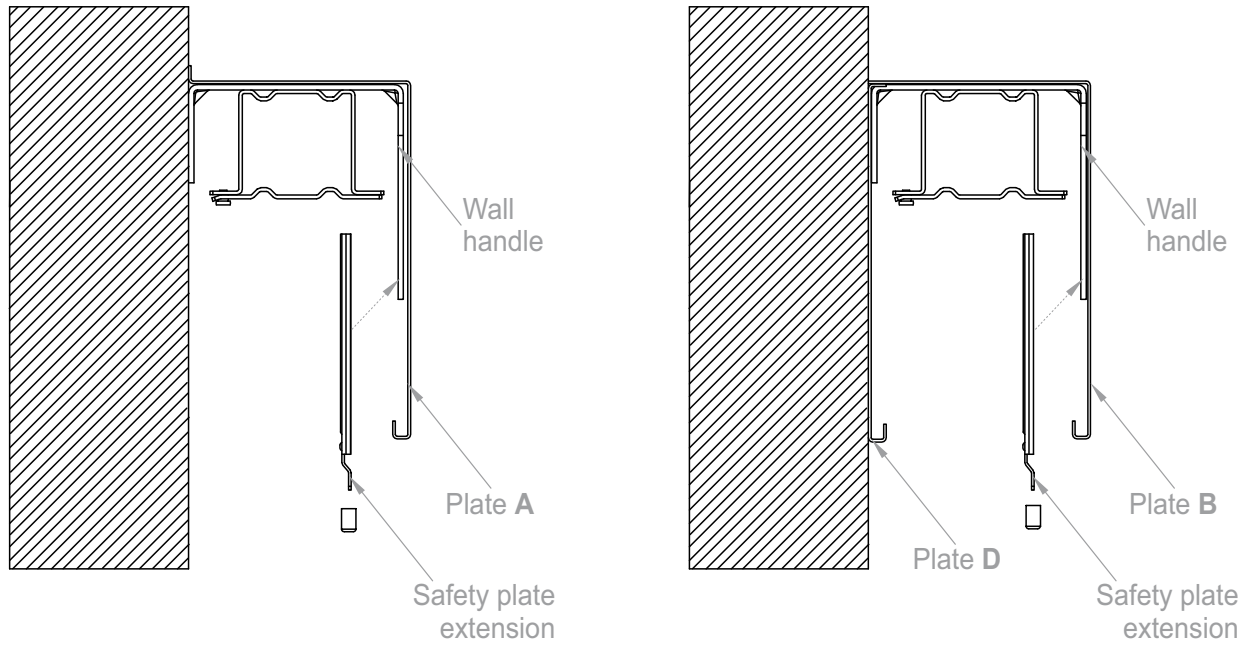


F-UDPL-120



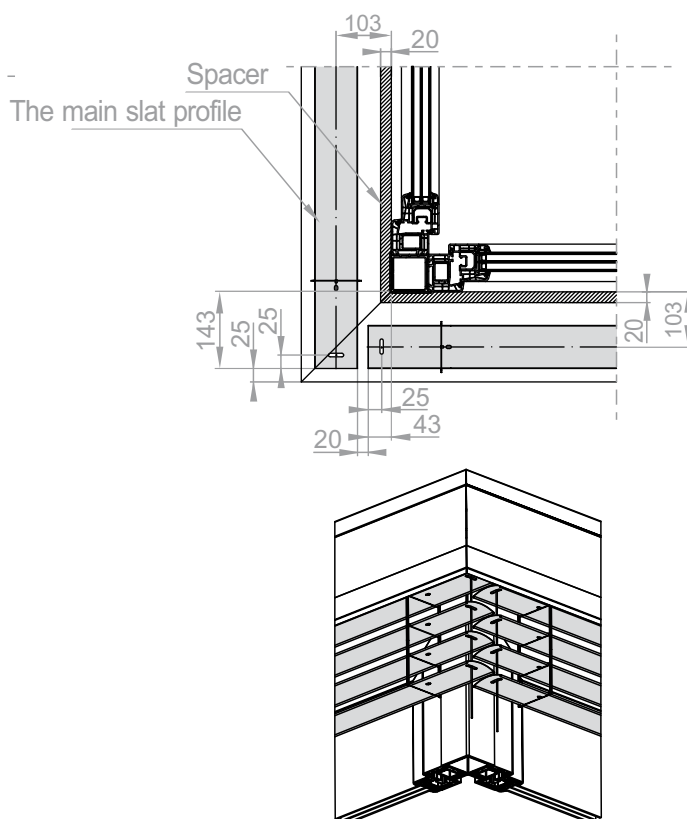
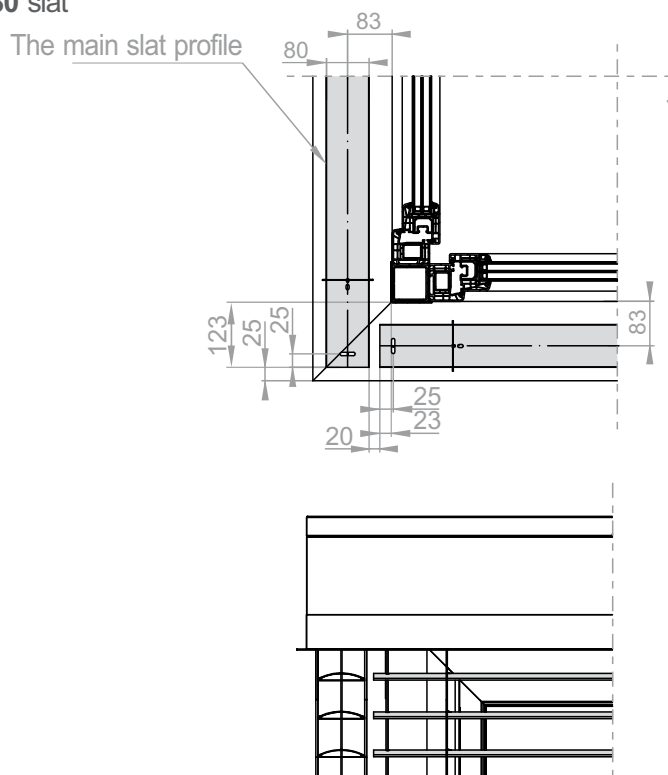
F-UDPL-150



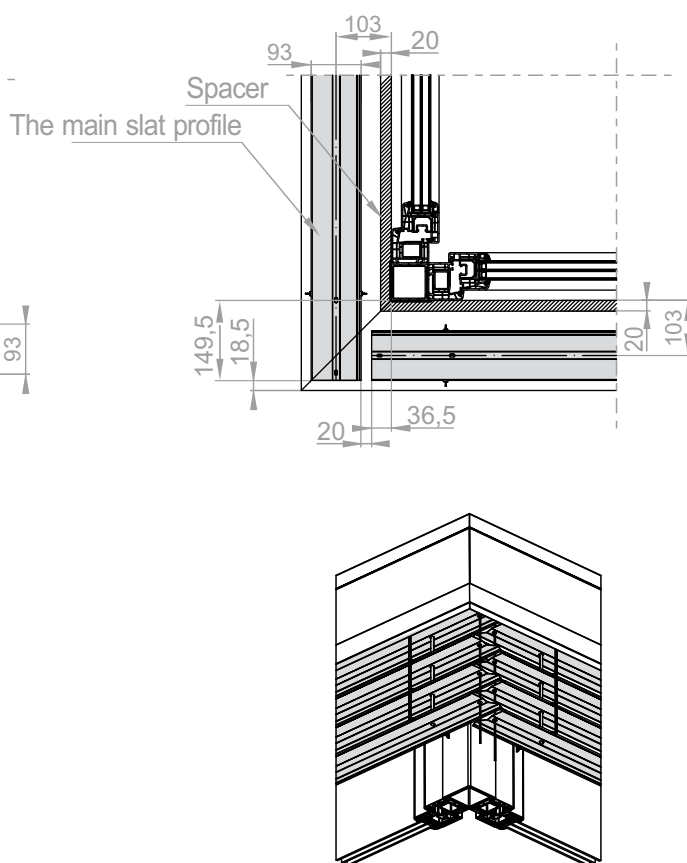
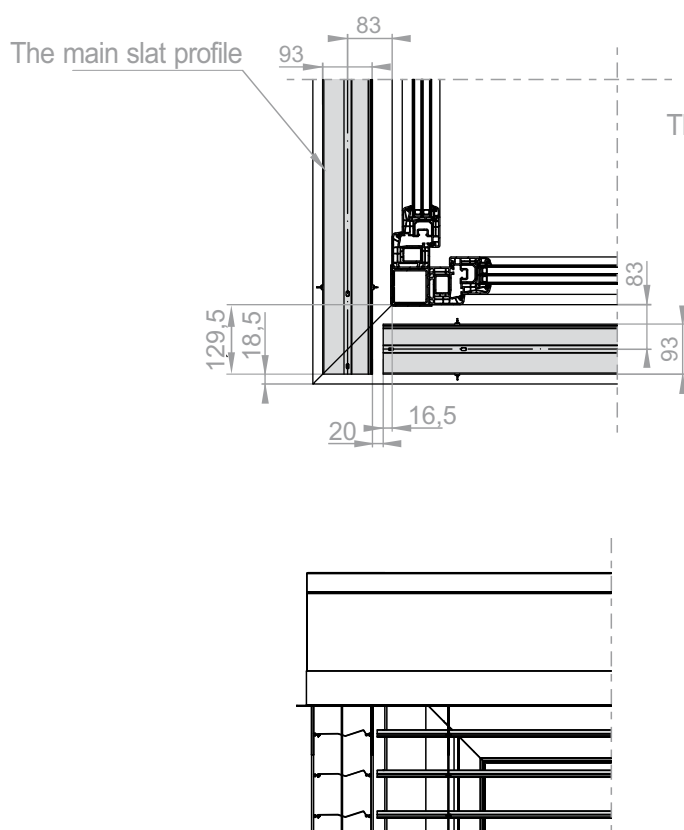


ZF3000® external blind
N1 corner box - cord guiding installed with the main slat profile

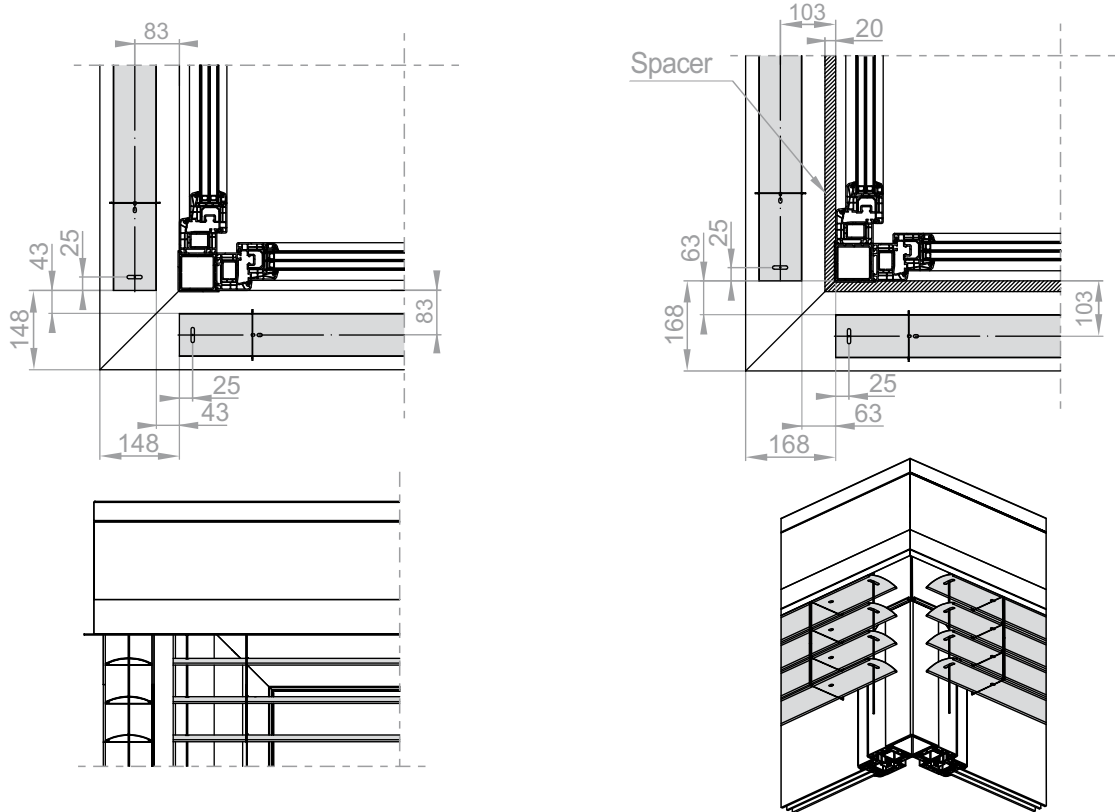
BX - N1 corner box – version with cord guiding installed with the main slat profile.
C80 slat



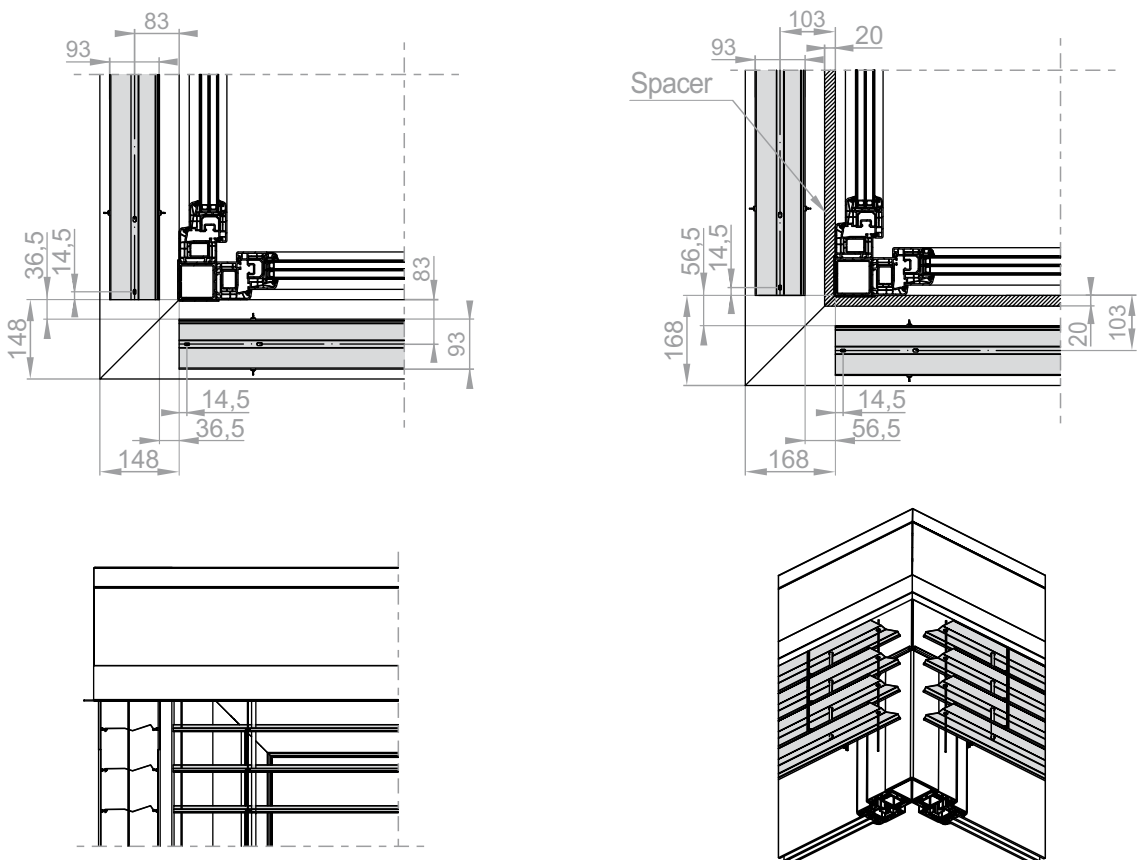
Z90 slat



BX - N2 corner box – version with cord guiding installed with two side split slat profiles.
C80 slat

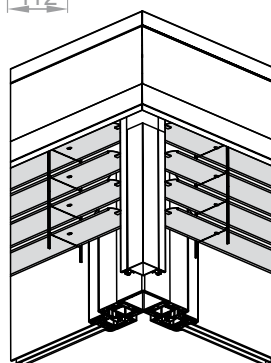
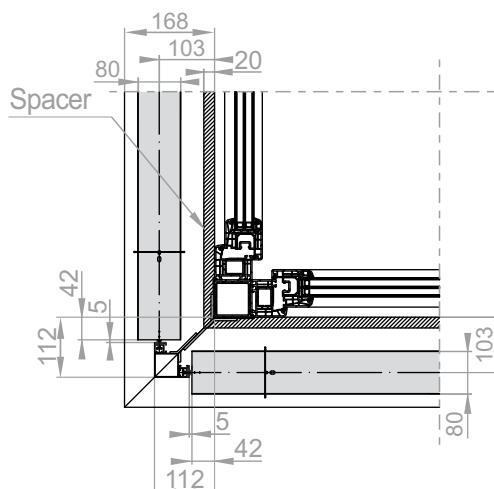
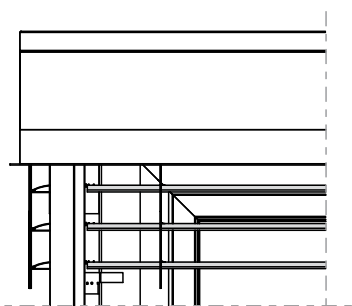
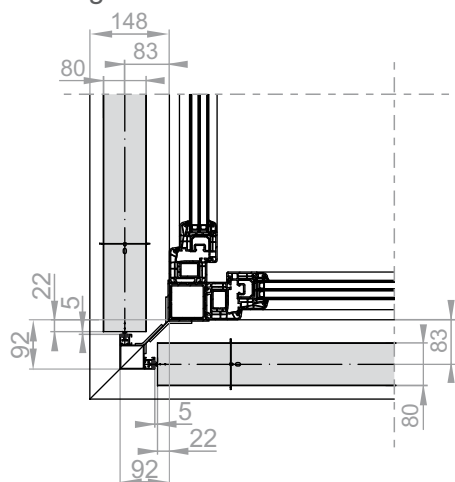


Z90 slat

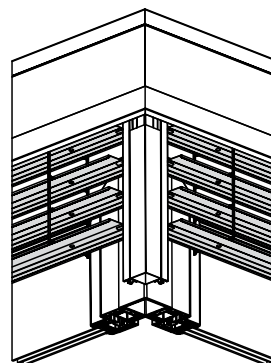
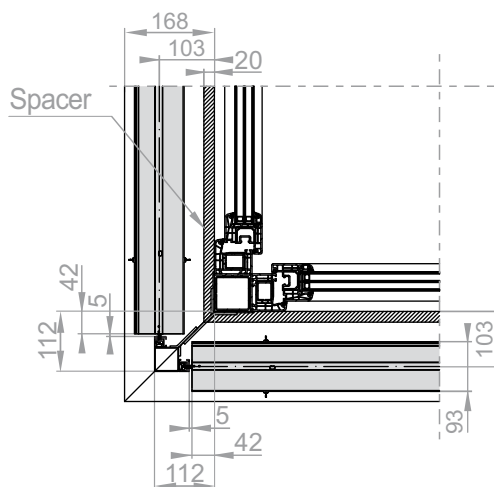
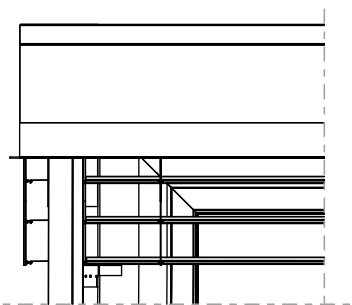
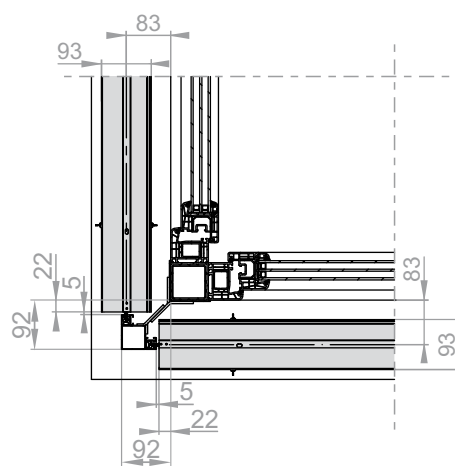


ZF3000® external blind N3 corner box - corner guide

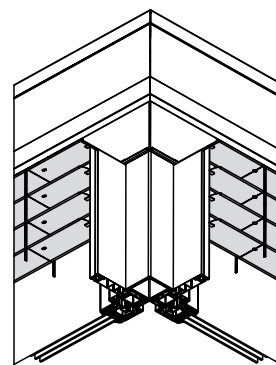
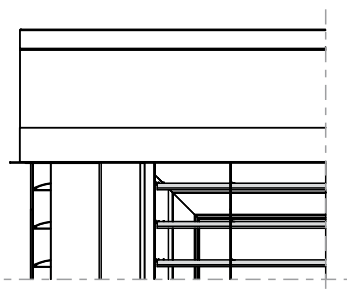
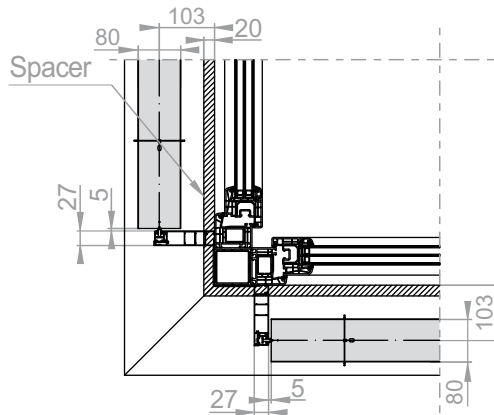
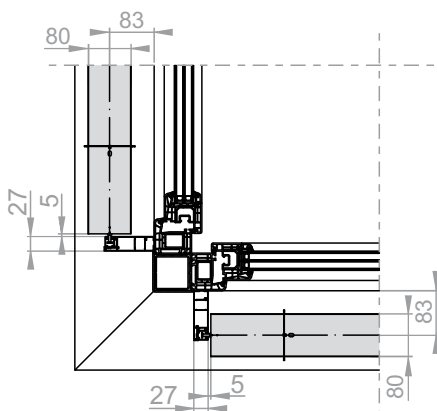
BX - N3 corner box - corner guide version.
C80 slat



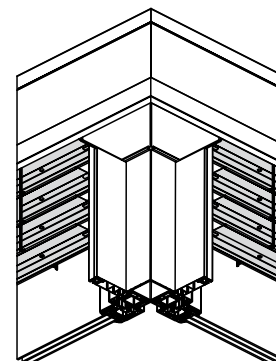
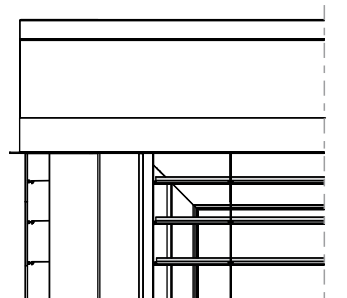
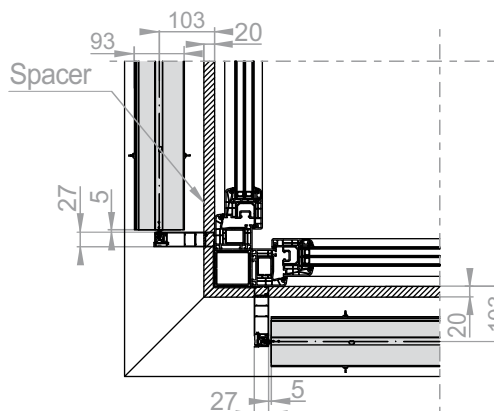
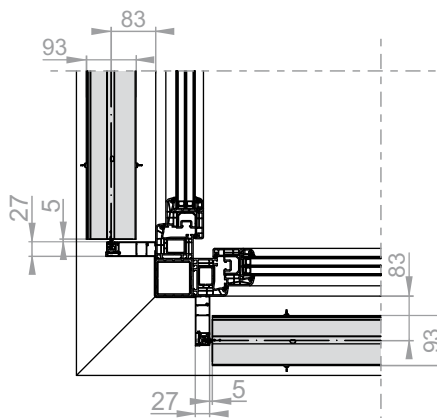
Z90 slat



BX - N4 corner box - F-FBR guide version.
C80 slat

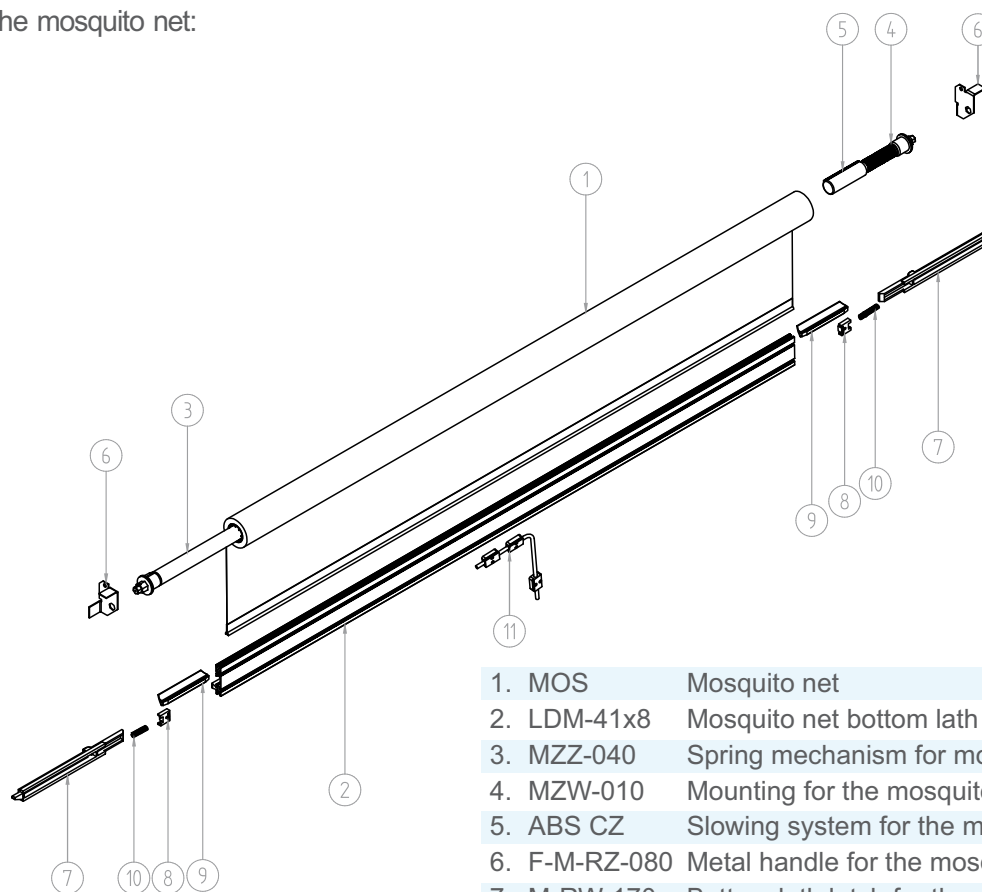


Z90 slat



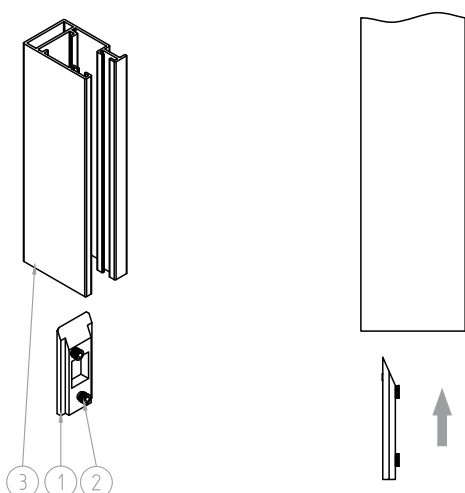
ZF3000® -BX external blind Mosquito net

Installation of the mosquito net:



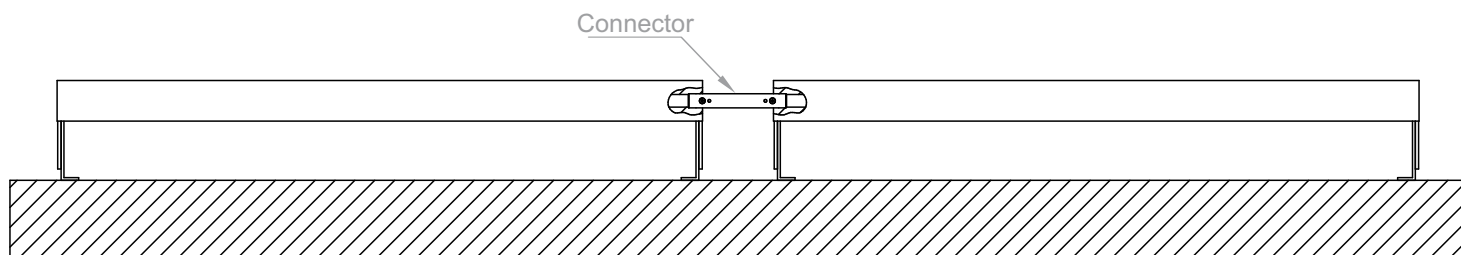
1. MOS	Mosquito net
2. LDM-41x8	Mosquito net bottom lath
3. MZZ-040	Spring mechanism for mosquito nets
4. MZW-010	Mounting for the mosquito net pipe
5. ABS CZ	Slowing system for the mosquito net
6. F-M-RZ-080	Metal handle for the mosquito net
7. M-RW-170	Bottom lath latch for the mosquito net
8. M-RW-200	Latch blockade in the bottom lath of the mosquito net
9. M-RW-080	Bottom lath handle of the mosquito net
10. M-RN-070	Spring for cassette's latch
11. MZW-050	Cord handle in the bottom lath of the mosquito net

Installation of the latch blockade lock in the guide:

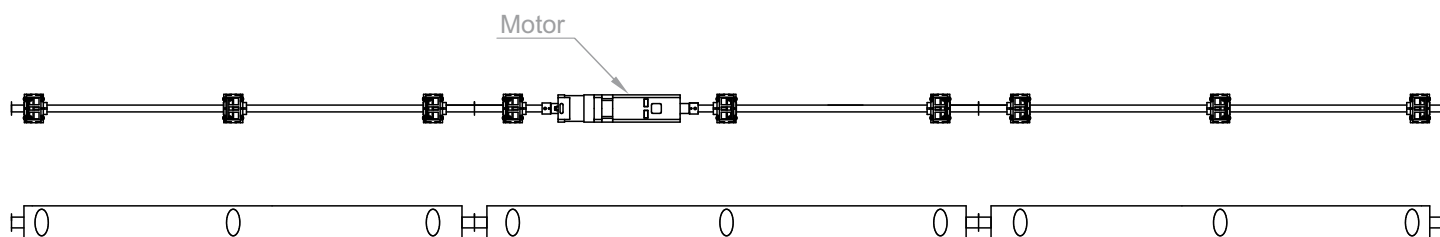


1. M-RW-180	Latch clip
2. M4x4	Headless screw, Allen screw 2
3. F-FBR-050	Guide for mosquito net

Set of 2 external blinds
- connector view



Example of joining external blinds with the drive in the middle blind
- arrangement of bearings.



Maximum width	6000 mm
Maximum height	5000 mm
Maximum area (manual control)	9m ²
Maximum area (engine)	24m ²
Maximum number of bearings on one side of the drive	5
Maximum number of joined blinds	3

