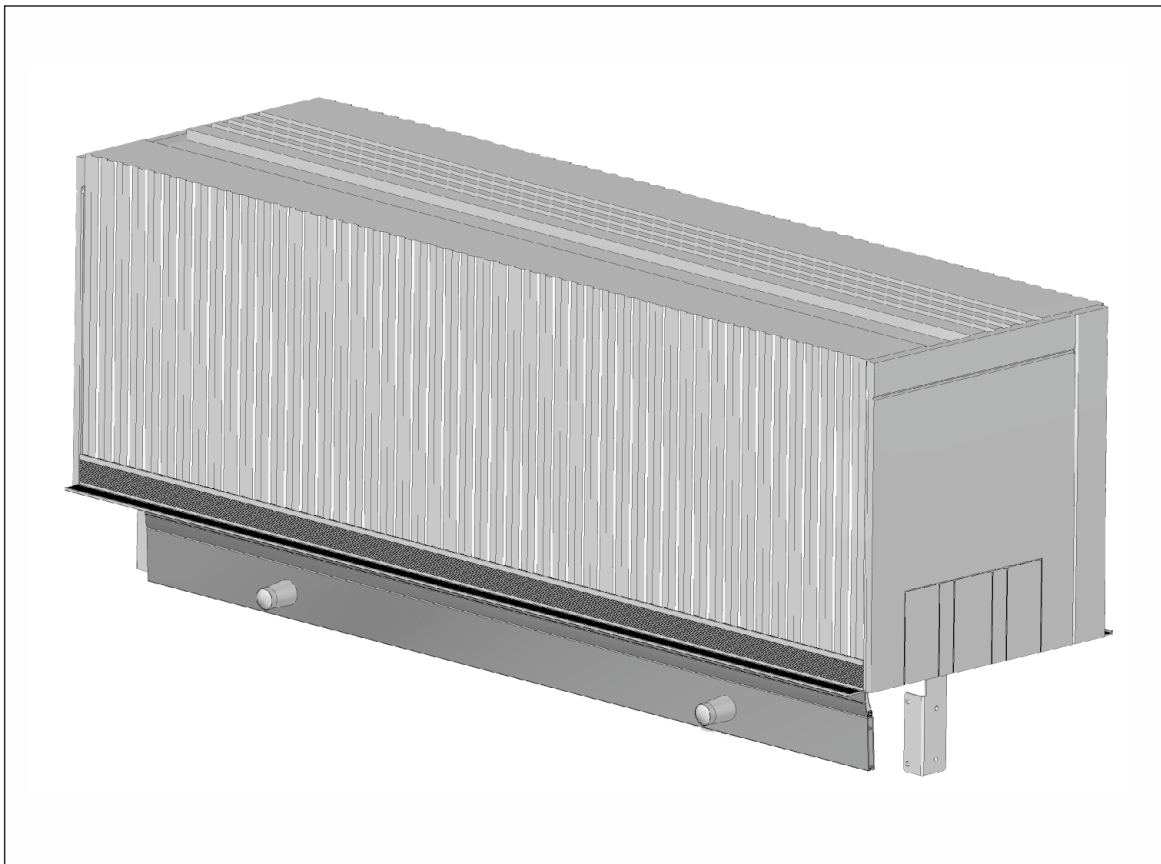
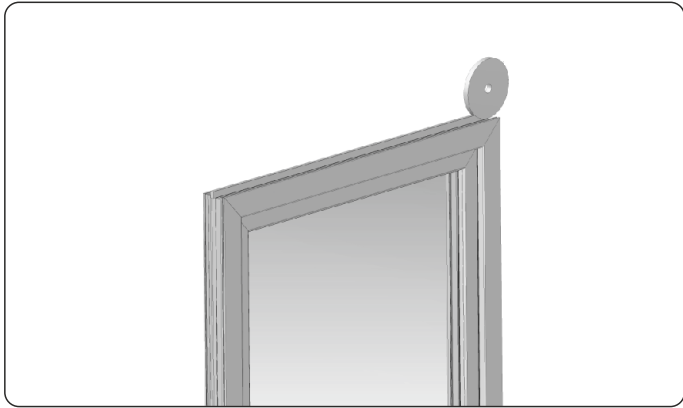




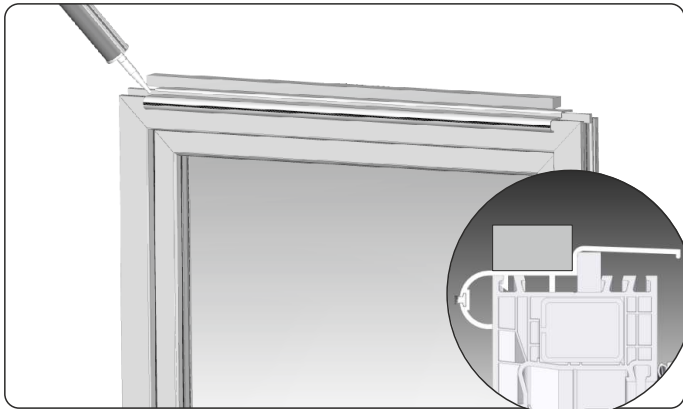
AN INSTALLATION MANUAL
WALL-MOUNTED ROLLER
SHUTTERS SN5000®



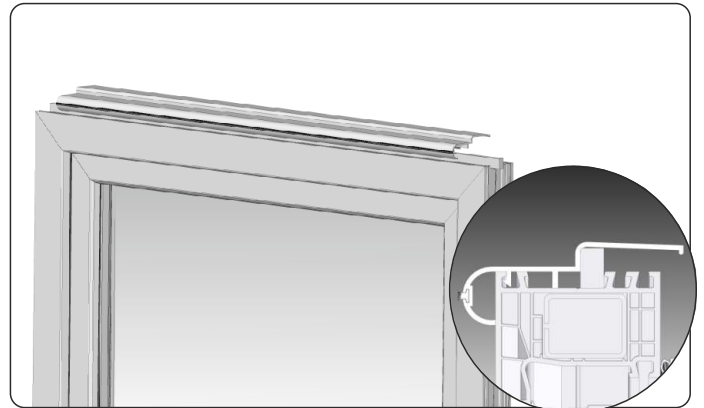
INTERNAL REVISION (INSPECTION) COVER



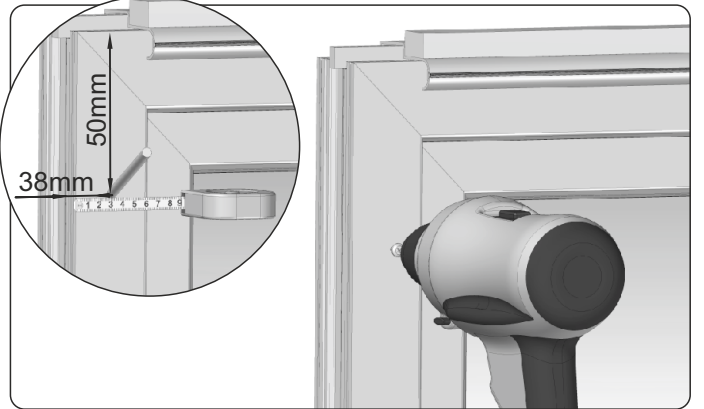
1. Before installation of the lifting yoke, attach PURS STANDARD expanding tape (PORTOS does not include this element in the set, but it is available in our product offering) to the window frame with glue.



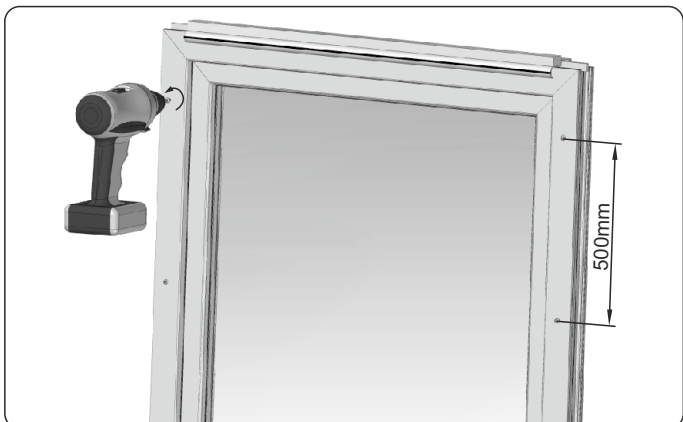
3. Attach the insulation material to the lifting yoke with glue (optional).



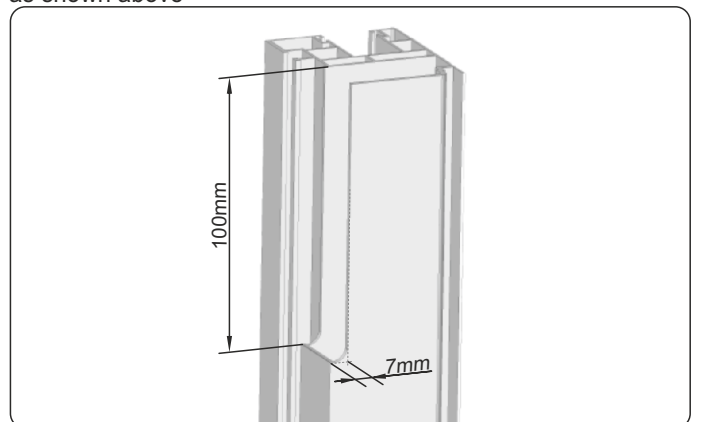
2. The lifting yoke shall be secured to the window profile.



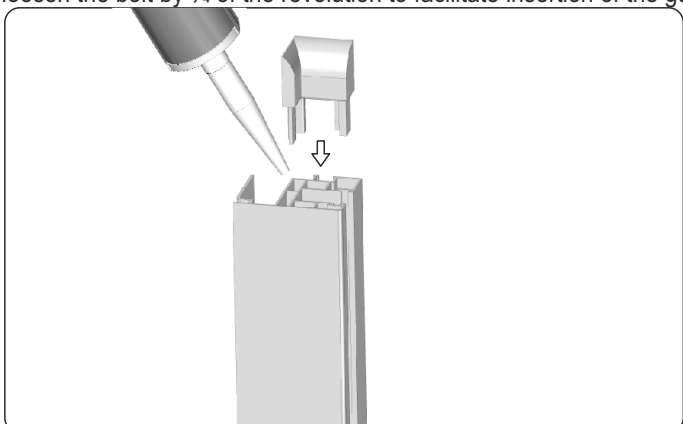
4. Choose where the fixing bolts (fix nipples) shall be fixed by measuring and marking the right distance from the frame edge, as shown above



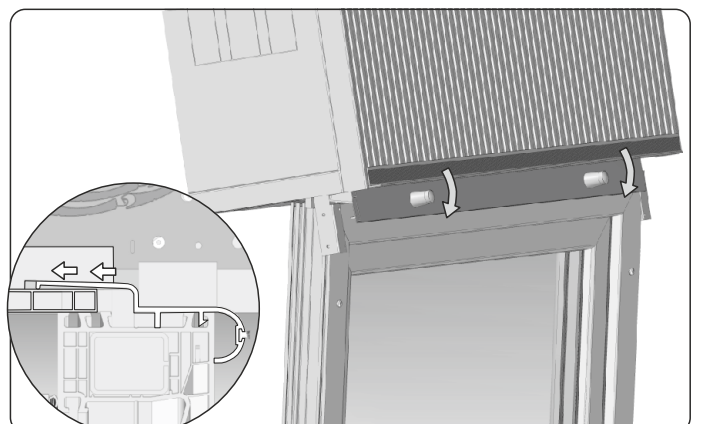
5. The fixing bolts (fix nipples) should be mounted approx. every 50 cm apart, however, there should be at least 3 of such bolts per each side, at the same time 5 cm distance from the bottom and upper edge of the window frame shall be observed. After tightening, loosen the bolt by $\frac{1}{4}$ of the revolution to facilitate insertion of the guide.



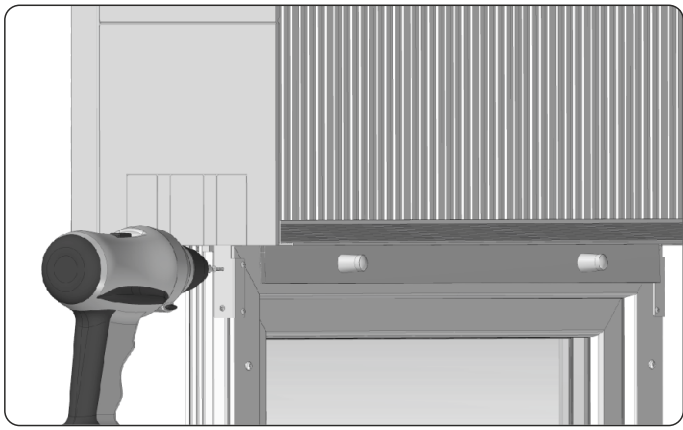
6. Before installation of the guides, an undercut shall be made in the upper part of the guides for the steel side handle. All such undercuts are made in PORTOS.



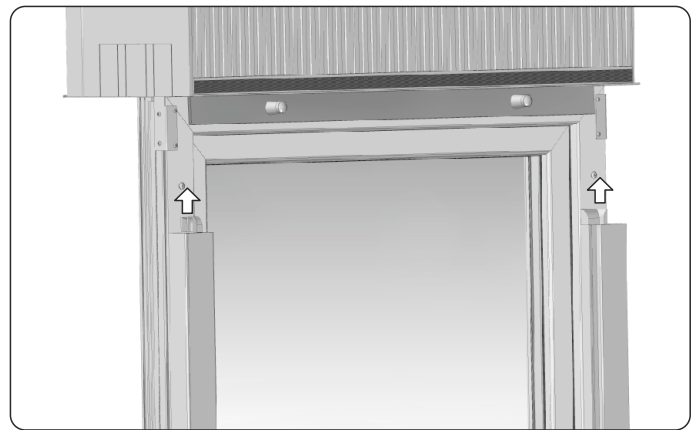
7. Fit sliders in the upper of the guides by fixing them with assembly glue.



8. Fit the assembled box at the angle of approx. 60° into the lifting yoke secured to the window profile, then position the box evenly on the window frame.



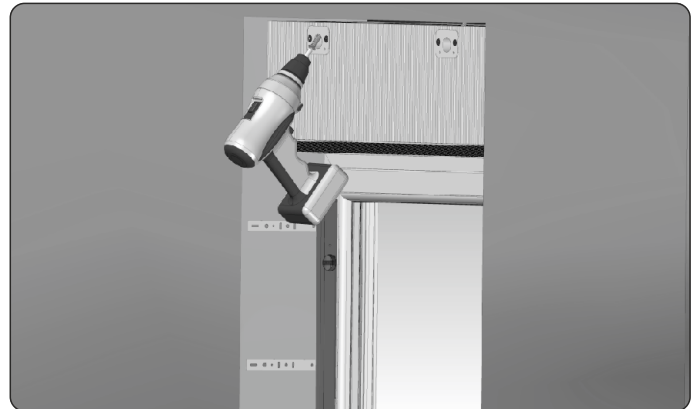
9. Fix the steel side handles to the window using self-tapping screws.



10. Next, slide the guides over the earlier screwed to the window frame fix nipples.



11. Place bottom end caps over the guides and fix them with bolts.

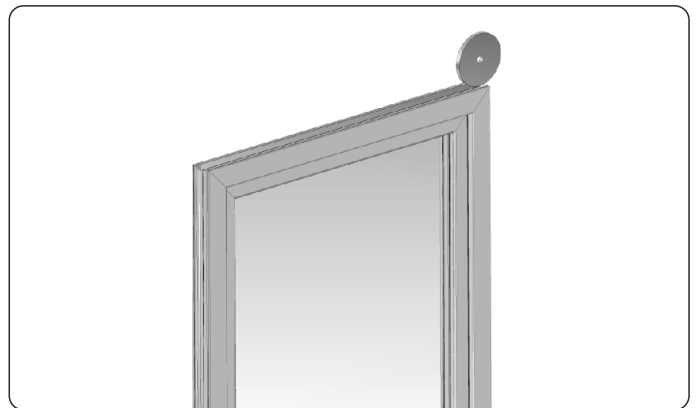


12. The ready set shall be installed in compliance with installation instructions in the earlier made recess. Before final anchoring of the shutters, their vertical and horizontal alignment shall be verified.

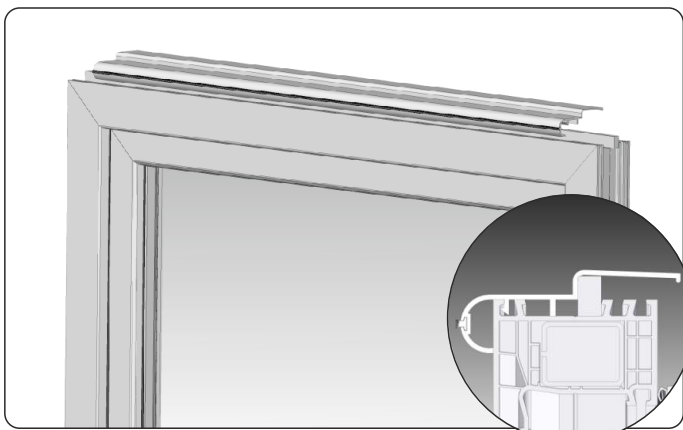
INSTALLATION OF A STATIC CONSOLE



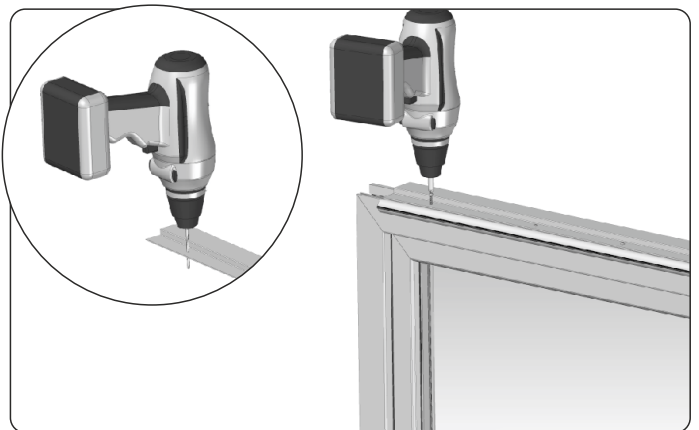
13. Static console shall be fixed to the box by means of plastic fixing screws included in the set.



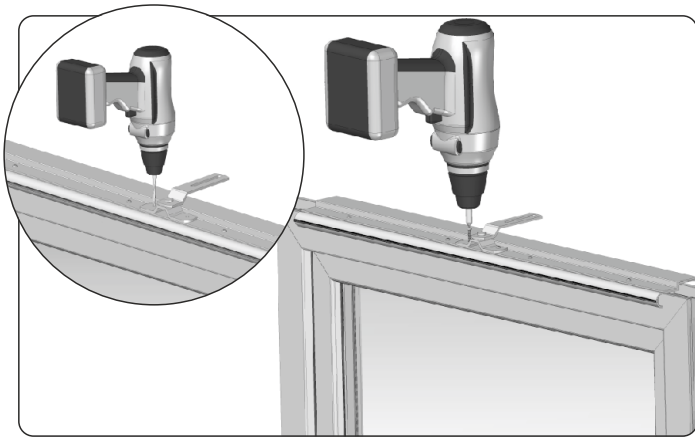
14. Before installation of the lifting yoke, attach PURS STANDARD expanding tape (PORTOS does not include this element in the set, but it is available in our product offering) to the window frame with glue.



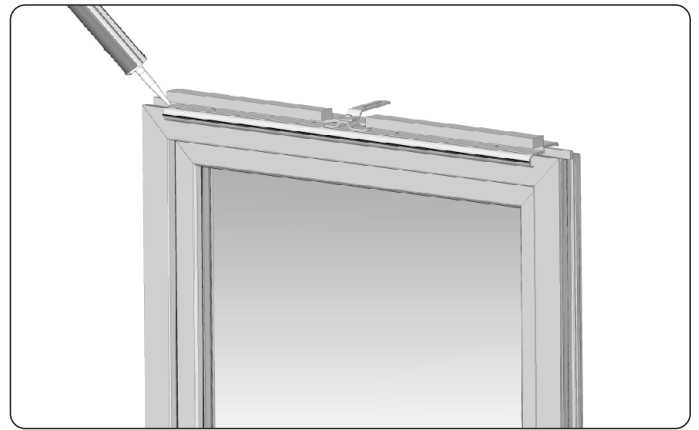
15. The lifting yoke shall be secured to the window profile.



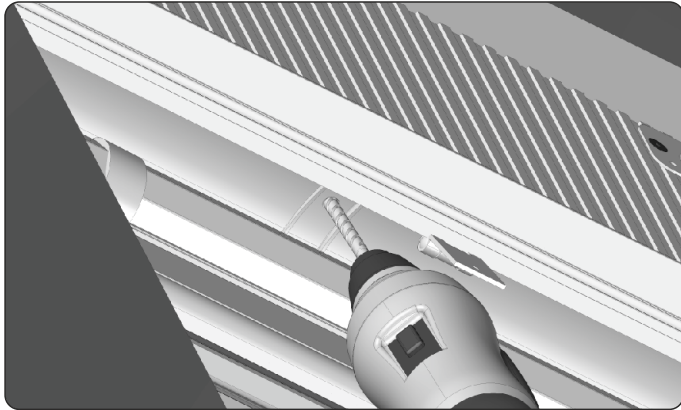
16. Drill openings – first, approx. 10 cm from the edges of the steel reinforcement of the box, and then every 40 cm on the steel reinforcement and the lifting yoke to the window frame using screws (self-tapping screws are recommended).



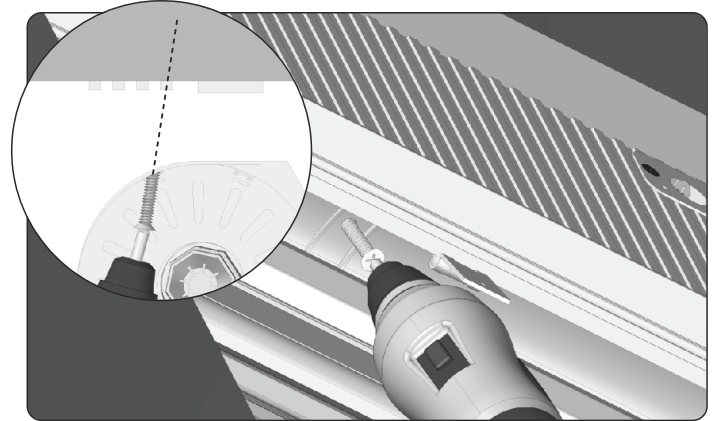
17. In the place delimited by earlier fixed reinforcement and the lifting yoke, attach the bottom part of the console to the window frame using screws (self-tapping screws are recommended).



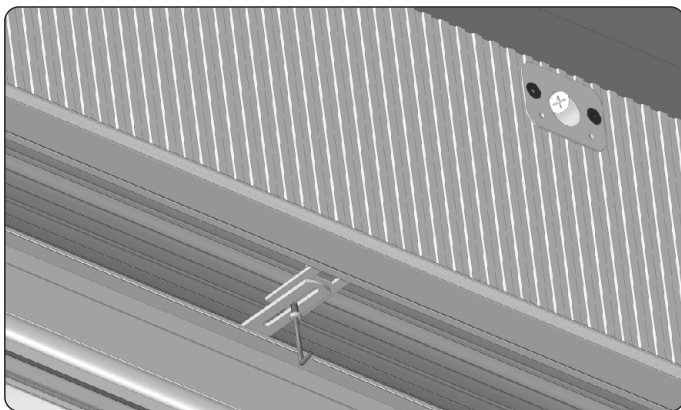
18. Attach the insulation material to the lifting yoke using glue. Leave sufficient space for the installation of the console as show in the picture. Continue installation of the box following steps 4-12



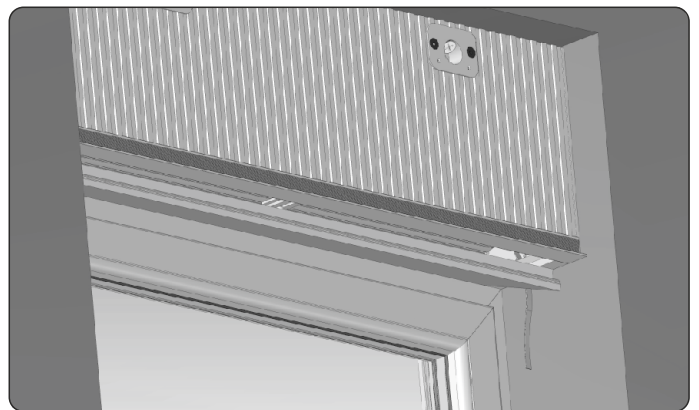
19. In the lintel, drill openings through the anchor and the box.



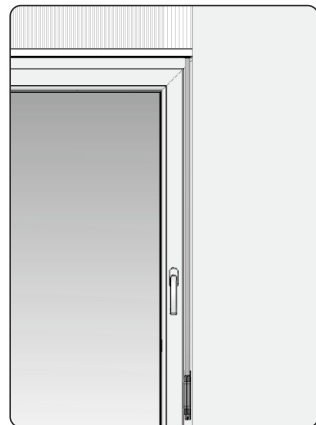
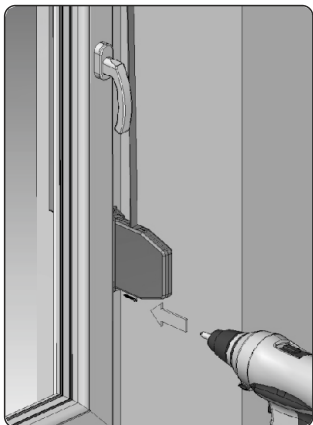
20. Next, anchor the console to the lintel using dowels.



21. Connect both parts of the console using M6 screws included in the set.



22. Close the revision (inspection) cover.

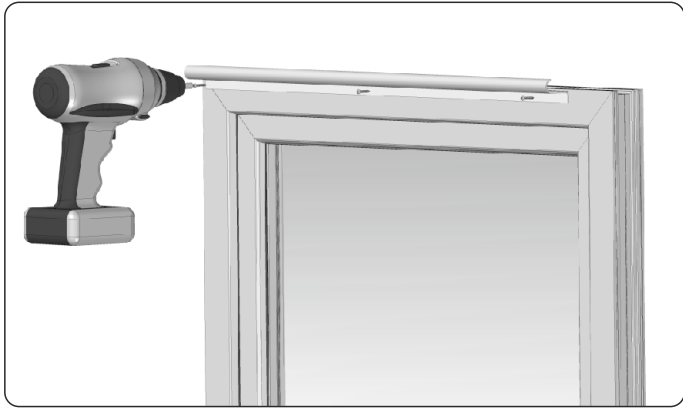


23. Winder should be situated at the level from 0.9m to 1.3m from the floor. Roll down the aluminium shutter profile, and then cut the tape so that its length is 25 cm below the position in which the winder is installed.

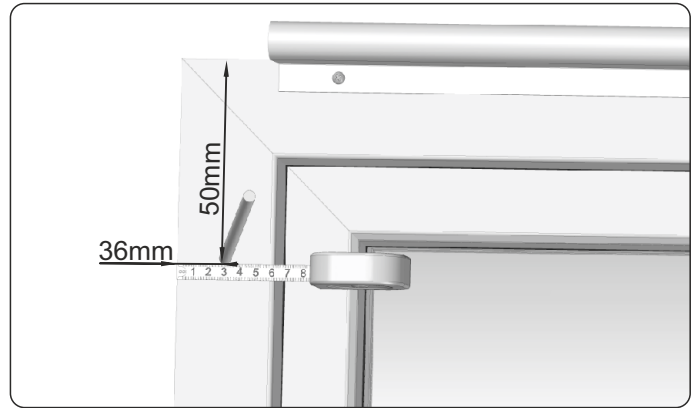
Extend the tape through the winder casing opening, cut the tape and hook to the clip. Holding tightly the spring casing, turn and release the winder stopper by pushing it. Close the winder and fix it to the wall. (see the installation manual of the tape winder).

In case of electrically driven roller shutters, connect power control elements and power supply in compliance with the installation manual of the drive/motor and according to the technical requirements applicable to such connections. All electrical elements should be connected by a properly licensed person.

EXTERNAL REVISION (INSPECTION) COVER



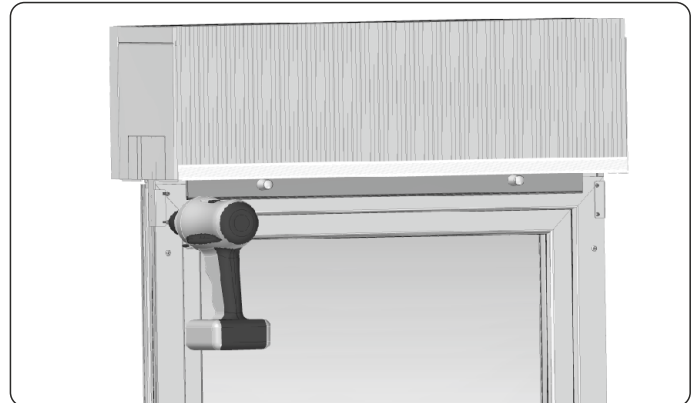
1. Fix the external revision (inspection) cover to the front of the window profile using bolts, as shown in the picture.



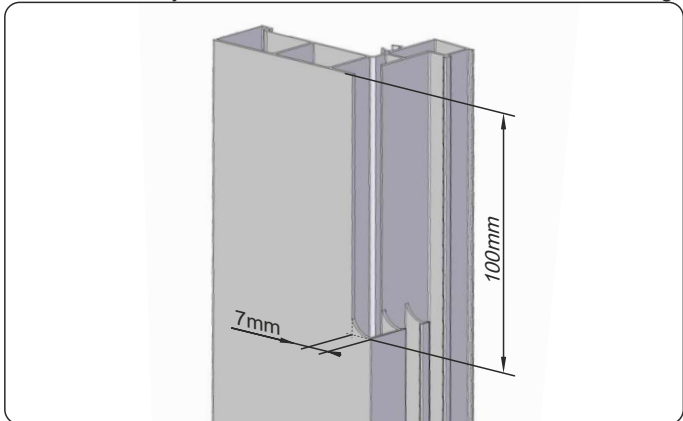
2. Choose where the fixing bolts (fix nipples) shall be fixed by measuring and marking the right distance from the frame edge, as shown above.



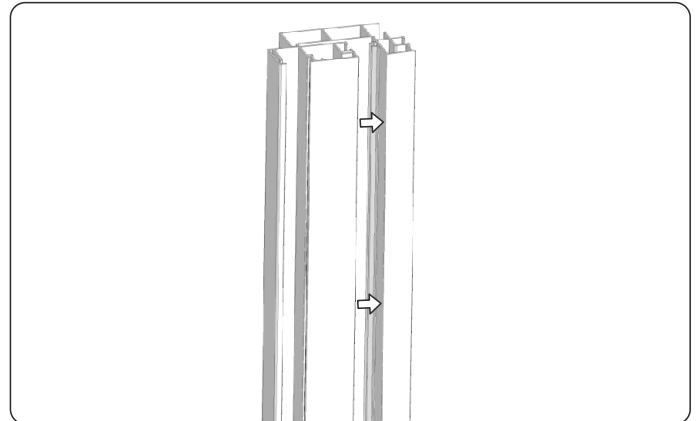
3. The fixing bolts (fix nipples) should be mounted approx. every 50 cm apart, however, there should be at least 3 of such bolts per each side, at the same time 5 cm distance from the bottom and upper edge of the window frame shall be observed. After tightening, loosen the bolt by $\frac{1}{4}$ of the revolution to facilitate insertion of the guide.



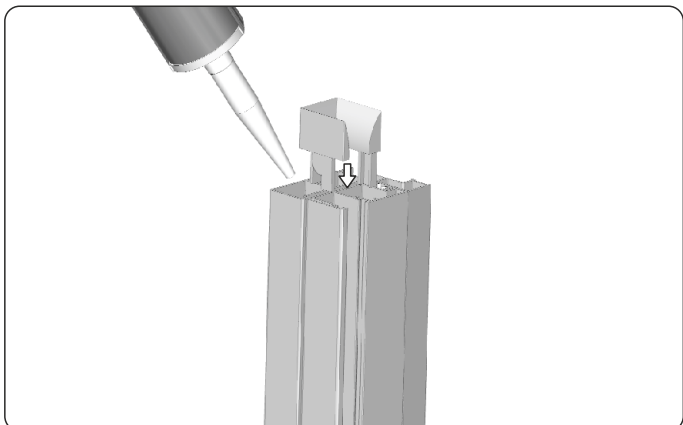
4. Fix the steel side handles to the window using self-tapping screws.



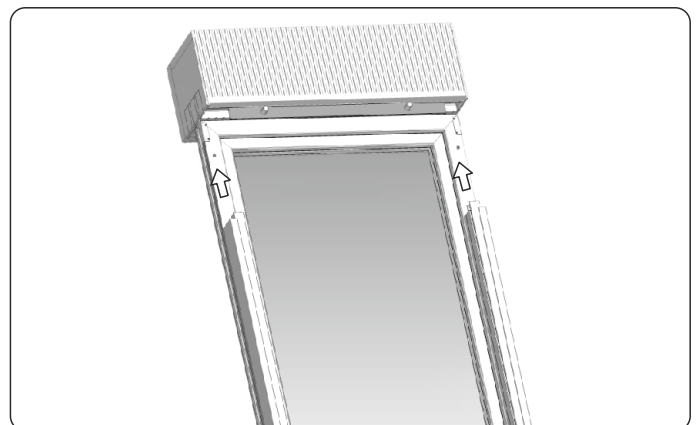
5. Before installation of the guides, an undercut shall be made in the upper part of the guide adapter for the steel side handle. All such undercuts are made in PORTOS.



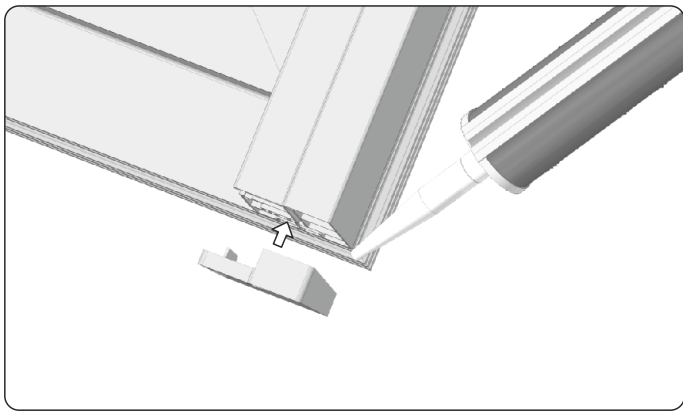
6. Slide the guides into the earlier prepared adapters.



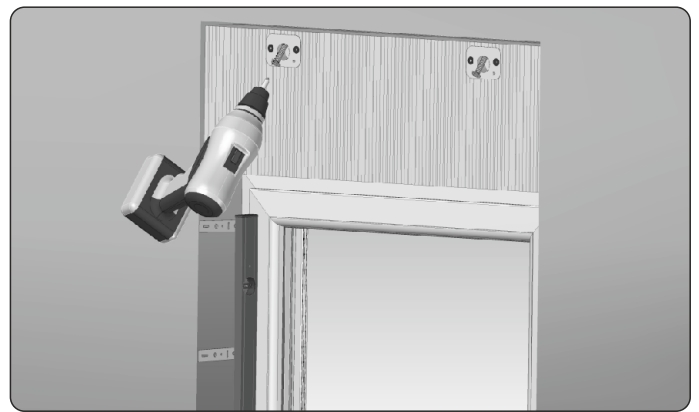
7. Insert sliders into upper parts of the guides, fixing them with glue.



8. Next, slide the adapters with guides over the earlier screwed to the window frame fix nipples.

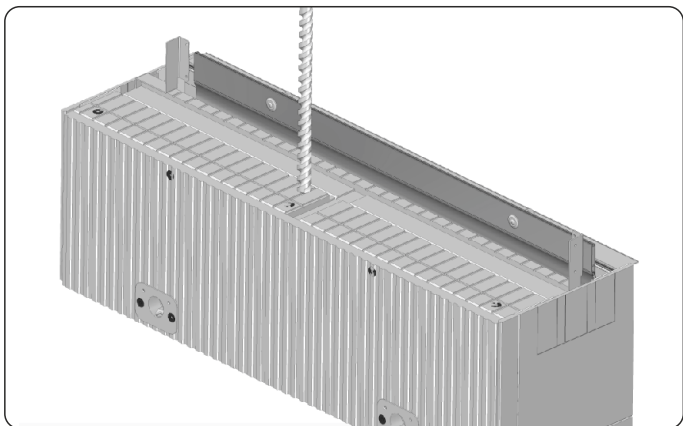


9. Place the bottom end caps over the guides and fix them with glue.

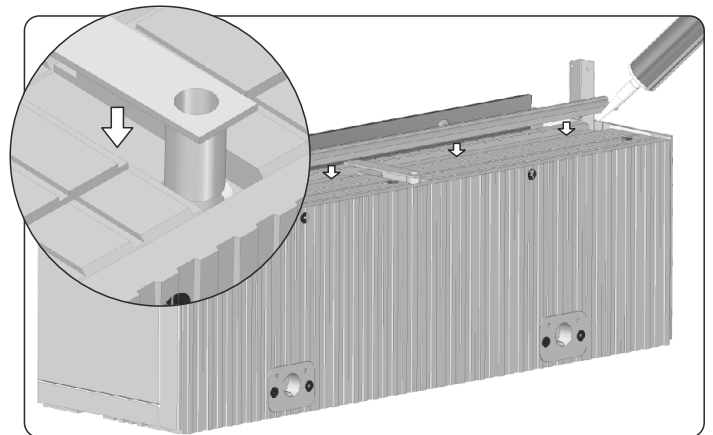


10. The ready set shall be installed in compliance with installation instructions in the earlier made recess. Before final anchoring of the shutters, their vertical and horizontal alignment shall be verified.

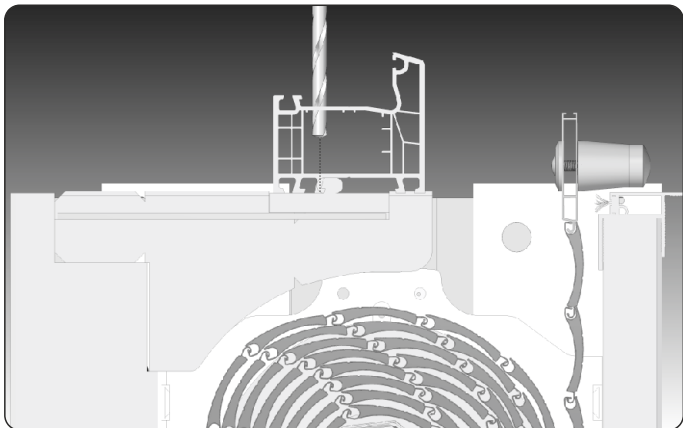
INSTALLATION OF A STATIC CONSOLE



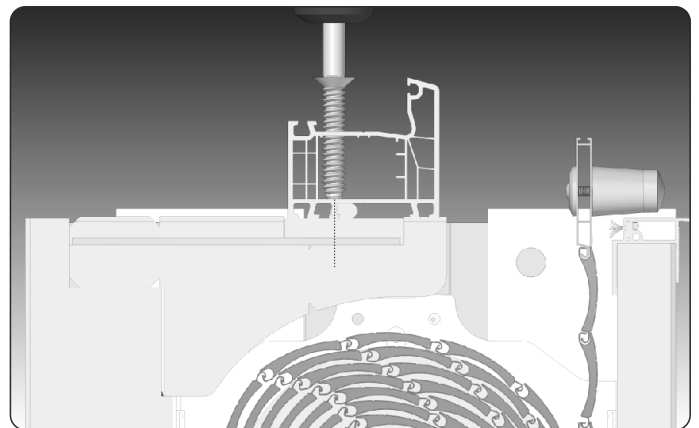
11. Before installation of the bottom fixing profile with a seal, an opening shall be drilled with a \varnothing 22 mm drill in order to fix the console handle.



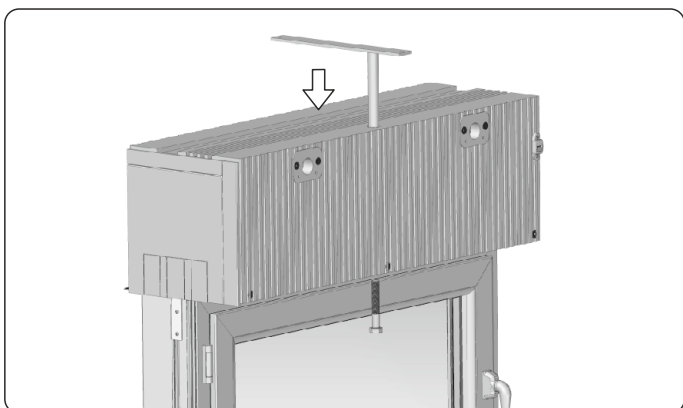
12. Insert the bottom element of the static console in the opening, then attach the bottom fixing profile to the seal using glue.



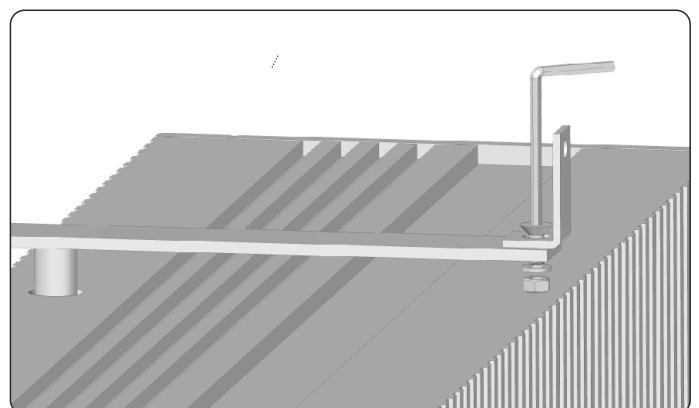
13. Use a \varnothing 6 mm drill to make a relevant opening in the window frame.



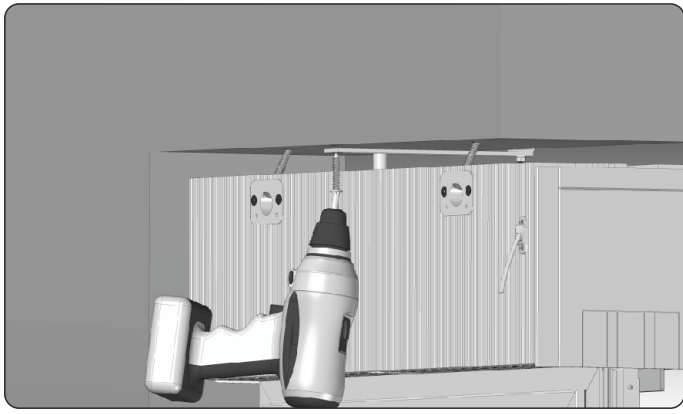
14. Using a 6mm self-tapping screw connect the window frame with the bottom part of the console.



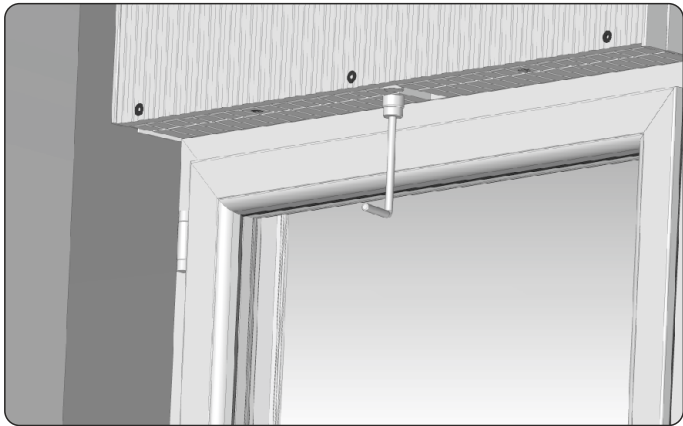
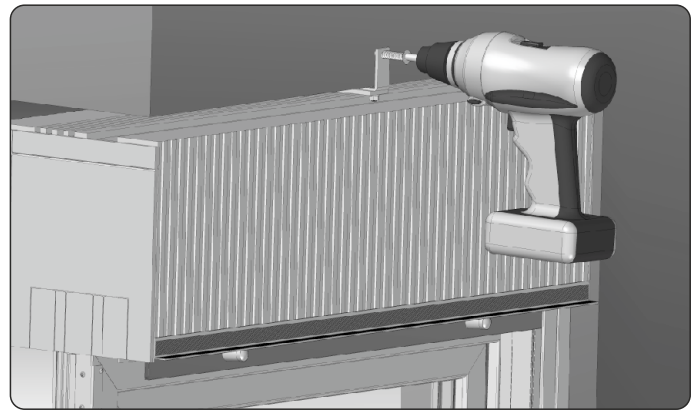
15. From the top of the box, insert the upper part of the console, then connect the whole console from the bottom of the box using a screw, as shown in the picture.



16. Fix the angle bracket to the upper part of the console using a screw and a nut.



17. Anchor the console in the upper part to the lintel from the inside and from the outside.



18. After fixing the upper part of the console, fix the bottom part by tightening the screws appropriately to obtain a rigid connection between the window and lintel.



**WARNING - FOR THE SAFETY OF PEOPLE, IT IS IMPORTANT
TO FOLLOW THIS INSTALLATION MANUAL.
KEEP THIS INSTALLATION MANUAL AT ALL TIMES.**



PORTOS TR7

spółka z ograniczoną odpowiedzialnością

ul. Złota 71

62-800 Kalisz

tel 62 768 40 11

E-mail: sekretariat@portosrolety.pl

www.portosrolety.pl